

# VELA 6

SPECIFICATION SHEET  
INDOOR

HIGH PERFORMING CYLINDER  
WITH SHROUD & DIFFUSER OPTIONS

## Housing

Diameter : Ø6.4" | Height : 13.6" | Weight : 11.2 lbs

## Material

Housing: High Pressure Die-Cast Aluminum Body, PC Shroud

## Power Input

50W, 75W, 100W | 120-277V

## Lumen Output

4,740 lm (50W), 7,110 lm (75W), 9,005 lm (100W)

## Dimming

Standard 0-10V: Dims to 10%

TRC: Line-voltage phase control, dims to 1% (120V only)

DALI: Dims to 10%

## Color Quality

CRI 85

## Rated Life

> 60,000 Hours (L70)

## Finish



Black



White

## Color Temperature



3000K



3500K



4000K

## Optics



80°

## Mounting



Stem  
Mount



Adjustable  
Cable



Surface  
Mount

## Warranty

5 Year limited warranty

## Listing



## All The Performance You Need In One Family

New high performing 6-inch aperture cylinder with lumen output of 4,470 lm – 9,005 lm.

Available in Aluminum Shrouds, Polycarbonate Shrouds, Translucent Polycarbonate Diffuser or Clear Polycarbonate Diffuser options.

Suitable for general illumination in a wide variety of project applications.



**SPECIFICATION**

<b>PROJECT NAME</b>	<b>DATE</b>
<input type="text"/>	<input type="text"/>
<b>CATALOG #</b>	<b>QUANTITY</b>
<input type="text"/>	<input type="text"/>

<b>VA6</b>	<b>MODEL</b>	<b>VELA 6</b>		
<input type="text"/>	<b>WATTAGE</b>	<b>50</b> 50W	<b>75</b> 75W	<b>100</b> 100W
<input type="text"/>	<b>CCT / CRI</b>	<b>308</b> 3000K / CRI 85	<b>358</b> 3500K / CRI 85	<b>408</b> 4000K / CRI 85
<b>UNV</b>	<b>VOLTAGE</b>	<b>UNV</b> 120 – 277V		
<input type="text"/>	<b>DIMMING</b>	<b>STV</b> 0-10V dims to 10%	<b>TRC</b> <sup>1</sup> Line-voltage phase control, dims to 1% (120V only)	<b>DALI</b> <sup>2</sup> DALI dims to 10%
<input type="text"/>	<b>TYPE</b>	<b>STD</b> Standard Cylinder <b>ALS22</b> Aluminum Shroud 22" <b>PCS22</b> Polycarbonate Shroud 22"	<b>ALS16</b> Aluminum Shroud 16" <b>PCS16</b> Polycarbonate Shroud 16" <b>TPD</b> Translucent Polycarbonate Diffuser	<b>ALS19</b> Aluminum Shroud 19" <b>PCS19</b> Polycarbonate Shroud 19" <b>CPD</b> Clear Polycarbonate Diffuser
<input type="text"/>	<b>FINISH</b> <sup>3</sup>	<b>BLK</b> Black	<b>WHT</b> White	
<input type="text"/>	<b>MOUNTING</b>	<b>SUM</b> Surface Mount <b>AD10</b> Adjustable Cable 10ft	<b>ST2</b> Stem 2ft <b>SAD10</b> Sloped Adjustable Cable 10ft	<b>ST4</b> Stem 4ft
<input type="text"/>	<b>ACCESSORIES</b>	<b>NO</b> No Accessories <b>ADB</b> <sup>7</sup> Aluminum Diffuser Band <b>FCS</b> Field Cut Stem Adapter Kit <b>NXB</b> <sup>10</sup> NX Radio Module Black	<b>SPD</b> <sup>4</sup> Surge Protector <b>EMP</b> Remote Emergency Pack <b>AWB</b> <sup>9</sup> Lutron Athena Wireless Module Black <b>NXW</b> <sup>10</sup> NX Radio Module White	<b>CON</b> <sup>5,6</sup> Conical Lens <b>CT</b> <sup>8</sup> Conduit Mount <b>AWW</b> <sup>9</sup> Lutron Athena Wireless Module White

<sup>1</sup> Option is only compatible with 120V and 50W  
<sup>2</sup> Option is only compatible with 75W  
<sup>3</sup> For image reference, see page 5. For special color requests, please contact your Meteor representative.  
<sup>4</sup> Surge protector for up to 10KV. Applicable for unstable mains or facilities using high-power machineries  
<sup>5</sup> CON can only be paired with ALS, PCS, FRS Types  
<sup>6</sup> Please factor in -15% change in lumen output with CON  
<sup>7</sup> Diffuser band comes in the same color as the luminaire and is only available with PCS16  
<sup>8</sup> CT only compatible with ST and AD mounting types  
<sup>9</sup> Option is only compatible with STV, SPV, DALI  
<sup>10</sup> Option is only compatible with STV, SPV

**TECHNICAL DETAILS**

**Electrical**

- 4,740 lm (50W), 7,110 lm (75W), 9,005 lm (100W)
- Power Input: Universal (120-277V)
- Operating Temperature: -13°F~112°F
- Surge Protection: Built-in is 4KV
- Remote Emergency Pack: Philips Bodine BSL20B2UEK55C111

**LED Features**

- Color Temperature: 3000K, 3500K, 4000K
- CRI ≥ 85
- Long lasting LED luminaire tested under TM21 lumen maintenance L70 @ 60,000 Hrs

**Optics**

- Beam Angle: 80°

**Advanced Dimming**

- Proprietary VX Driver™ is incorporated to all dimming options for video flicker-free lighting
- Standard 0-10V dims to 10%
- TRC : Line-voltage phase control, dims to 1% (120V only)
- DALI: Dims to 10%

**Housing**

- Diameter: Ø6.4"
- Material: High Pressure Die-Cast Aluminum, PC Shroud
- Height:
  - Standard - 13.6", Diffuser - 23.1"
  - Shroud 16" - 22.6"
  - Shroud 19" - 23.9"
  - Shroud 22" - 25.4"
- Weight:
  - Standard - 11.2 lbs, Diffuser - 12.6" lbs
  - Aluminum Shroud 16" - 14.1 lbs
  - Aluminum Shroud 19" - 17.2 lbs
  - Aluminum Shroud 22" - 21.2 lbs
  - Polycarbonate Shroud 16" - 13.2 lbs
  - Polycarbonate Shroud 19" - 16.3 lbs
  - Polycarbonate Shroud 22" - 18.3 lbs

**Mounting**

- Stem Mount 2ft or 4ft
- Surface Mount
- Adjustable Cable Mount 10ft
- Sloped Adjustable Cable Mount 10ft

**Warranty**

- 5-year limited warranty

**Listing**

- ETL Damp Location Listed
- FCC
- CE

**PERFORMANCE SUMMARY\***

	STD (Standard)		
CCT/WATTAGE	3000K	3500K	4000K
50W	4,470lm	4,600lm	4,740lm
75W	6,700lm	6,900lm	7,110lm
100W	8,490lm	8,735lm	9,005lm

\* Tolerance ±8%

	PCS (Polycarbonate Shroud)		
CCT/WATTAGE	3000K	3500K	4000K
50W	5,230lm	5,380lm	5,545lm
75W	7,840lm	8,070lm	8,320lm
100W	9,930lm	10,220lm	10,535lm

\* Tolerance ±8%

	ALS (Aluminum Shroud)		
CCT/WATTAGE	3000K	3500K	4000K
50W	4,965lm	5,110lm	5,270lm
75W	7,450lm	7,665lm	7,900lm
100W	9,435lm	9,710lm	10,010lm

\* Tolerance ±8%

	TPD (Translucent Polycarbonate Diffuser)		
CCT/WATTAGE	3000K	3500K	4000K
50W	2,750lm	2,830lm	2,920lm
75W	4,125lm	4,245lm	4,380lm
100W	5,225lm	5,380lm	5,545lm

\* Tolerance ±8%

**PERFORMANCE SUMMARY\***

CPD (Clear Polycarbonate Diffuser)			
<b>CCT/WATTAGE</b>	3000K	3500K	4000K
<b>50W</b>	3,550lm	3,655lm	3,765lm
<b>75W</b>	5,325lm	5,480lm	5,650lm
<b>100W</b>	6,745lm	6,940lm	7,155lm

EMP (Remote Emergency Pack)		
<b>CCT</b>	3000K	4000K
<b>Lumen</b>	1,760lm	1,890lm

\*Tolerance ±8%

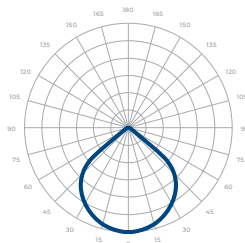
\*Tolerance ±8%

Current Consumption		
<b>WATTAGE / VOLT</b>	120V	277V
<b>50W</b>	0.46A	0.20A
<b>75W</b>	0.68A	0.30A
<b>100W</b>	0.92A	0.40A

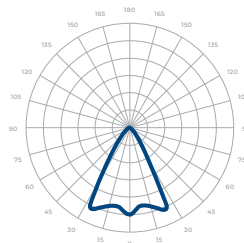
\*Tolerance ±8%

**PHOTOMETRICS**

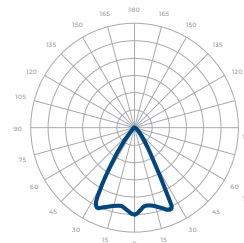
Below is a typical photometric representation of the Vela 6 fixture. Please download IES files to ensure exact photometric value.



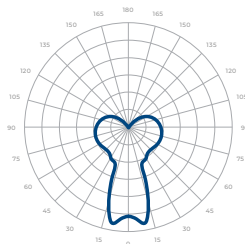
**STD (STANDARD)**



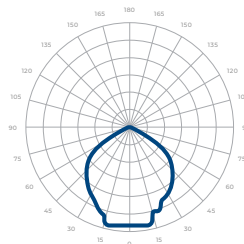
**PCS (POLYCARBONATE SHROUD)**



**ALS (ALUMINUM SHROUD)**



**TPD (TRANSLUCENT POLYCARBONATE DIFFUSER)**



**CPD (CLEAR POLYCARBONATE DIFFUSER)**

**VELA 6** HIGH PERFORMING CYLINDER  
WITH SHROUD & DIFFUSER OPTIONS

**COLOR FINISH**

---

Black Finish



White Finish



**ACCESSORIES**

---

Polycarbonate Shroud



Aluminum Shroud



Aluminum Diffuser Band



Aluminum Shroud  
With Conical Lens



Clear Polycarbonate Diffuser

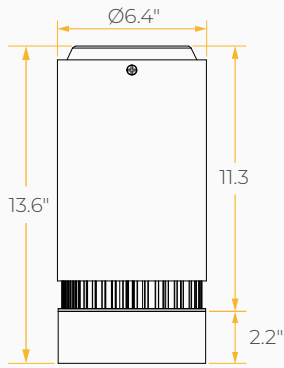


Translucent Polycarbonate Diffuser

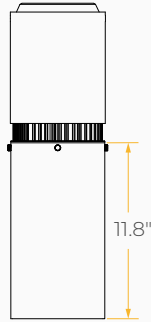


**DIMENSIONS**

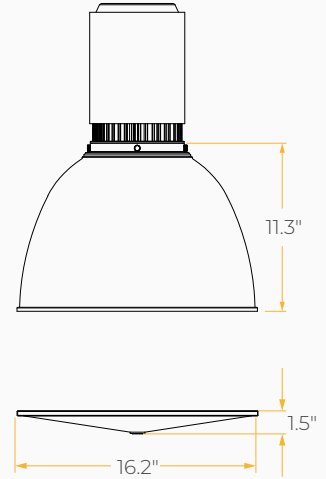
Standard Cylinder



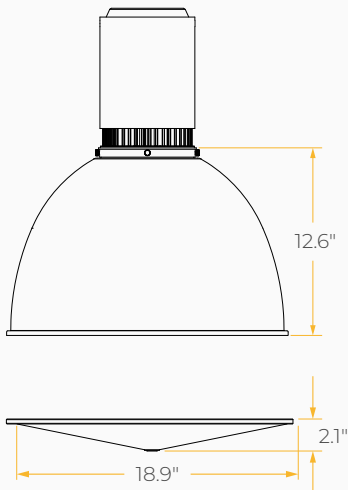
Clear Polycarbonate Diffuser / Translucent Polycarbonate Diffuser



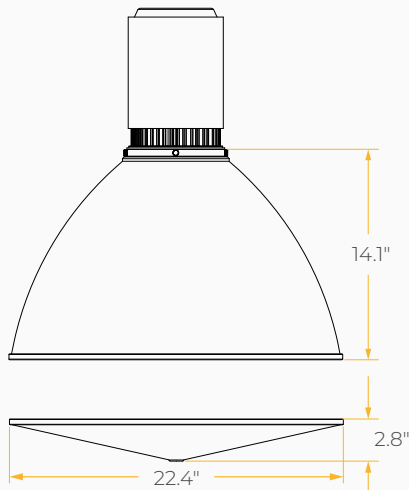
Aluminum Shroud / Polycarbonate Shroud 16"



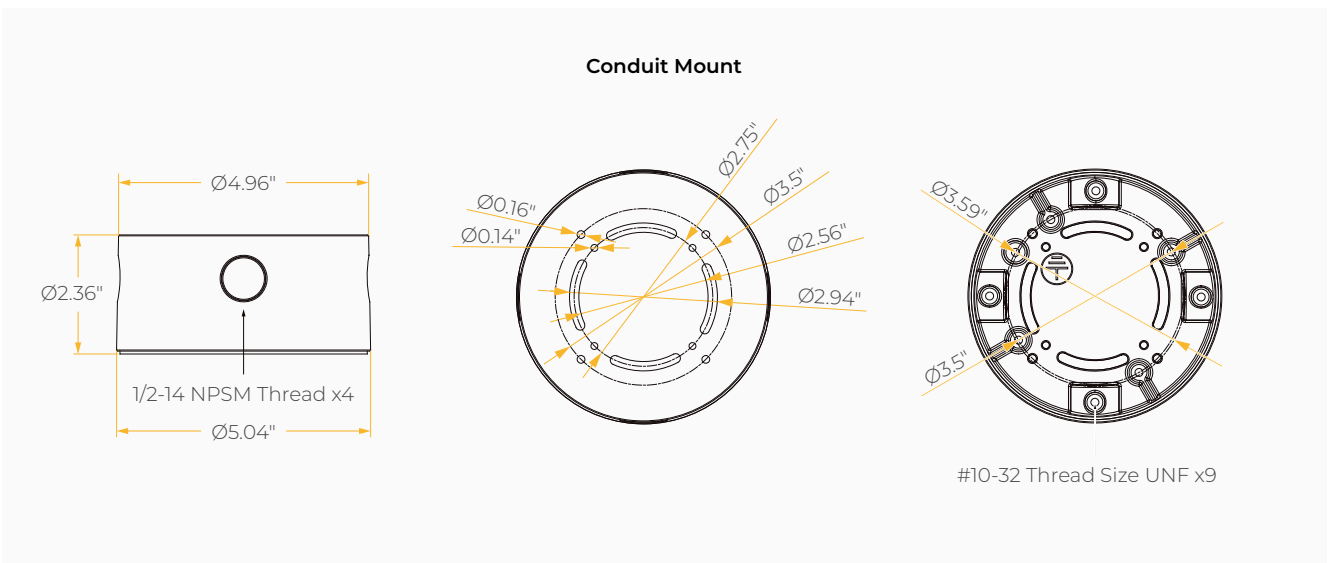
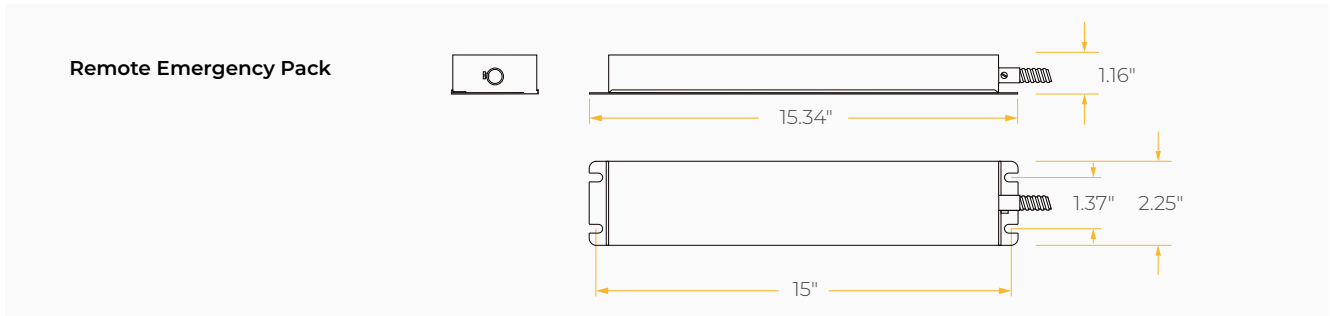
Aluminum Shroud / Polycarbonate Shroud 19"



Aluminum Shroud / Polycarbonate Shroud 22"

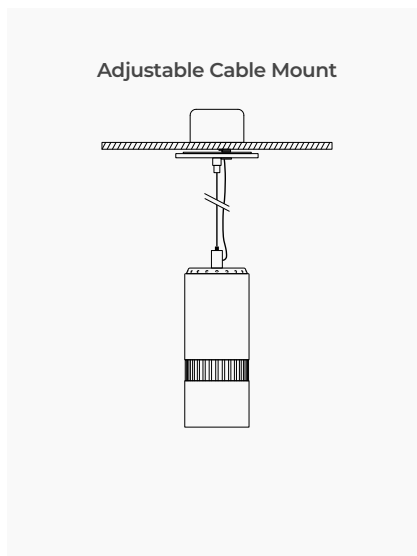
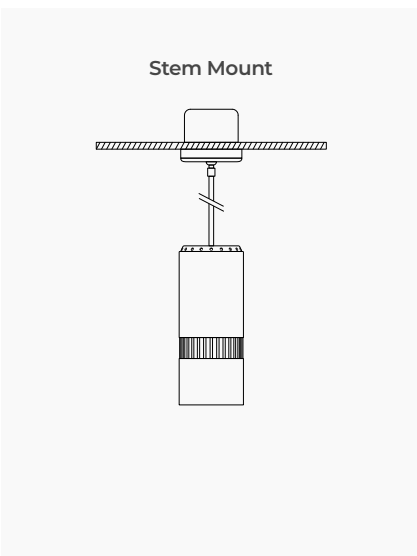


**DIMENSIONS**



**MOUNTING OPTIONS\***

\*Junction Box not included



**MOUNTING OPTIONS\***

---

*\*Junction Box not included*

