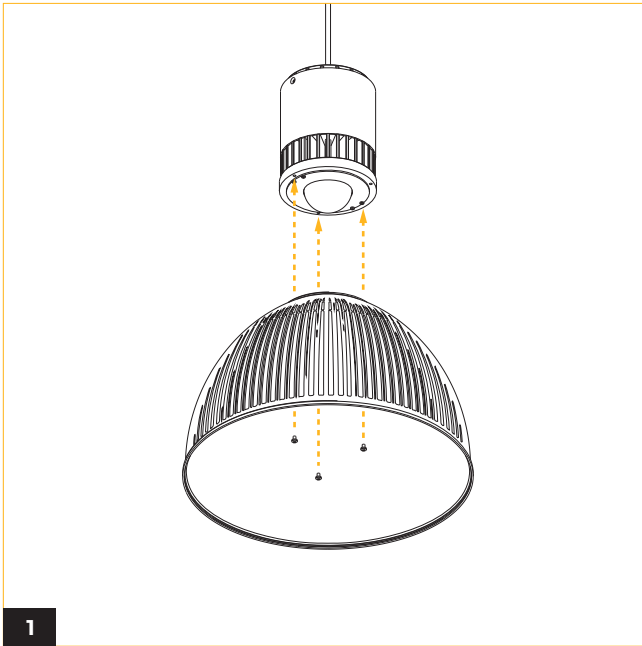


## **IMPORTANT SAFETY INFORMATION** READ AND FOLLOW ALL SAFETY INSTRUCTIONS

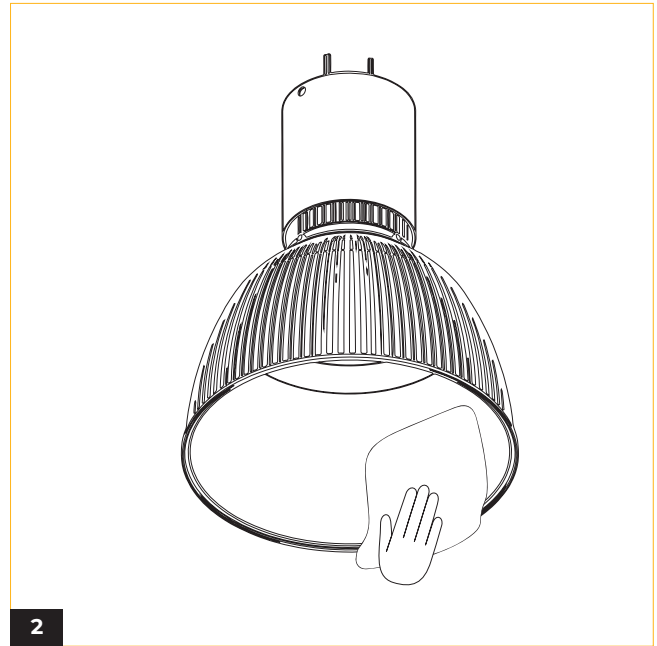
- Before wiring to power supply and during servicing or relamping, turn off power at fuse or circuit breaker.
- All servicing or relamping must be performed by qualified service personnel.
- Product must be grounded to avoid potential electric shock or other potential hazard.
- Product must be installed at locations and heights, in a manner consistent with its intended use, and in compliance with Electrical Code and local codes.

**SAVE THESE INSTRUCTIONS FOR FUTURE REFERENCE**

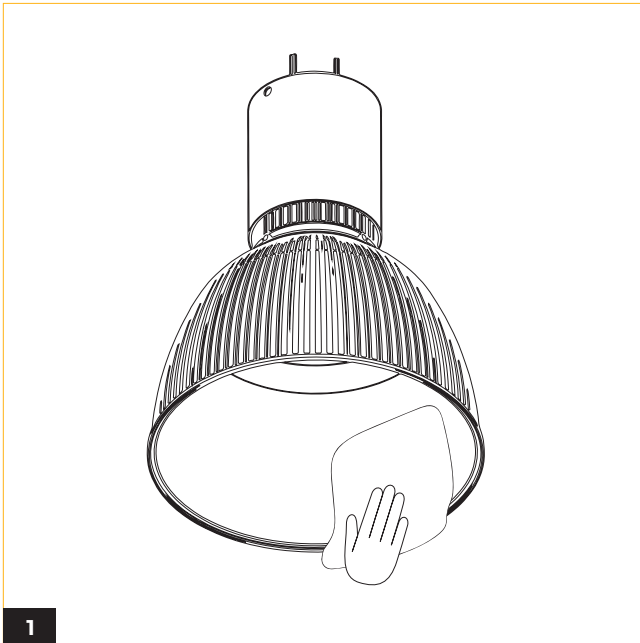


Bring shroud to the fixture level and align it to the indicated openings. Fasten shroud in place with three phillips screws.

\*Clean gloves must be worn to avoid dirt and fingerprints when installing the shroud and diffuser



Clean the interior and exterior surface using a soft rag with water.



1 Clean the interior and exterior surface using a soft rag with water.



2 When specifying the conical lens accessory. Cover the shroud with the conical lens plate and fasten in place using the provided metal band.