



# SOLAR LED BOLLARD

### Housing

Diameter : 9.45"x7.41" | Height : 38.6" | Weight : 22 lbs

### Material

Housing: Extruded Aluminum

### Operation Time

The solar LED bollard can operate for a minimum of 12 hours per day (dusk to dawn)

### Required Charge Time

Required charge time is 2-3 hours under direct sunlight, or 5-8 hours under overcast weather conditions for full battery capacity.

### Battery Capacity

At full battery capacity, the luminaire can operate continuously for 3 to 4 days under overcast weather conditions

### Finish



Black



Gray



Platinum silver

### Rated Life

> 100,000 Hours (L70)

### Color Temperature



3000K



4000K



5700K



Amber

### Distribution



Narrow



Wide

### Anchorage



Embedded



Surface Mounted

### Warranty

3 Year limited warranty

### Listing



IP65



## Architectural, Functional and Green Renewable.

Meteor's Solar LED bollard is the perfect architectural grade bollard for renewable and low maintenance applications. Featuring a smart motion sensor, variety of optic selections, and color temperature options, these Solar LED Bollards make it ideal for applications such as resorts, off-road hiking trails, shopping malls, and other exterior applications.



SPECIFICATION SHEET

**SP-7** SOLAR  
LED BOLLARD



**SPECIFICATION**

PROJECT NAME

DATE

CATALOG #

QUANTITY

<input type="text"/>	MODEL	<b>SP7</b> SP-7	<b>SP7S</b> SP-7s
<input type="text"/>	CCT/CRI	<b>30K</b> 3000K <b>AMB</b> Amber	<b>40K</b> 4000K <b>57K</b> 5700K
<input type="text"/>	FINISH	<b>BLK</b> Black	<b>GRY</b> Gray <b>PTS</b> Platinum Silver
<input type="text"/>	DISTRIBUTION	<b>NR</b> Narrow	<b>WD</b> Wide
<input type="text"/>	ANCHORAGE	<b>AKE</b> Embedded	<b>AKS</b> Surface Mounted
<input type="text" value="1S"/>	OPTIONS	<b>1S</b> 1 Sensor	

**TECHNICAL DETAILS**

**Electrical**

- 71.4lm (0.62W), Efficacy: 111 lm/W
- Drive Current: 125mA Constant Current
- Operating Temperature: -40°F~140°F
- Controls: Meteor Solar Controller System 5V 2A
- Solar Panel: High-efficiency crystalline silicon (1 x 8W), Lifespan: 20 years
- Power Storage: Panasonic Eneloop battery 6Ah. 3.6Vdc, Lifespan: 8 - 10 years

**LED Features**

- Color Temperature: 3000K, 4000K, 5700K, Amber
- Long lasting LED luminaire tested under TM21 lumen maintenance L70 @ 100,000 Hrs

**Operational**

- Require charge time is 2-3 hours under direct sunlight, or 5-8 hours under overcast weather conditions.
- The solar LED bollard can operate for a minimum of 12 hours per day
- With a full charge, the unit can operate continuously for 3 to 4 days, even during rainy weather.
- Auto photo sensor switch: Dimming mode is set at 33% brightness and lights to 100% brightness for 1 minute when motion sensor is activated.
- On/Off Sensor: Luminaire auto turns on at 1.5fc / auto turns off at 3fc

**Optics**

- Distribution: Narrow, Wide

**Housing**

- Diameter: 9.45"x7.41" (SP-7), 7.87"x7.41" (SP-7s)
- Height: 38.6" (SP-7), 24.8" (SP-7s)
- Material: Extruded aluminum
- Finish: Black, Gray, Platinum silver
- Weight: 22 lbs (SP-7), 15.5 lbs (SP-7s)
- Anchorage: Anchor base with stainless steel anti-theft screws

**Mounting**

- Embedded
- Surface mounted

**Warranty**

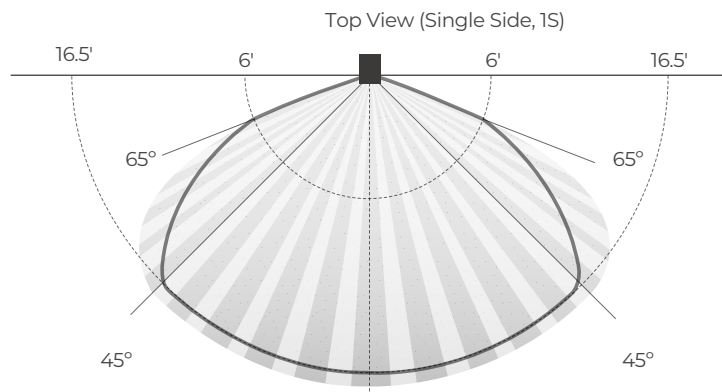
- 3-year limited warranty

**Listing**

- IP65
- FCC

**MOTION SENSOR DETECTION**

SP-7 Smart Solar Illuminating Bollard incorporates the latest infrared motion sensor. The high performance motion sensor detects abrupt changes in temperature within a 16.5' radius. Movement within designated radius is necessary to trigger sensor to turn on.

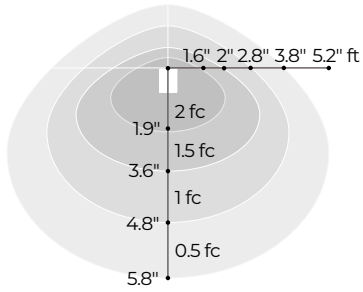


SPECIFICATION SHEET

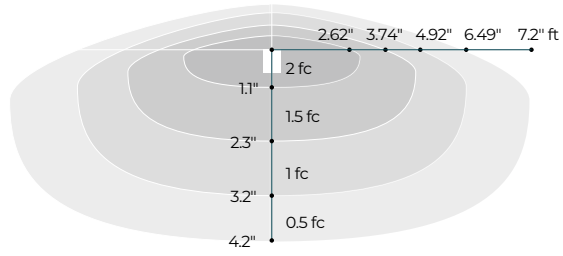
**SP-7** SOLAR LED BOLLARD



**DISTRIBUTION**



Narrow



Wide

**DIMENSIONS**

