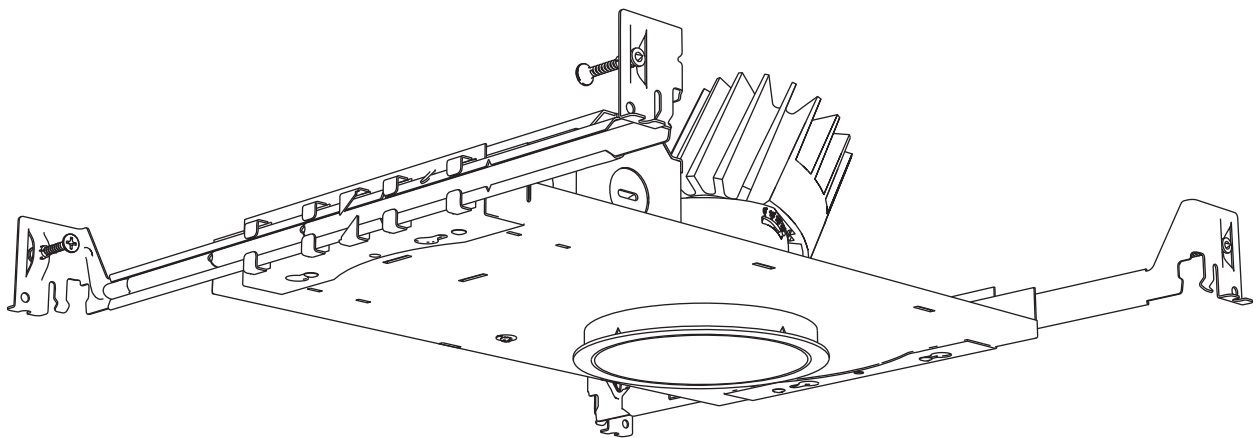


REV FLEX 4 & 6

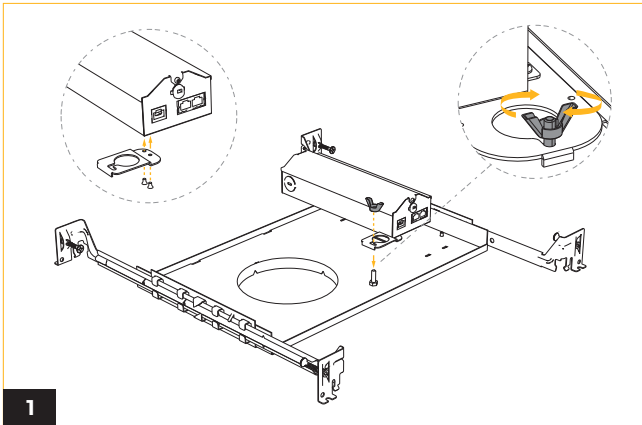
INSTALLATION GUIDE
NEW CONSTRUCTION



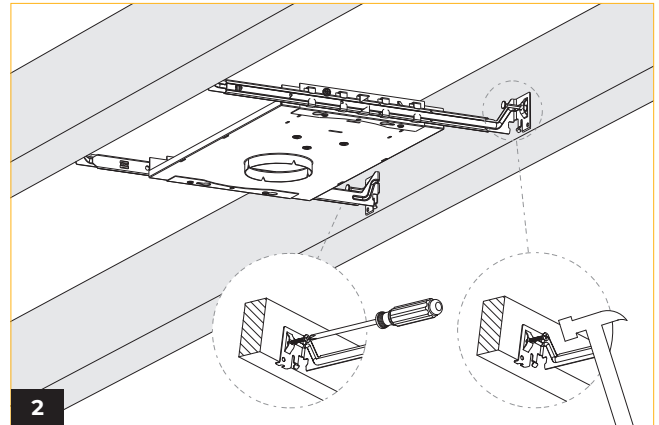
IMPORTANT SAFETY INFORMATION READ AND FOLLOW ALL SAFETY INSTRUCTIONS

- Before wiring to power supply and during servicing or relamping, turn off power at fuse or circuit breaker.
- All servicing or relamping must be performed by qualified service personnel.
- Product must be grounded to avoid potential electric shock or other potential hazard.
- Product must be installed at locations and heights, in a manner consistent with its intended use, and in compliance with Electrical Code and local codes.

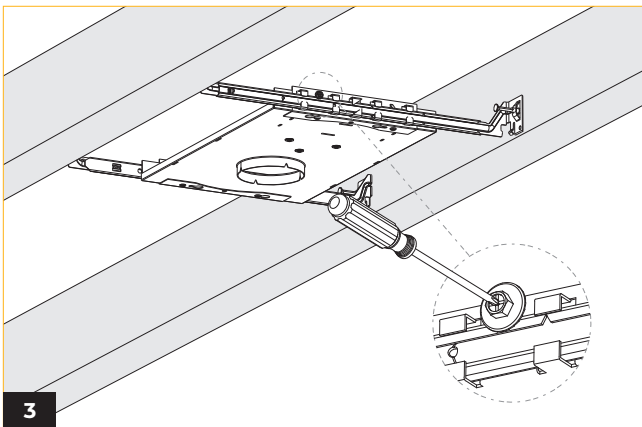
SAVE THESE INSTRUCTIONS FOR FUTURE REFERENCE



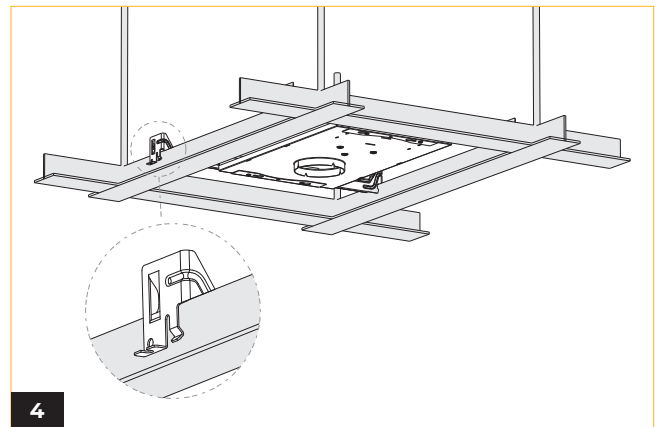
1
Fasten the mounting plate onto the power box by inserting and tightening two screws. Then, install the power box onto the new construction plate and secure it firmly in place using a wing nut.



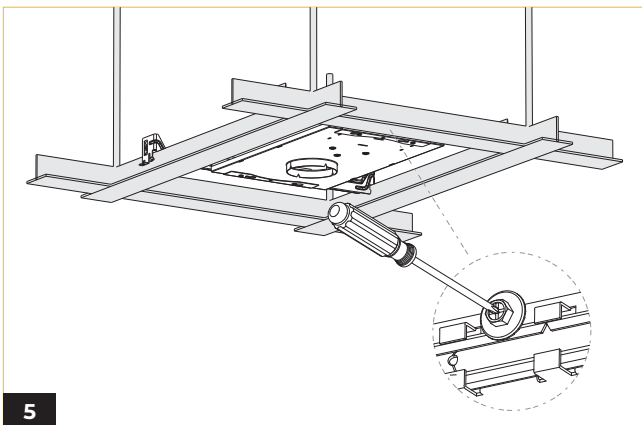
2
For installation on a wooden structure, extend the two support rails on the sides to a suitable length. Utilize the pre-installed screw/nails on the rails by either screwing or hammering them in until they are firmly fixed.



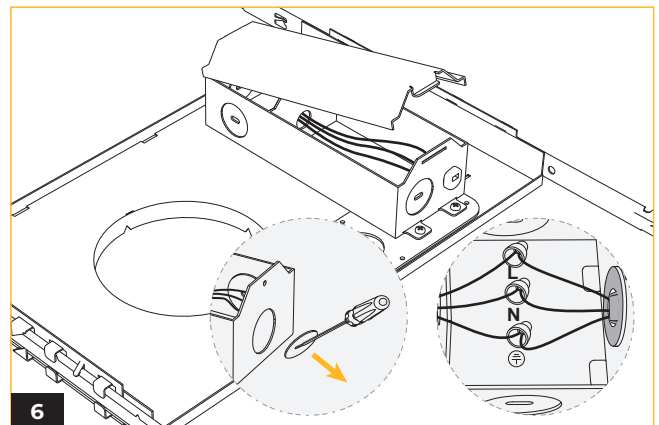
3
After securing the screw/nails in place, tighten the screws on the support rails to lock them from moving.



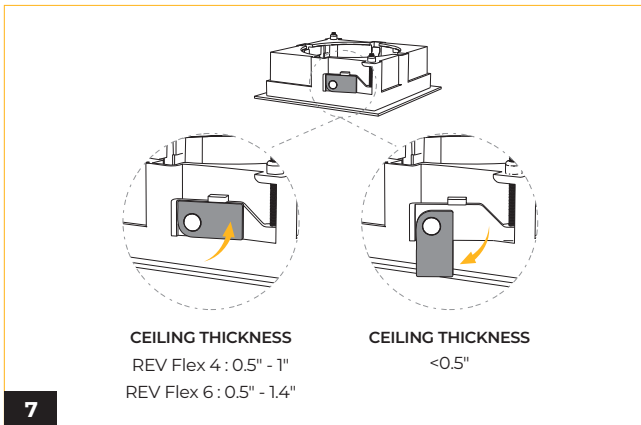
4
For installation on a grid structure, extend the two support rails on the sides to an appropriate length and secure them by hooking onto the beams.



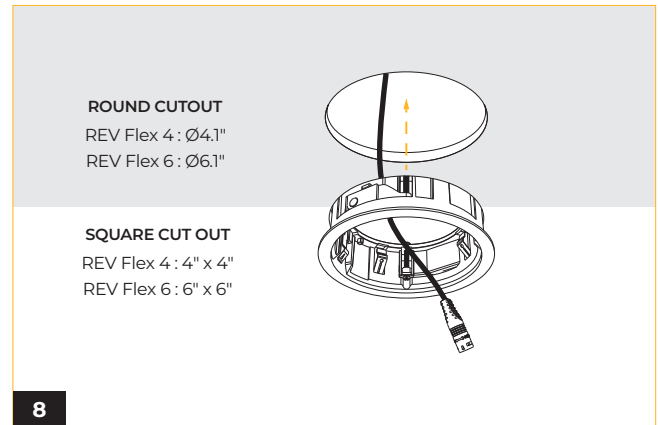
5
After securing the support rails in place, tighten the screws on the support rails to lock them from moving.



6
Remove knockout and establish connections between the power box and the electrical connection. (Refer to wiring diagram)

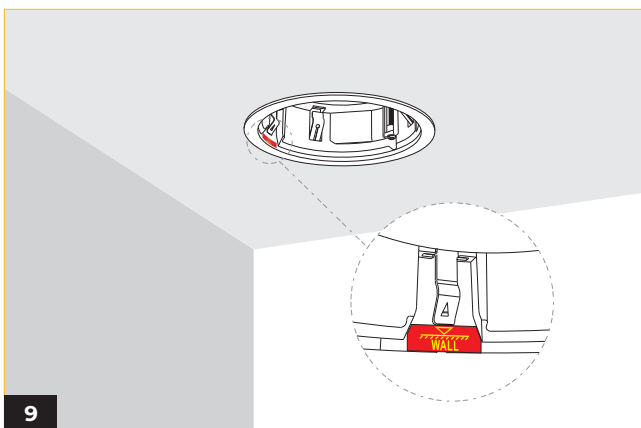


For installation of other bezel types, align the mounting tabs to the appropriate position according to ceiling thickness.

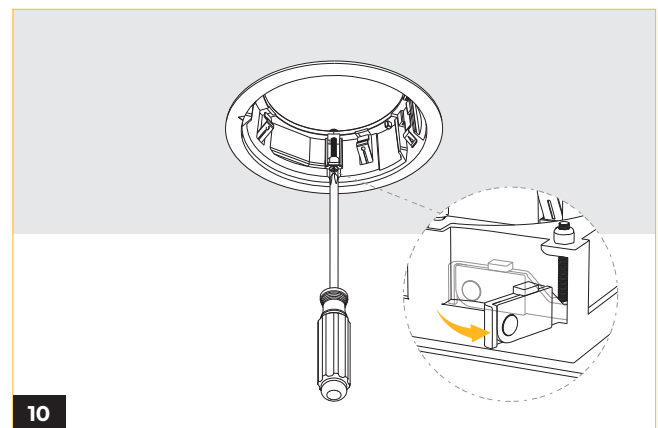


Insert the frame through the ceiling cut out.

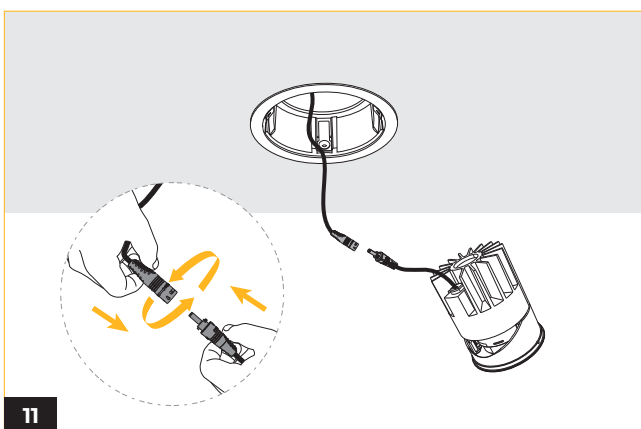
**For installation of other types of bezels and trims, read the other sections of the manual for specific instructions.*



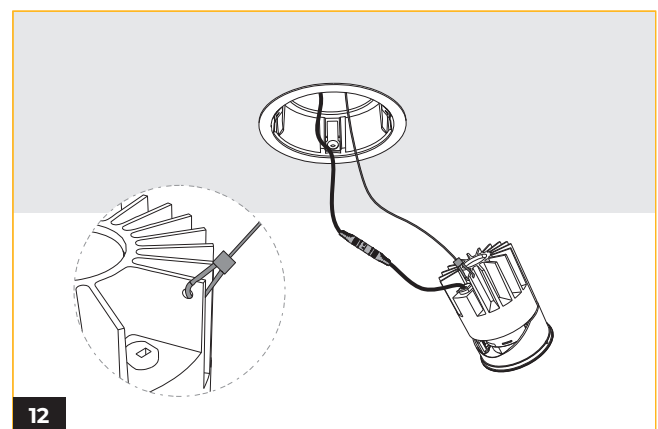
For wallwash bezel installation, align the red labeled indicator so that it faces towards the wall.



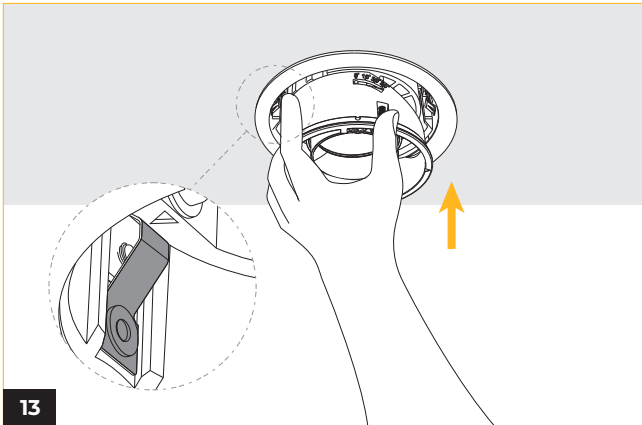
Use a Phillips screwdriver to expand the two mounting tabs and secure the bezel frame in place.



Establish the electrical connection between the power box and the fixture using a quick-connect wire connector. Plug the connector into place and twist until it is secure.

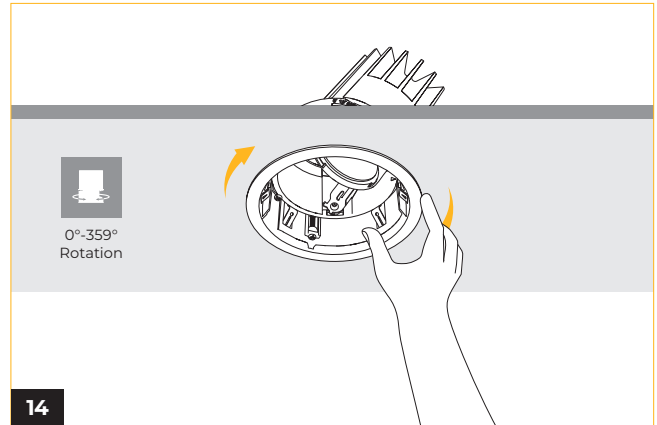


For REV Flex 6, a safety cable is included and attached to the bezel frame. Hook the other end of the cable to the hole located next to the power cable on the light engine.



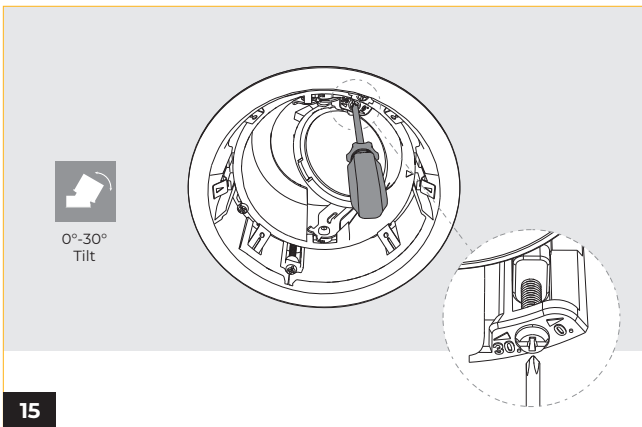
13

Install the light engine from below ceiling until it is securely fastened by the springs on the bezel frame. The secure engagement should produce a distinct clicking sound, indicating proper installation.



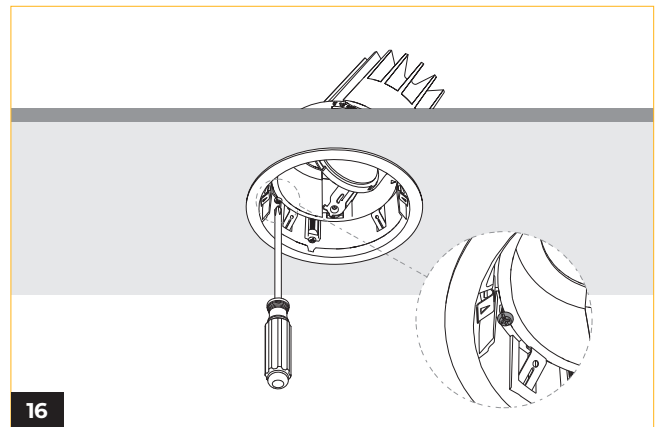
14

Direct the light in the desired direction by rotating the fixture.



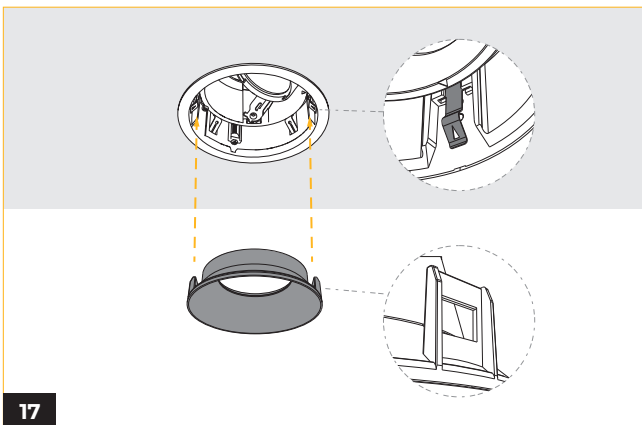
15

Use a Phillips screwdriver to adjust the screw and change the tilt of the fixture to direct the light to the desired location.



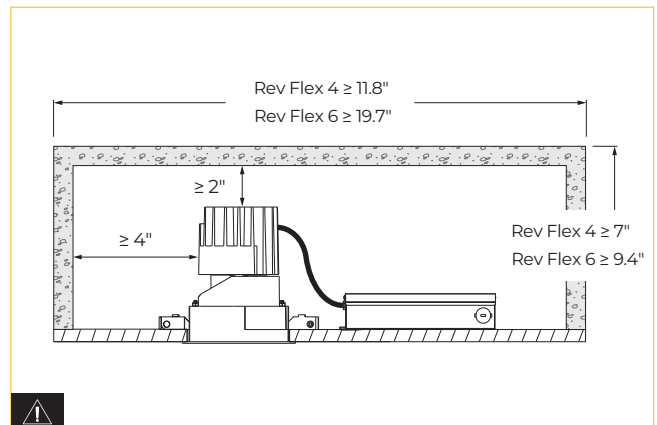
16

After setting the fixture to the desired direction, use a Phillips screwdriver to tighten the screw located between the bezel frame and the light engine, thus preventing any rotation of the fixture.



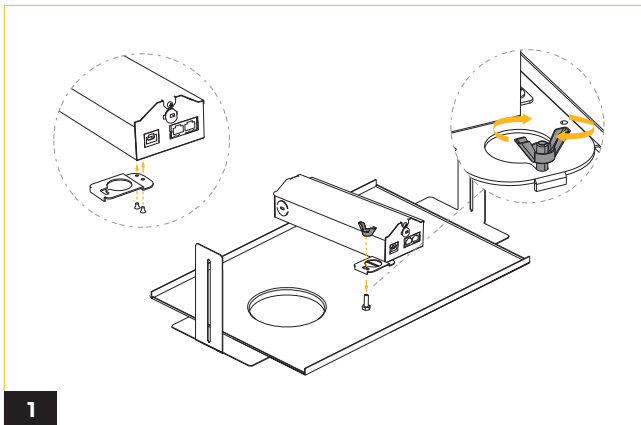
17

Install the trim by aligning the two clip inserts with the springs on the bezel frame. Push the trim into place until it is firmly secured by the springs on the bezel frame.

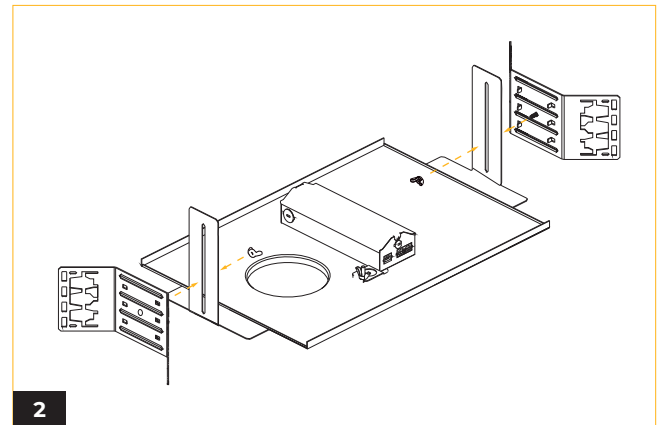


18

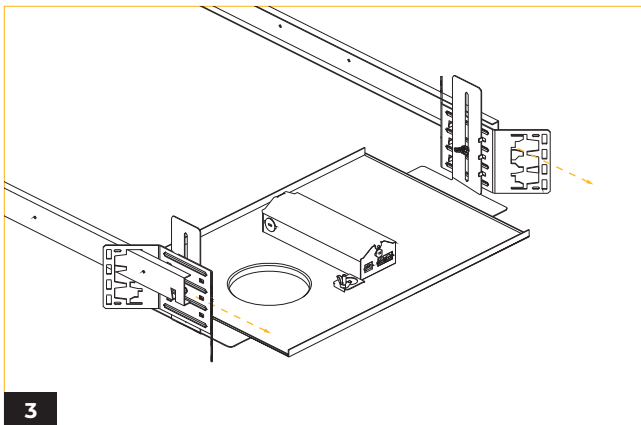
Maintain an adequate amount of clearance around the lighting fixture to ensure proper heat dissipation.



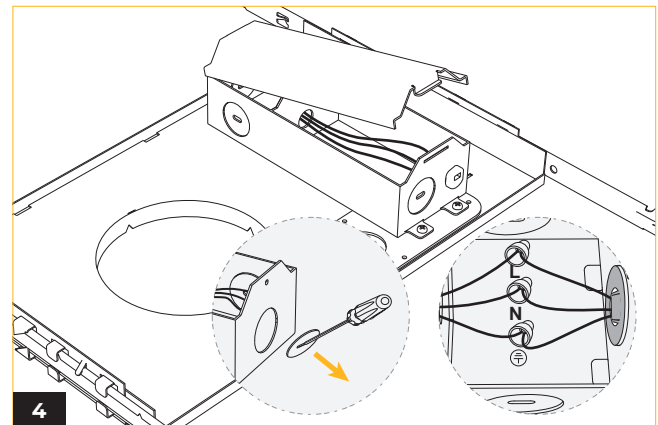
1
Fasten the mounting plate onto the power box by inserting and tightening two screws. Then, install the power box onto the new construction plate and secure it firmly in place using a wing nut.



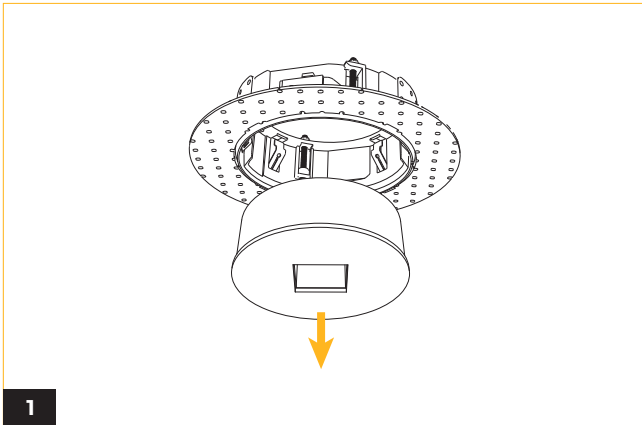
2
Align and attach the butterfly bracket to the side rail. Secure the butterfly bracket by screwing in the provided wing nut from behind.



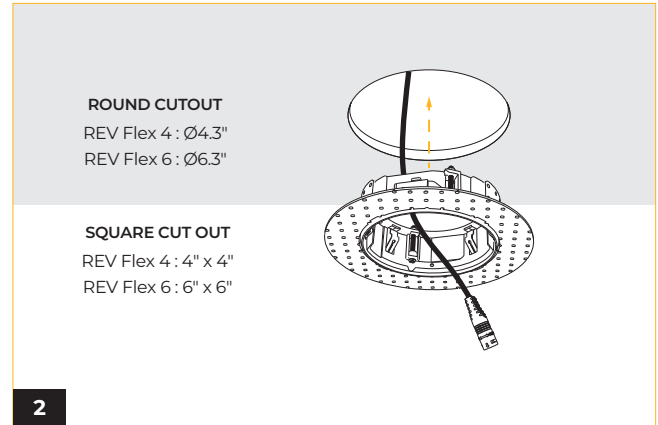
3
Install fixture using universal mounting bracket with slots for C-Channel (by others), bar hanger (by others) and 1/2" EMT (by others). Secure to joist or grid using hardware or wire. Adjust height as needed.



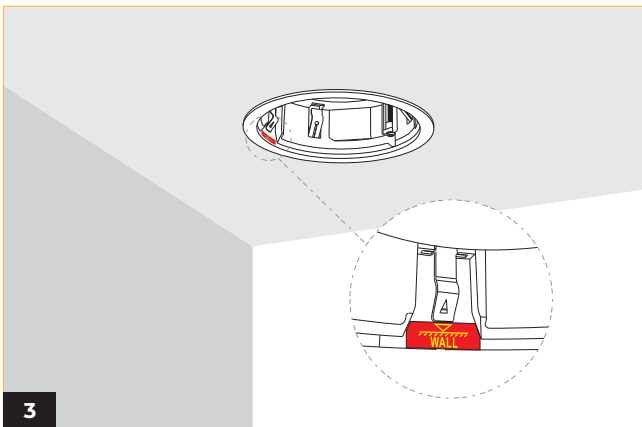
4
Proceed with the remainder of the installation, following the instructions outlined in 'New Construction Step 6' on Page 2.



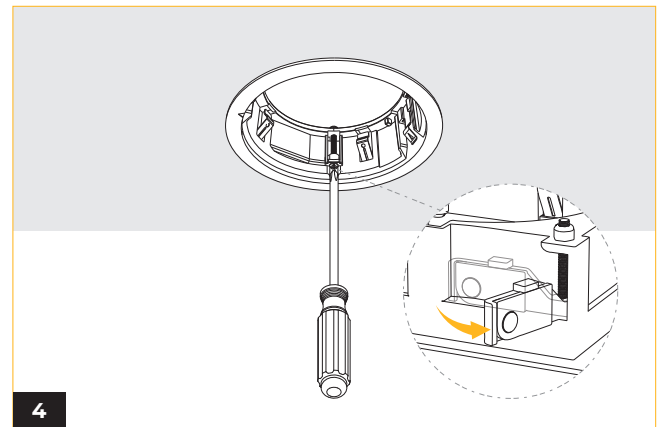
1 Remove the protective foam from the frame and retain it for later use.



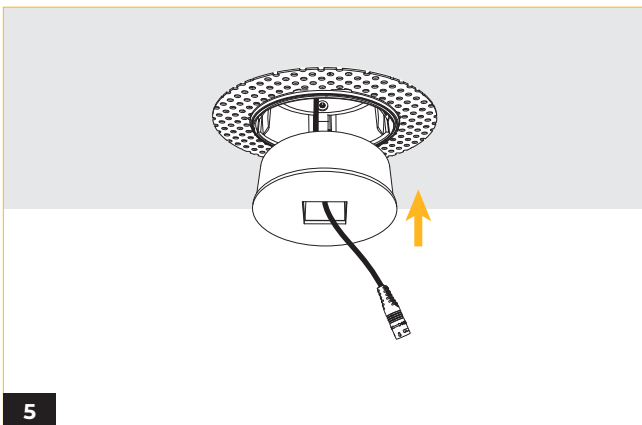
2 Insert the frame through the ceiling cut out.



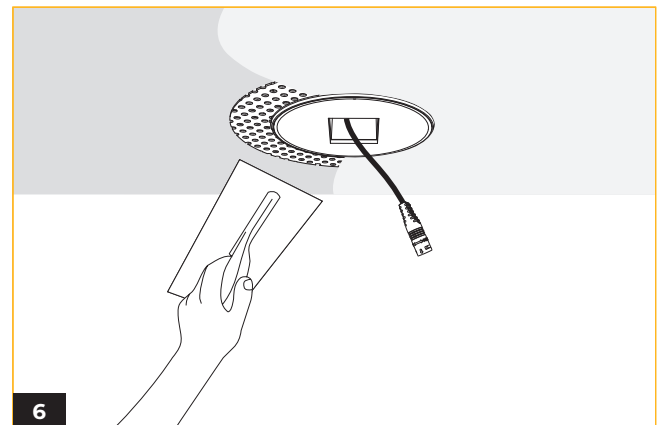
3 For wallwash bezel installation, align the red labeled indicator so that it faces towards the wall.



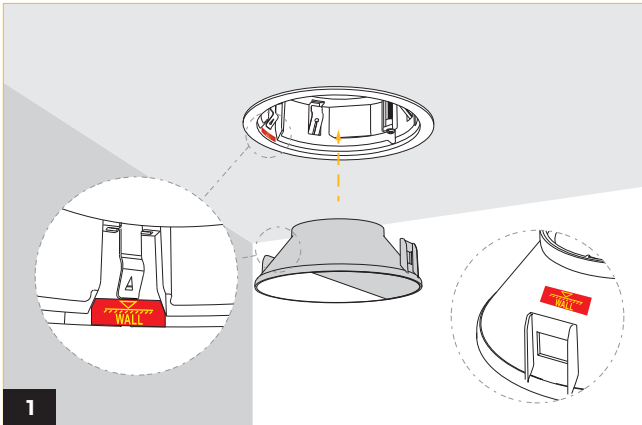
4 Use a Phillips screwdriver to expand the two mounting tabs and secure the bezel frame in place.



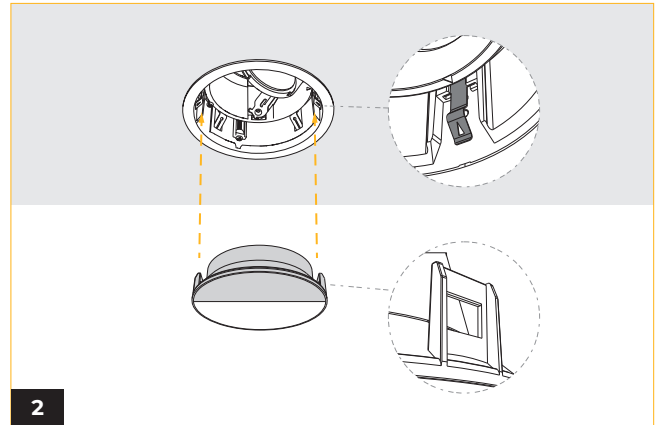
5 Place the protective foam back into the frame.



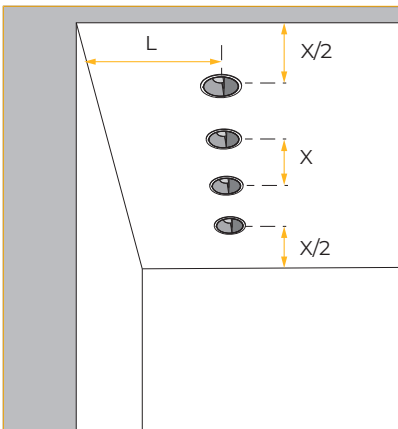
6 Spread the plastering compound evenly around the frame and smooth it out to create a flat surface on the ceiling. Once finished, remove the protective foam and proceed with the rest of the installation.



Align the wallwash bezel with the frame, make sure that the red labeled indicator on the frame and the wallwash bezel align with each other for proper direction during installation.

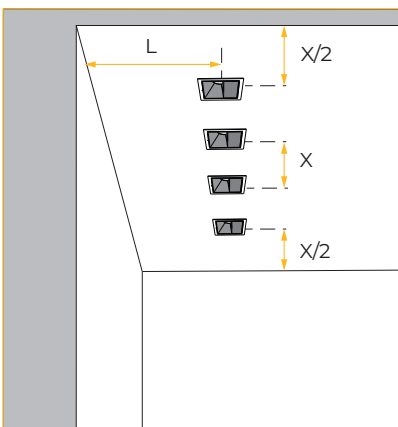


Install the trim by aligning the two clip inserts with the springs on the bezel frame. Push the trim into place until it is firmly secured by the springs on the bezel frame.



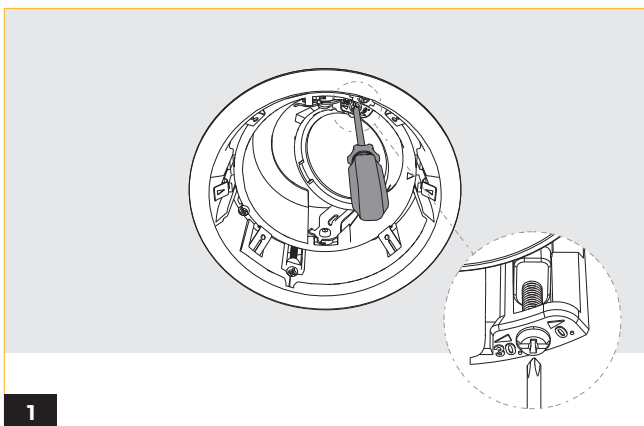
REV Flex 4 & 6 Round															
L (inch)	20"	24"	26"	28"	30"	32"	34"	36"	38"	40"	42"	44"	46"	48"	50"
X (inch)	20"	24"	26"	28"	30"	32"	34"	36"	38"	40"	42"	44"	46"	48"	50"

Our recommended installation distances between fixtures for achieving a uniform lighting effect.

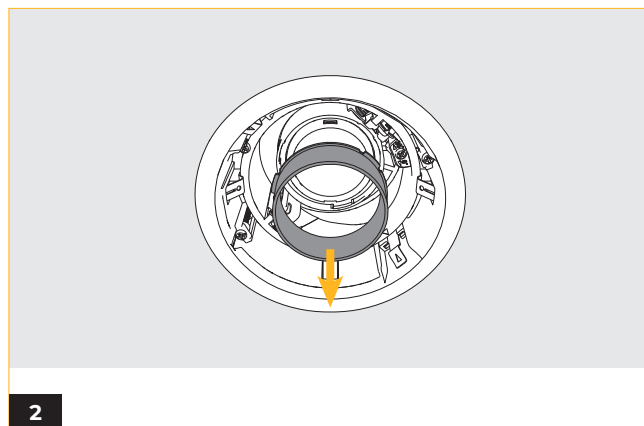


REV Flex 4 & 6 Square															
L (inch)	20"	24"	26"	28"	30"	32"	34"	36"	38"	40"	42"	44"	46"	48"	50"
X (inch)	24"	26"	28"	30"	32"	34"	36"	38"	40"	42"	44"	46"	48"	50"	52"

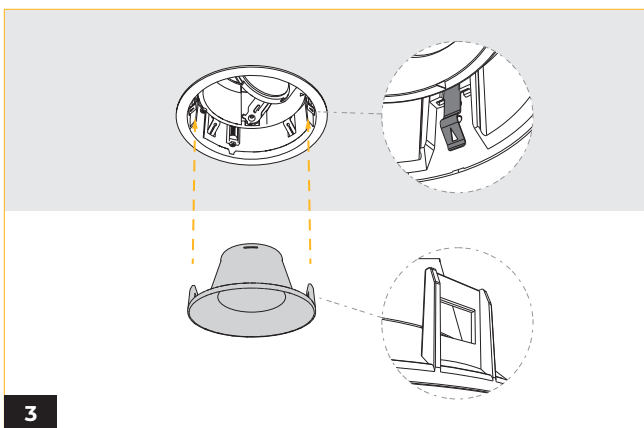
Our recommended installation distances between fixtures for achieving a uniform lighting effect.



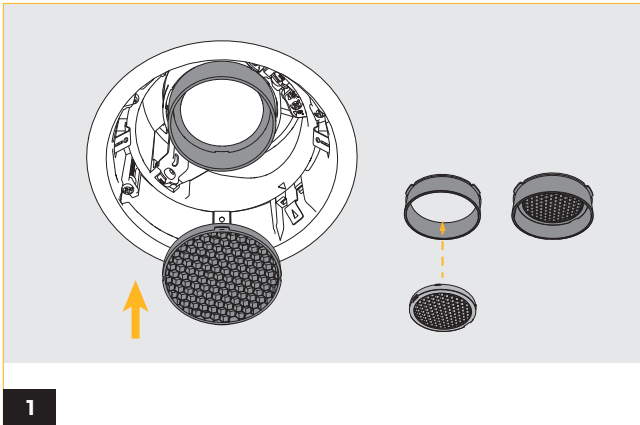
Use a Phillips screwdriver to adjust the screw and change the tilt of the fixture to 0 degrees.



Remove the anti-glare shield by applying pressure to its sides until the clip mechanism releases.



Install the trim by aligning the two clip inserts with the springs on the bezel frame. Push the trim into place until it is firmly secured by the springs on the bezel frame.

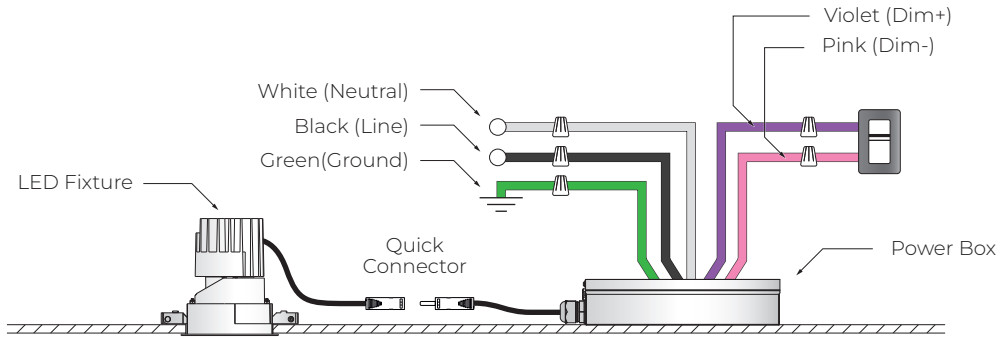


1
Install the honeycomb louver by inserting it into the anti-glare shield until it is firmly secured by the clip mechanism.

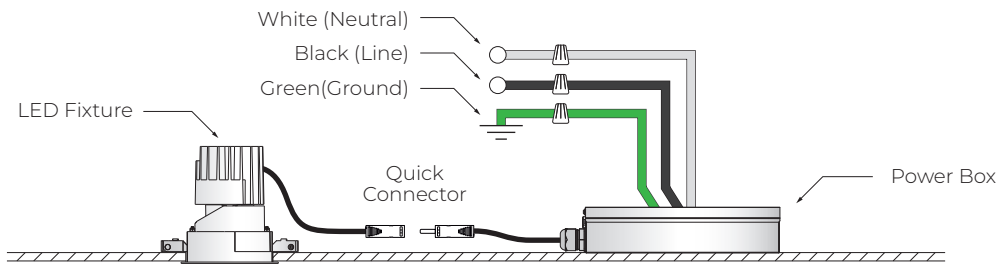
WIRING DIAGRAM

SPV

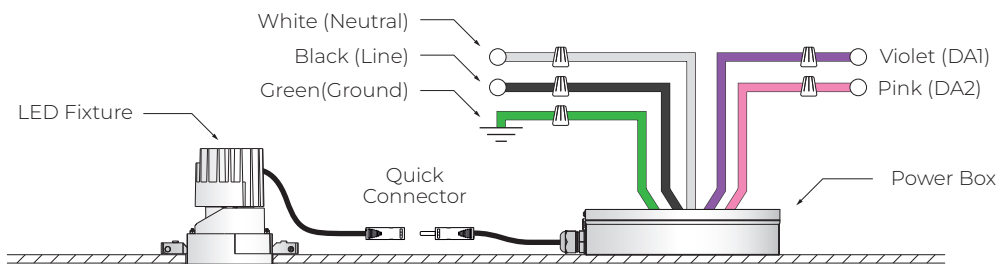
*Not to scale



TRC



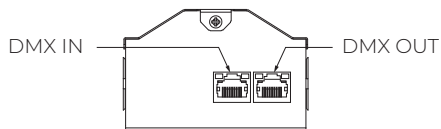
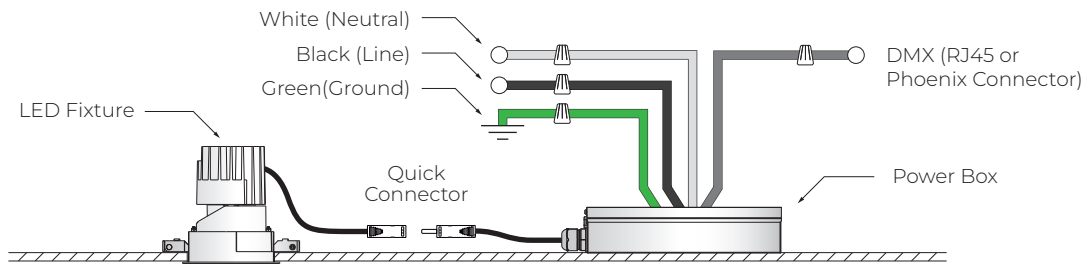
DALI



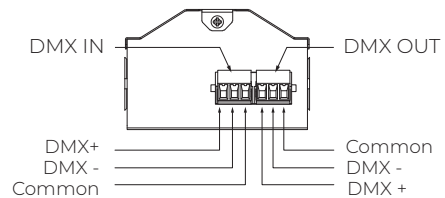
WIRING DIAGRAM

DMX Static White

*Not to scale



RJ45 Sockets

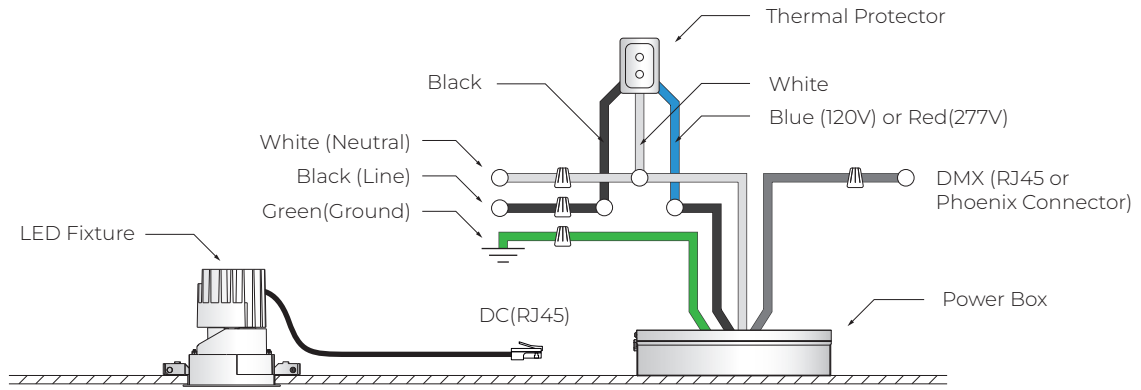


Phoenix Connector

WIRING DIAGRAM

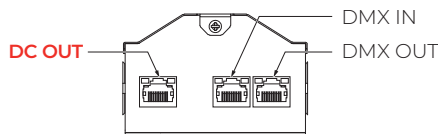
DMX (W+RGB/Tunable White)

*Not to scale

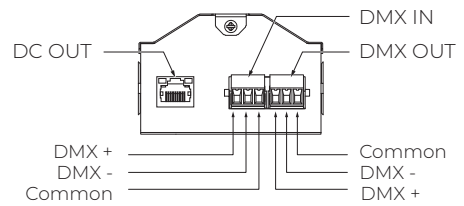


ATTENTION

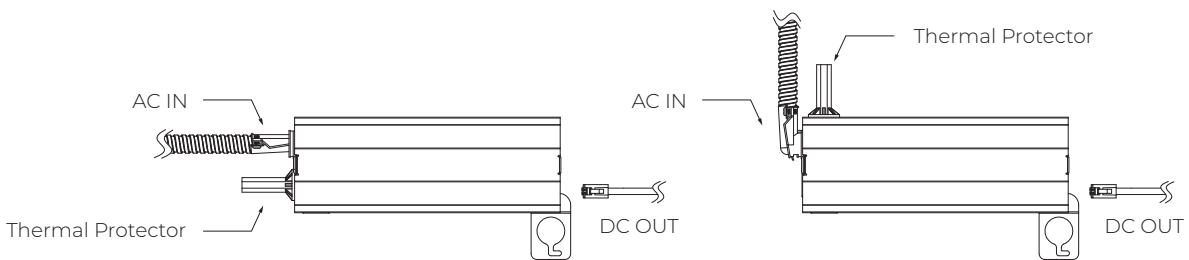
DO NOT MIX THE RJ45 DC POWER OUTPUT WITH THE DMX SIGNAL, AS IT MAY LEAD TO EQUIPMENT DAMAGE OR MALFUNCTION.



RJ45 Sockets



Phoenix Connector



Thermal Protector Position

To facilitate the fitting of the power box through the ceiling cutout, adjust the position of the thermal protector as shown.