

# REV FLEX 4

SPECIFICATION SHEET  
RETROFIT  
ARCHI-COLOR™ W+RGB

## REVOLUTIONARY ADJUSTABLE DOWNLIGHTS

### Housing

Aperture : Ø3.7" | Height : 5" | Weight : 1.96 lbs  
Maximum Ceiling Thickness : 1" | Ceiling Cutout : 4"

### Material

Housing: High Pressure Die-Cast Aluminum  
Optics: Aluminum Reflector

### Power Input

15W (W=5W, RGB=10W), 20W (W=10W, RGB=10W)  
40W (W=17W, RGB=23W) | 120V, 277V

### Lumen Output

635 lm (15W), 1,045 lm (20W), 1,890 lm (40W)

### Dimming

DMX : High resolution dims to 0.1%

### Color Quality

CRI 85

### Rated Life

> 100,000 Hours (L70)

### Bezel Finish



Matte  
Black



Matte  
White



Matte  
Silver

### Trim Finish



Matte  
Black



Matte  
White

### Color Temperature



3000K

+



Archi-Color™ W+RGB

### Optics



25°



40°



55°

### Adjustability



0°-30°  
Tilt



0°-359°  
Rotation

### Warranty

5 Year limited warranty

### Listing



## Quiet . Adjustable. Color Changing.

The new REV Flex series is an extension of Meteor's revolutionary downlights with an adjustable factor. Coming in a range of 2", 4" and 6" apertures. The REV Flex series feature 359° rotation, 30° tilt, and a variety of architectural illumination options.

All REV Flex configurations are Title 24 listed, and compatible with our proprietary high efficacy Archi-Color™ color changing technology Archi-Color™ W+RGB. Also features built-in Flicker-Free video recording with our VX™ Driver.



# METEOR

[meteor-lighting.com](http://meteor-lighting.com)

**SPECIFICATION**

PROJECT NAME

DATE

CATALOG #

QUANTITY

<b>RF4R</b>	MODEL	<b>REV FLEX 4 RETROFIT</b>		
	WATTAGE	<b>15</b> 15W	<b>20</b> 20W	<b>40</b> 40W
	BEZEL TYPE	<b>A</b> Adjustable Bezel	<b>F<sup>1</sup></b> Fixed Cut-off Bezel	<b>W<sup>2</sup></b> Wallwash Bezel
<b>308C</b>	CCT / CRI	<b>308C</b> 3000K / CRI85 +RGB		
	VOLTAGE	<b>120</b> 120V	<b>277</b> 277V	
	DIMMING	<b>DMXP</b> DMX dims to 0.1% (Phoenix Connector)	<b>DMXR</b> DMX dims to 0.1% (RJ45 Sockets)	
	TRIM TYPE	<b>R</b> Round <b>SF<sup>3</sup></b> Square Flangeless	<b>S</b> Square	<b>RF<sup>3</sup></b> Round Flangeless
	TRIM FINISH	<b>BLK</b> Matte Black	<b>WHT</b> Matte White	
	BEZEL FINISH	<b>BLK</b> Matte Black	<b>WHT</b> Matte White	<b>SLV</b> Matte Silver
	BEAM ANGLE	<b>25</b> 25°	<b>40</b> 40°	<b>55</b> 55°
	ACCESSORIES	<b>NO</b> No Accessories	<b>HC<sup>4,5</sup></b> Hex Cell Louver	

<sup>1</sup> Fixed Cut-off Bezel is not compatible with 40W and HC options

<sup>2</sup> Wallwash bezel are always silver in color.

<sup>3</sup> Flangeless trims are always white in color.

<sup>4</sup> Please factor in change in lumen output of -25%

<sup>5</sup> Hex Cell Louver is not compatible with 40W option

## TECHNICAL DETAILS

### Electrical

- 635 lm (15W), 1,045 lm (20W), 1,890 lm (40W)
- Power Input: 120V or 277V
- Operating Temperature: 14°F~104°F

### LED Features

- Color Temperature: 3000K + Archi-Color™ W+RGB
- CRI 85
- Long lasting LED luminaire tested under TM21 lumen maintenance L70 @ 100,000 Hrs

### Optics

- Precision molded high transmittance clear glass
- Beam Angle: 25°, 40°, 55°

### Advanced Dimming

- Proprietary VX Driver™ is incorporated to all dimming options for video flicker-free lighting
- DMX : High resolution dims to 0.1% (Supports ANSI E1.20 RDM protocol)

### Housing

- Aperture: Ø3.7"
- Height: 5"
- Weight: 1.96 lbs
- Ceiling Cutout: 4"
- Maximum Ceiling Thickness: 1"
- Material: High Pressure Die-Cast Aluminum, Glass, Aluminum Reflector
- Non-IC Rated, insulation must be kept >0.5ft from housing.
- Light engine, optics, and driver(s) accessible from below ceiling

### Warranty

- 5-year limited warranty

### Listing

- ETL
- CE
- FCC
- JA8 Title 24 Compliant

## PERFORMANCE SUMMARY\*

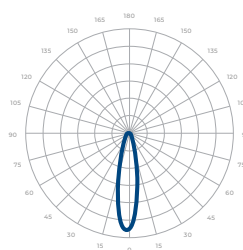
		Standard			
CCT/WATTAGE		R	G	B	W
15W		3.3W	3.3W	3.3W	5W
		40lm	240lm	25lm	330lm
20W		3.3W	3.3W	3.3W	10W
		45lm	250lm	30lm	720lm
40W		7.5W	7.5W	7.5W	17W
		90lm	520lm	55lm	1,225lm

Current Consumption		
WATTAGE / VOLT	120V	277V
15W	0.13A	0.06A
20W	0.17A	0.07A
40W	0.33A	0.14A

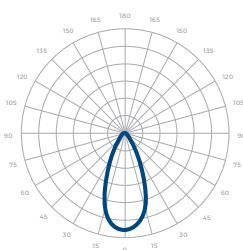
\*Beam Angle: 40° \*Tolerance ±8%

## PHOTOMETRICS

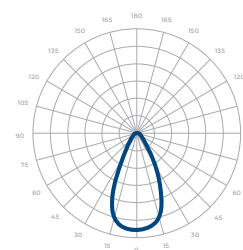
Below is a typical photometric representation of the Rev Flex 4 fixture. Please download IES files to ensure exact photometric value.



25°



40°



55°

## DMX REQUIREMENTS

The Rev Flex 4 Archi-Color™ W+RGB fixture with DMX is a **four channel dmx** unit. When placing an order, please indicate DMX address. (The DMX address will be listed on the back of the fixture). Do not connect more than 32 fixtures per DMX daisy chain.

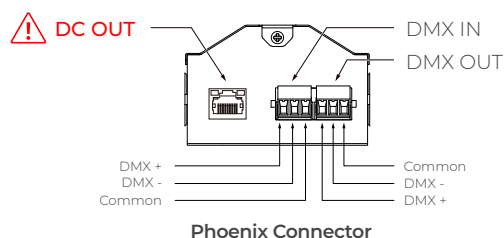
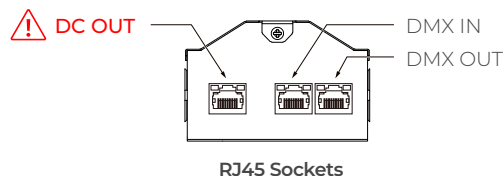
DMX Address				
Fixture	Red Control (ex. X)	Green Control (ex. X+1)	Blue Control (ex. X+2)	White Control (ex. X+3)
#1	1	2	3	4
#2	5	6	7	8
#3	9	10	11	12

The fixture can be connected with RJ45 Socket or Phoenix Connector. DMX cables **are not** included; please refer to compatible DMX cabling list for more information. The final fixture on each daisy chain should be terminated by the use of a DMX terminator purchased from a 3rd party or from Meteor.

CONNECTION	RJ45 (CAT5e)
Common	WHITE/BROWN(PIN7) & BROWN (PIN 8)
Signal -	ORANGE (PIN 2)
Signal +	WHITE/ORANGE (PIN 1)
Spare	-
Spare	-



**DO NOT MIX THE RJ45 DC POWER OUTPUT WITH THE DMX SIGNAL, AS IT MAY LEAD TO EQUIPMENT DAMAGE OR MALFUNCTION.**



## COMPATIBLE DMX CABLING LIST

DMX uses a cable consisting of two twisted pairs plus a shield to carry data. The cable must be specifically impedance matched for the digital DMX signal, meaning that microphone cable or other non-rated cable **must not be used to carry DMX**. Network cable (Cat5, 5e or 6 cable) may be used to carry DMX in an installation; however special consideration must be given to shielding and termination. Under no circumstances should solid core cable like Cat5 be terminated into a screw down connector.

Meteor recommends the use of Belden 9729 or Belden 9841 for DMX installation. Belden 9729/9841 is a shielded twisted pair cable, which allows for a spare pair for 'out and back' type terminations if needed.

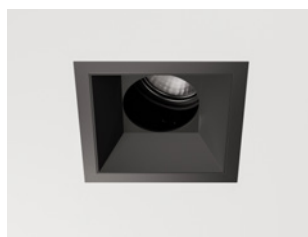
## TRIM TYPES



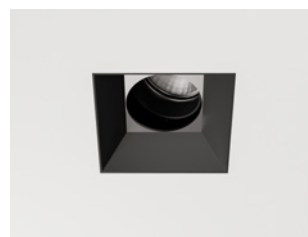
Round Trim



Round Flangeless Trim

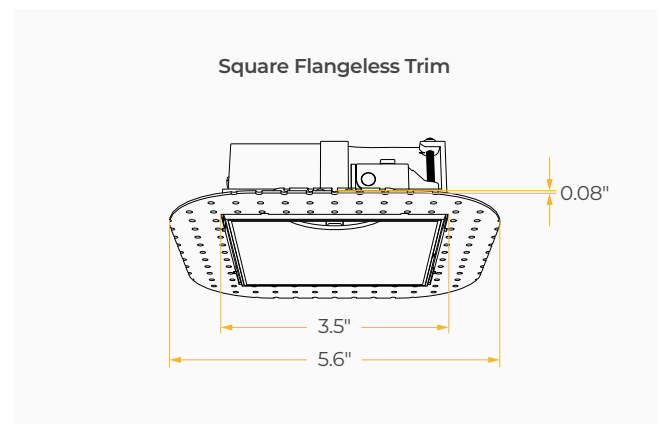
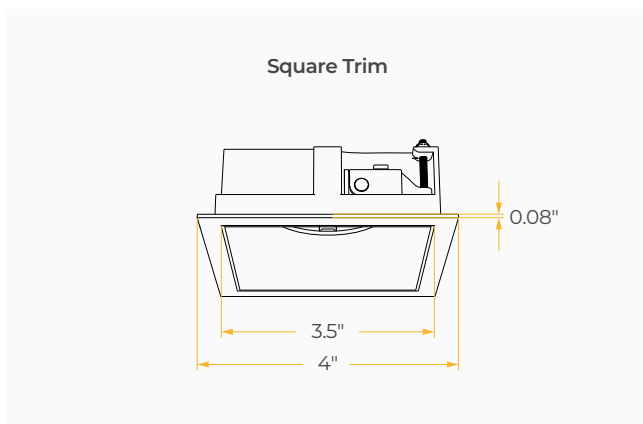
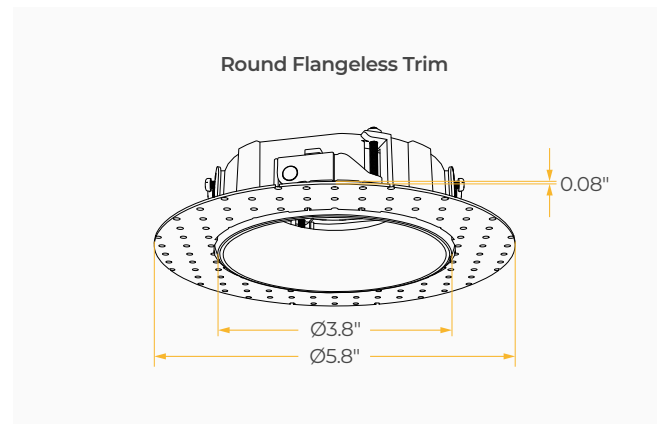
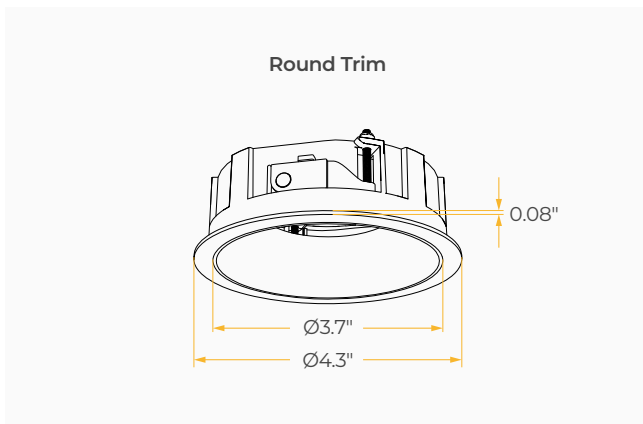
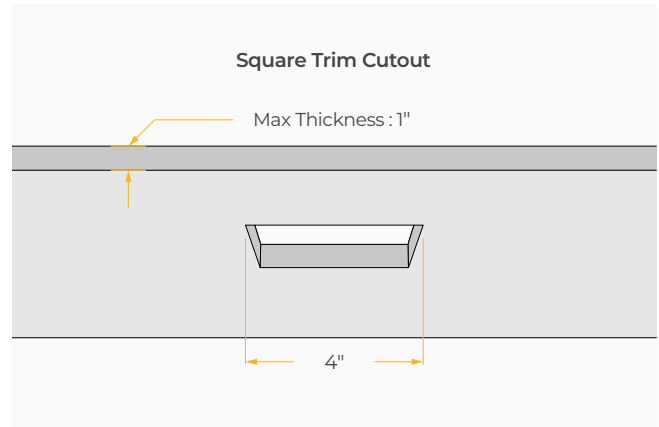
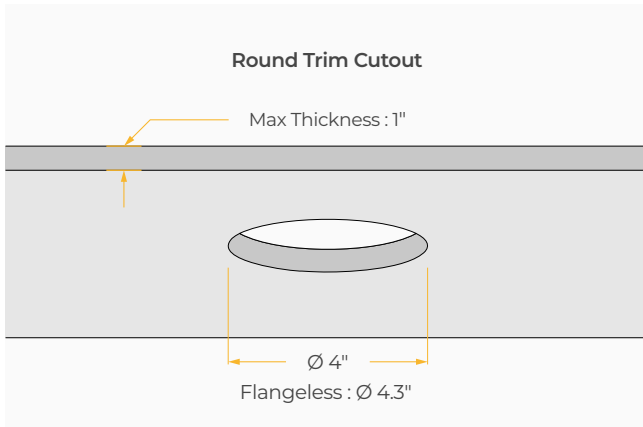


Square Trim



Square Flangeless Trim

**DIMENSIONS**



**DIMENSIONS**

---

