

# REV FLEX 4

SPECIFICATION SHEET  
NEW CONSTRUCTION

## REVOLUTIONARY ADJUSTABLE DOWNLIGHTS

### Housing

Aperture : Ø3.7" | Height : 5" | Weight : 2.46 lbs  
Maximum Ceiling Thickness : 1" | Ceiling Cutout : 4.1"

### Material

Housing: High Pressure Die-Cast Aluminum  
Optics: Aluminum Reflector

### Power Input

15W, 20W, 40W | 120V, 277V

### Lumen Output

1,040 lm (15W), 1,540 lm (20W), 3,080 lm (40W)

### Dimming

Superior 0-10V: dims to 1%, dims to dark  
TRC : Line-voltage phase control, dims to 1%  
DMX : High resolution dims to 0.1%  
DALI : Logarithmic dims to 1%

### Color Quality

CRI 85, CRI 93

### Rated Life

> 100,000 Hours (L70)

### Bezel Finish



Matte  
Black



Matte  
White



Matte  
Silver

### Trim Finish



Matte  
Black



Matte  
White

### Color Temperature



2700K



3000K



3500K



4000K

### Optics



20°



40°



50°

### Adjustability



0°-30°  
Tilt



0°-359°  
Rotation

### Warranty

5 Year limited warranty

### Listing



## Quiet . Adjustable. Color Changing.

The new REV Flex series is an extension of Meteor's revolutionary downlights with an adjustable factor. Coming in a range of 2", 4" and 6" apertures. The REV Flex series feature 359° rotation, 30° tilt, and a variety of architectural illumination options.

All REV Flex configurations are Title 24 listed, and compatible with our proprietary high efficacy Archi-Color™ color changing technology W+RGB. Also features built-in Flicker-Free video recording with our VX™ Driver.



# METEOR

[meteor-lighting.com](http://meteor-lighting.com)

**SPECIFICATION**

PROJECT NAME

DATE

CATALOG #

QUANTITY

<b>RF4N</b>	MODEL	<b>REV FLEX 4 WITH NEW CONSTRUCTION FRAME</b>		
	WATTAGE	<b>15</b> 15W	<b>20</b> 20W	<b>40</b> 40W
	BEZEL TYPE	<b>A</b> Adjustable Bezel	<b>F</b> <sup>1</sup> Fixed Cut-off Bezel	<b>W</b> <sup>2</sup> Wallwash Bezel
	CCT / CRI	<b>278</b> 2700K / CRI 85 <b>309</b> 3000K / CRI 93 <b>408</b> 4000K / CRI 85	<b>279</b> 2700K / CRI 93 <b>358</b> 3500K / CRI 85 <b>409</b> 4000K / CRI 93	<b>308</b> 3000K / CRI 85 <b>359</b> 3500K / CRI 93
	VOLTAGE	<b>120</b> 120V	<b>277</b> 277V	
	DIMMING	<b>NOD</b> Non-Dimming <b>DMXP</b> DMX dims to 0.1% (Phoenix Connector)	<b>SPV</b> Superior 0-10V dims to 1%, dims to dark <b>DMXR</b> DMX dims to 0.1% (RJ45 Sockets)	<b>TRC</b> <sup>3</sup> Line-voltage phase control, dims to 1% <b>DALI</b> DALI dims to 1%
	TRIM TYPE	<b>R</b> Round <b>SF</b> <sup>4</sup> Square Flangeless	<b>S</b> Square	<b>RF</b> <sup>4</sup> Round Flangeless
	TRIM FINISH	<b>BLK</b> Matte Black	<b>WHT</b> Matte White	
	BEZEL FINISH	<b>BLK</b> Matte Black	<b>WHT</b> Matte White	<b>SLV</b> Matte Silver
	BEAM ANGLE	<b>20</b> 20°	<b>40</b> 40°	<b>50</b> 50°
	ACCESSORIES	<b>NO</b> No Accessories	<b>HC</b> <sup>5,6</sup> Hex Cell Louver	<b>BUB</b> Butterfly Bracket

<sup>1</sup> Fixed Cut-off Bezel is not compatible with 40W and HC options

<sup>2</sup> Wallwash bezel are always silver in color.

<sup>3</sup> Option is only compatible with 120V

<sup>4</sup> Flangeless trims are always white in color.

<sup>5</sup> Please factor in change in lumen output of -25% with HC

<sup>6</sup> Option is not compatible with 40W option

## TECHNICAL DETAILS

### Electrical

- 1,040 lm (15W), 1,540 lm (20W), 3,080 lm (40W)
- Power Input: 120V or 277V
- Operating Temperature: 14°F~104°F

### LED Features

- Color Temperature: 2700K, 3000K, 3500K, 4000K
- CRI 85, CRI 93
- Long lasting LED luminaire tested under TM21 lumen maintenance L70 @ 100,000 Hrs

### Optics

- Precision molded high transmittance clear PC lens
- Beam Angle: 20°, 40°, 50°

### Advanced Dimming

- Proprietary VX Driver™ is incorporated to all dimming options for video flicker-free lighting
- Superior 0-10V: dims to 1%, dims to dark
- TRC : Line-voltage phase control, dims to 1% (120V only)
- DMX : High resolution dims to 0.1% (Supports ANSI E1.20 RDM protocol)
- DALI : Logarithmic dims to 1%

### Housing

- Aperture : Ø3.7"
- Height : 5"
- Weight : 2.46 lbs
- Ceiling Cutout : 4.1"
- Maximum Ceiling Thickness : 1"
- Material: High Pressure Die-Cast Aluminum, Glass, Aluminum Reflector
- Non-IC Rated, insulation must be kept >0.5ft from housing
- Light engine, optics, and driver(s) accessible from below ceiling

\*Note: C-Channel / Mounting Channels / T-Bar Hangers are purchased from a third party

### Warranty

- 5-year limited warranty

### Listing

- ETL
- CE
- FCC
- JA8 Title 24 Compliant

## PERFORMANCE SUMMARY\*

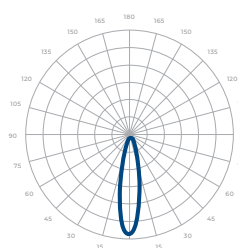
	STD (Standard)			
CCT/WATTAGE	2700K	3000K	3500K	4000K
15W	920lm	980lm	1,000lm	1,040lm
20W	1,280lm	1,350lm	1,440lm	1,540lm
40W	2,550lm	2,690lm	2,880lm	3,080lm

	Current Consumption	
WATTAGE / VOLT	120V	277V
15W	0.13A	0.06A
20W	0.17A	0.07A
40W	0.4A	0.15A

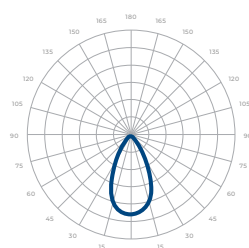
\*Beam Angle: 40° \*Tolerance ±8%

## PHOTOMETRICS

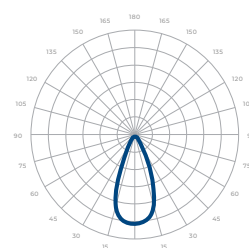
Below is a typical photometric representation of the Rev Flex 4 fixture. Please download IES files to ensure exact photometric value.



20°



40°



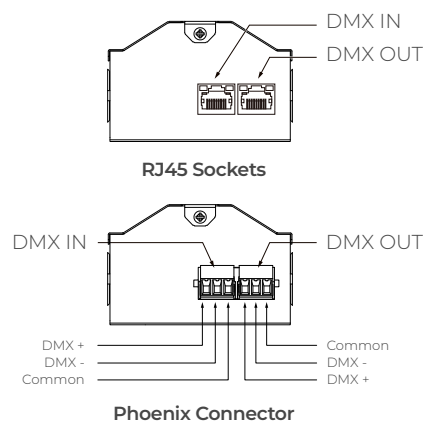
50°

## DMX REQUIREMENTS

The REV Flex 4 fixture with DMX is a **single channel dmx** unit. When placing an order, please indicate DMX address. (The DMX address will be listed on the back of the fixture). Do not connect more than 32 fixtures per DMX daisy chain.

The fixture can be connected with RJ45 Sockets or Phoenix Connector. DMX cables **are not** included; please refer to compatible DMX cabling list for more information. The final fixture on each daisy chain should be terminated by the use of a DMX terminator purchased from a 3rd party or from Meteor.

CONNECTION	RJ45 (CAT5e)
Common	WHITE/BROWN(PIN7) & BROWN (PIN 8)
Signal -	ORANGE (PIN 2)
Signal +	WHITE/ORANGE (PIN 1)
Spare	-
Spare	-



## COMPATIBLE DMX CABLING LIST

DMX uses a cable consisting of two twisted pairs plus a shield to carry data. The cable must be specifically impedance matched for the digital DMX signal, meaning that microphone cable or other non-rated cable **must not be used to carry DMX**. Network cable (Cat5, 5e or 6 cable) may be used to carry DMX in an installation; however special consideration must be given to shielding and termination. Under no circumstances should solid core cable like Cat5 be terminated into a screw down connector.

Meteor recommends the use of Belden 9729 or Belden 9841 for DMX installation. Belden 9729/9841 is a shielded twisted pair cable, which allows for a spare pair for 'out and back' type terminations if needed.

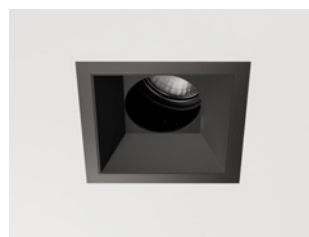
## TRIM TYPES



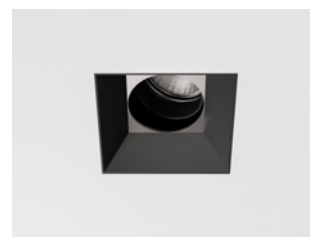
Round Trim



Round Flangeless Trim

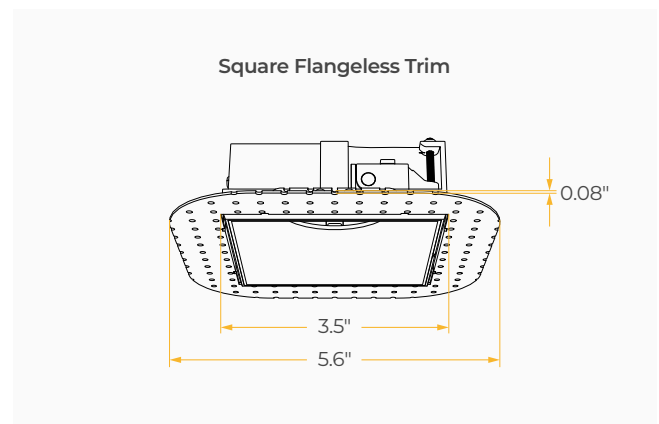
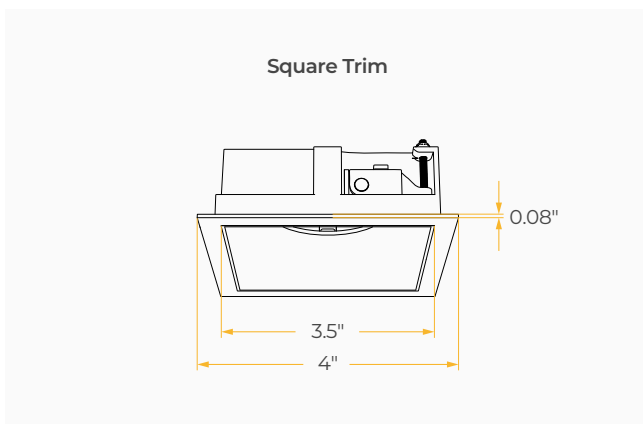
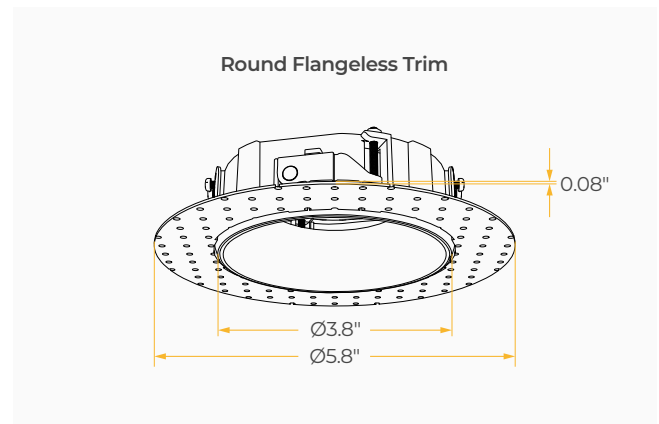
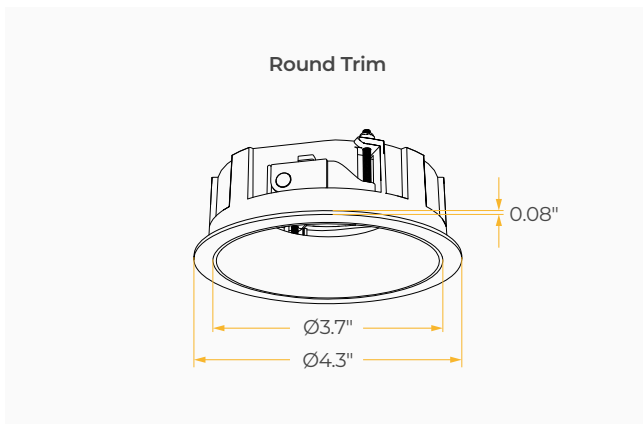
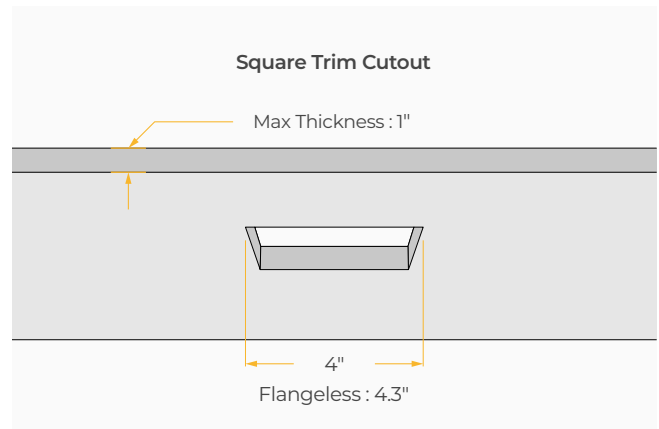
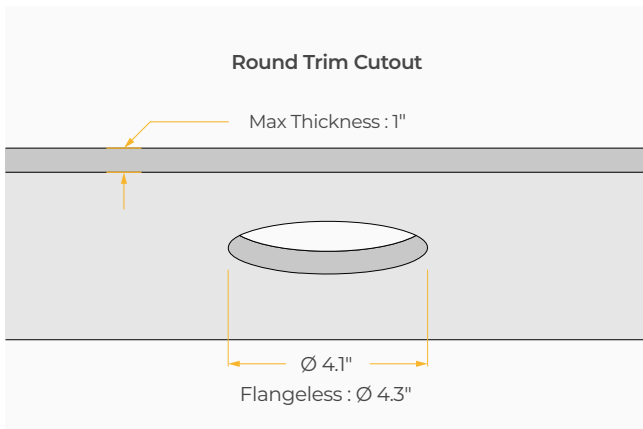


Square Trim

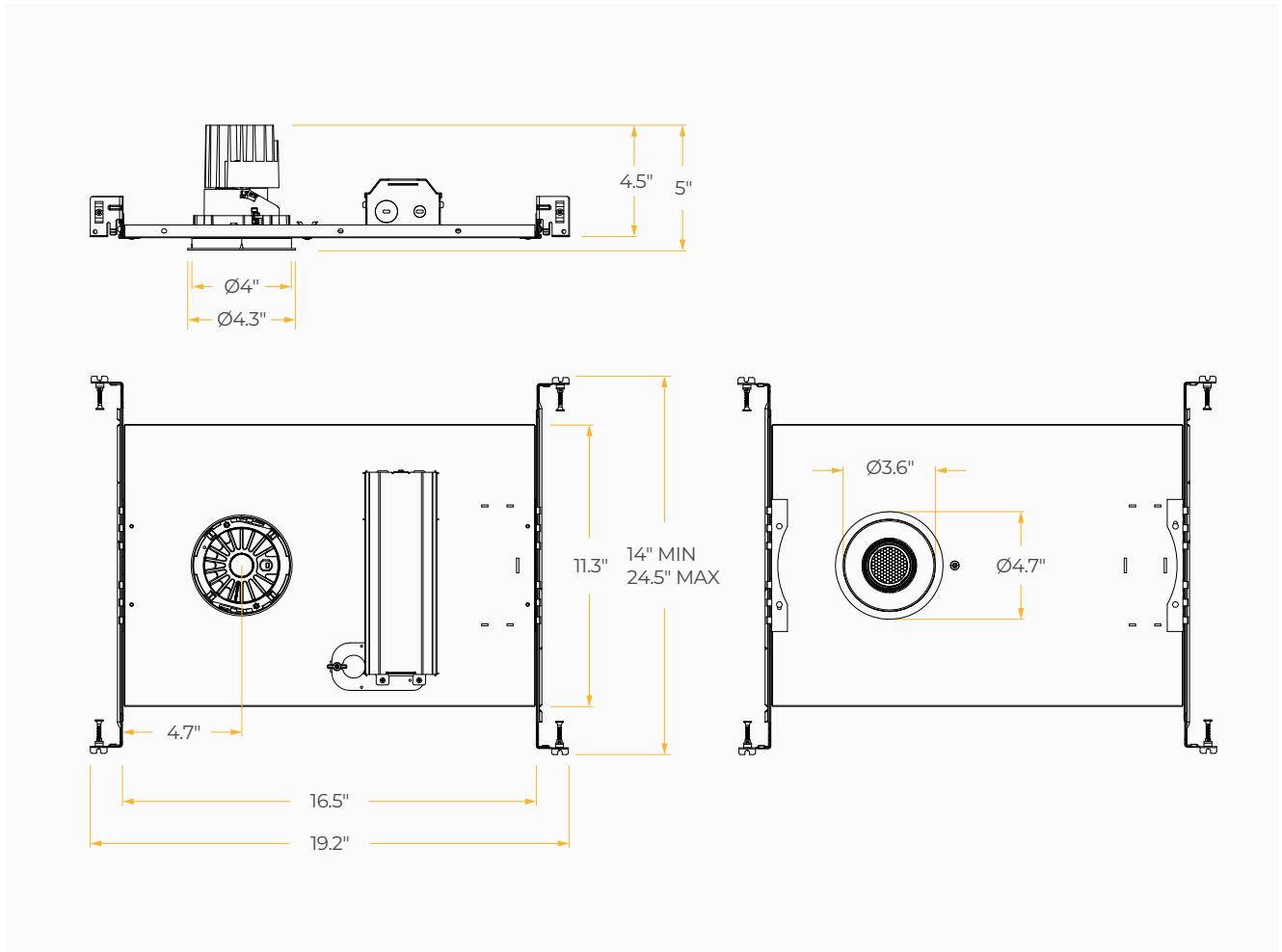


Square Flangeless Trim

**DIMENSIONS**



**DIMENSIONS**



**Power Box**

