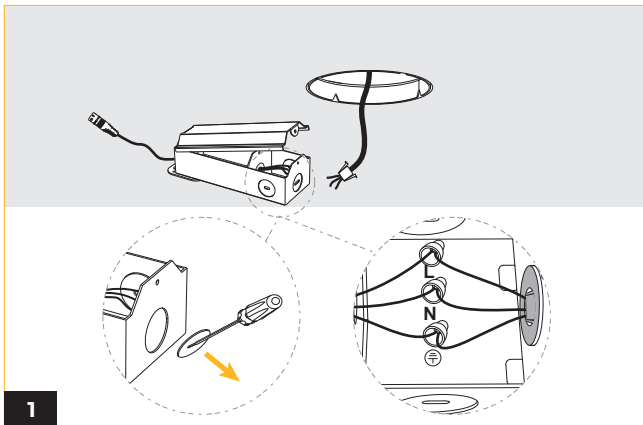


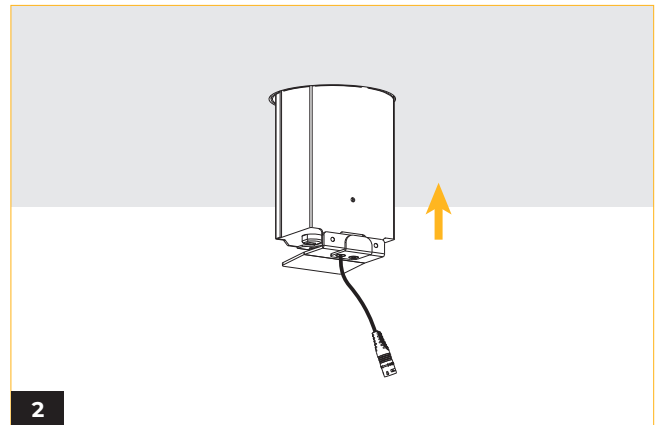
IMPORTANT SAFETY INFORMATION READ AND FOLLOW ALL SAFETY INSTRUCTIONS

- Before wiring to power supply and during servicing or relamping, turn off power at fuse or circuit breaker.
- All servicing or relamping must be performed by qualified service personnel.
- Product must be grounded to avoid potential electric shock or other potential hazard.
- Product must be installed at locations and heights, in a manner consistent with its intended use, and in compliance with Electrical Code and local codes.

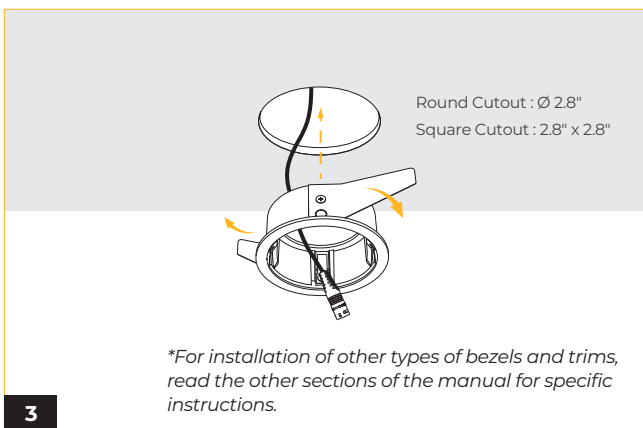
SAVE THESE INSTRUCTIONS FOR FUTURE REFERENCE



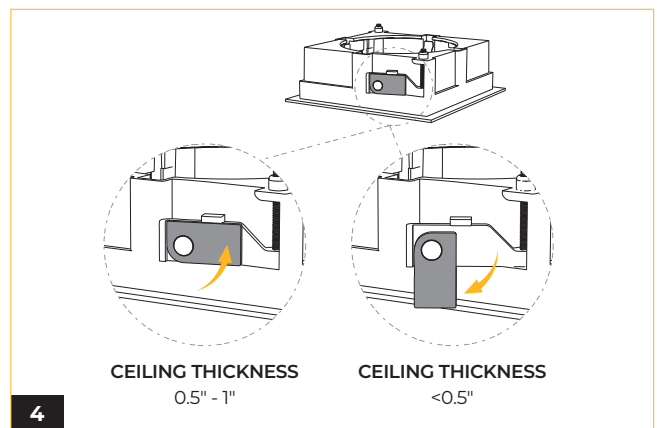
1 Remove knockout and establish connections between the power box and the electrical connection. (Refer to wiring diagram)



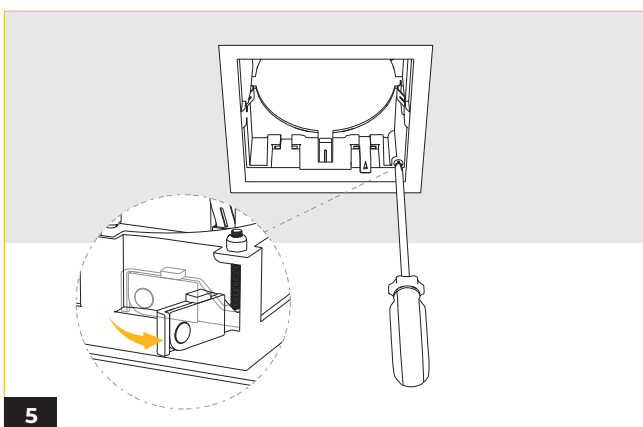
2 Install the power box through the ceiling and position it in a location that has adequate clearance.



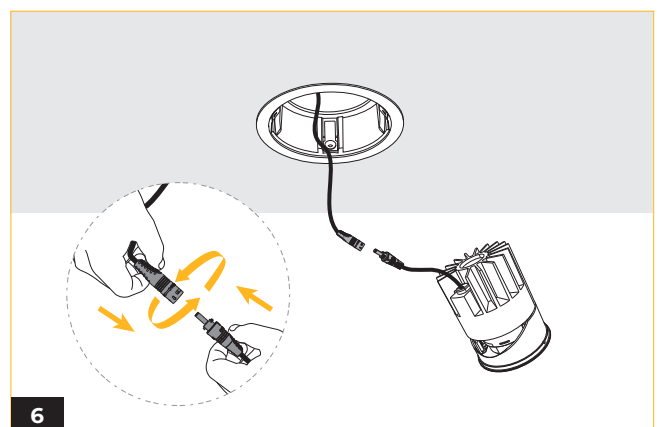
3 For installation of a round bezel fixture, apply pressure to the metal fin springs and shape them inward. Subsequently, insert the frame through the ceiling cut out.



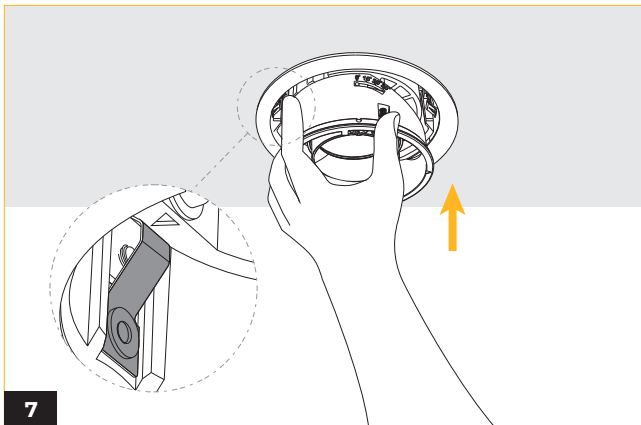
4 For installation of other bezel types, align the mounting tabs to the appropriate position according to ceiling thickness.



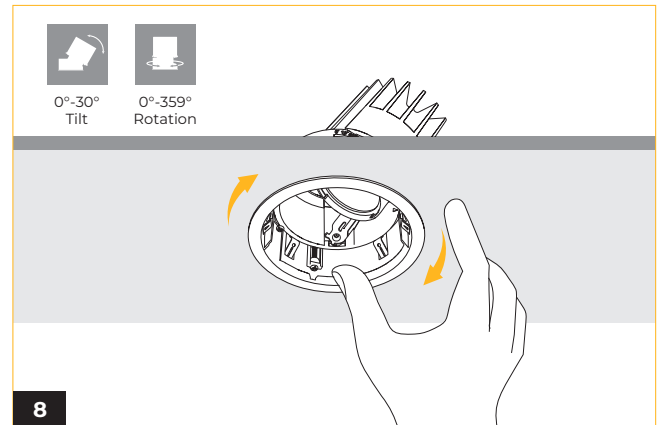
5 Install the bezel frame through the ceiling opening. Use a Phillips screwdriver to expand the two mounting tabs and secure the bezel frame in place.



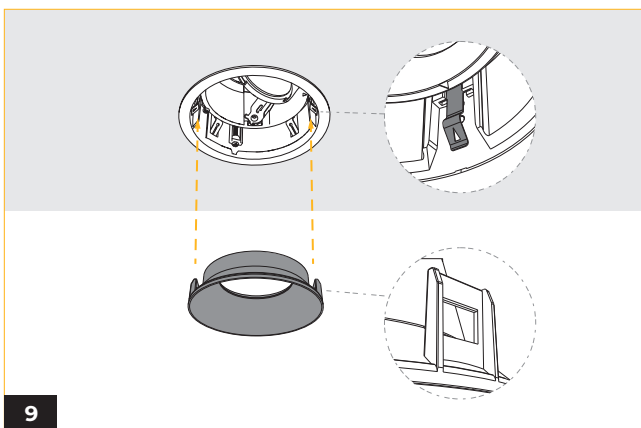
6 Establish the electrical connection between the power box and the fixture using a quick-connect wire connector. Plug the connector into place and twist until it is secure.



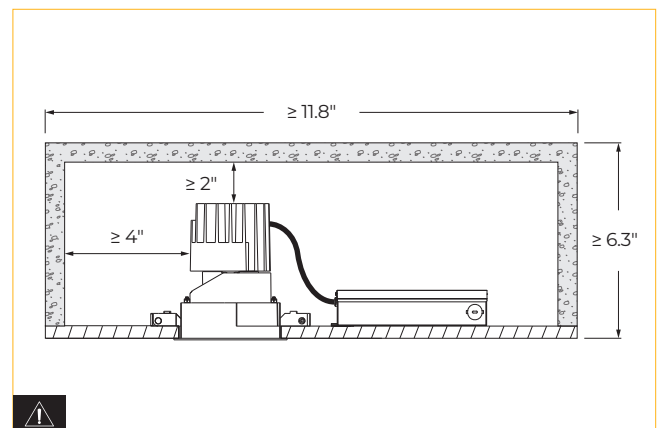
7
Install the light engine from below ceiling until it is securely fastened by the springs on the bezel frame. The secure engagement should produce a distinct clicking sound, indicating proper installation.



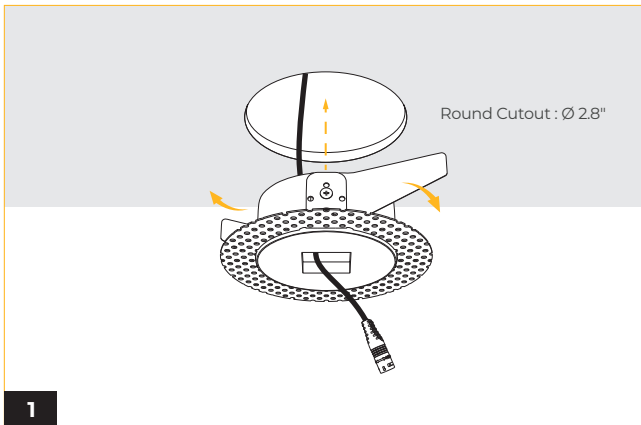
8
Direct the light in the desired direction by rotating and tilting the fixture.



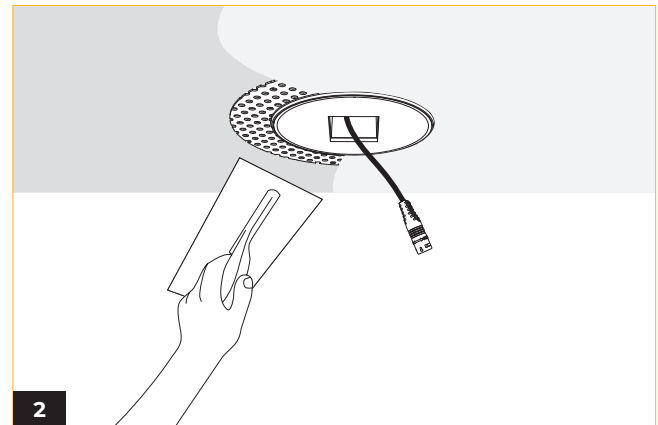
9
Install the trim by aligning the two clip inserts with the springs on the bezel frame. Push the trim into place until it is firmly secured by the springs on the bezel frame.



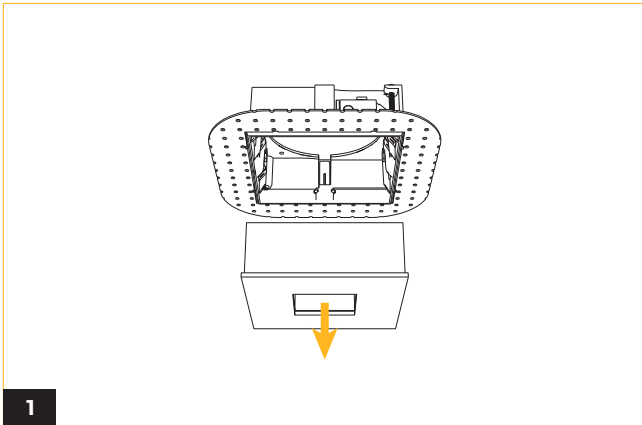
10
Maintain an adequate amount of clearance around the lighting fixture to ensure proper heat dissipation.



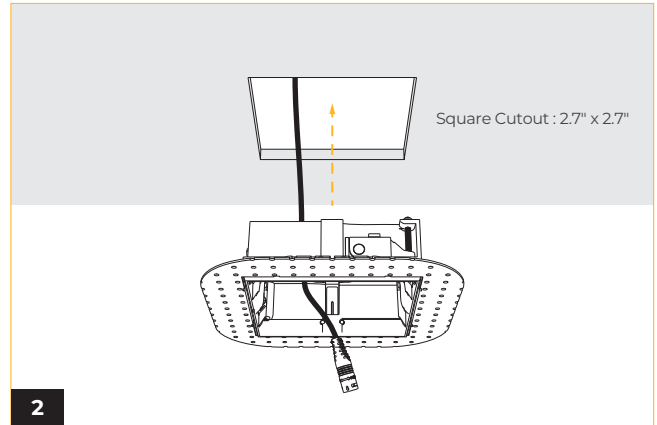
Apply pressure to the metal fin springs and shape them inward. Subsequently, insert the frame through the ceiling cut out.



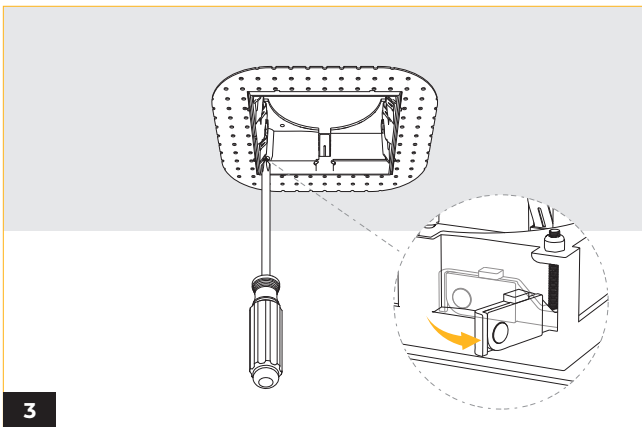
Spread the plastering compound evenly around the frame and smooth it out to create a flat surface on the ceiling. Once finished, remove the protective foam and proceed with the rest of the installation.



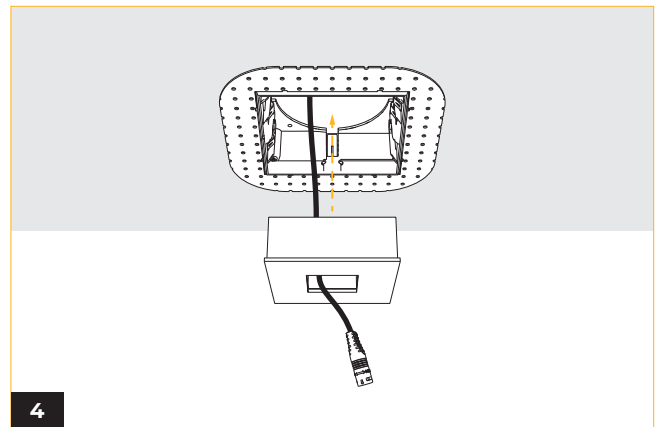
1 Remove the protective foam from the frame and retain it for later use.



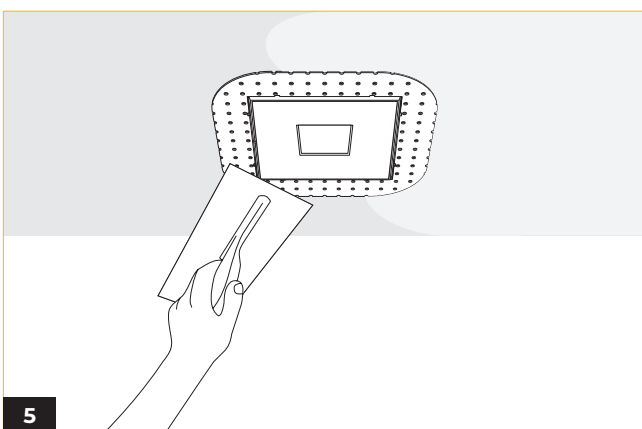
2 Insert the frame through the ceiling cut out.



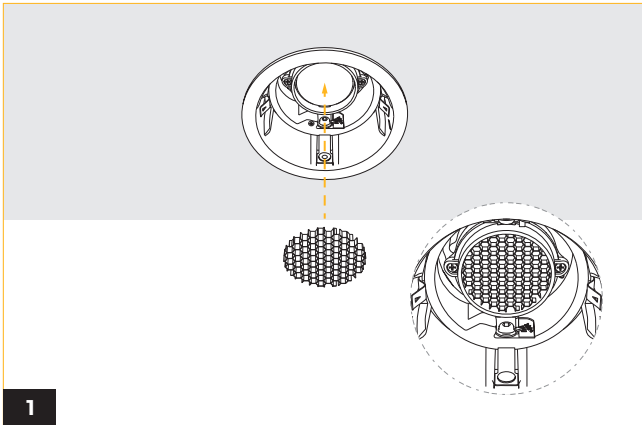
3 Use a Phillips screwdriver to expand the two mounting tabs and secure the bezel frame in place.



4 Place the protective foam back into the frame.



5 Spread the plastering compound evenly around the frame and smooth it out to create a flat surface on the ceiling. Once finished, remove the protective foam and proceed with the rest of the installation.

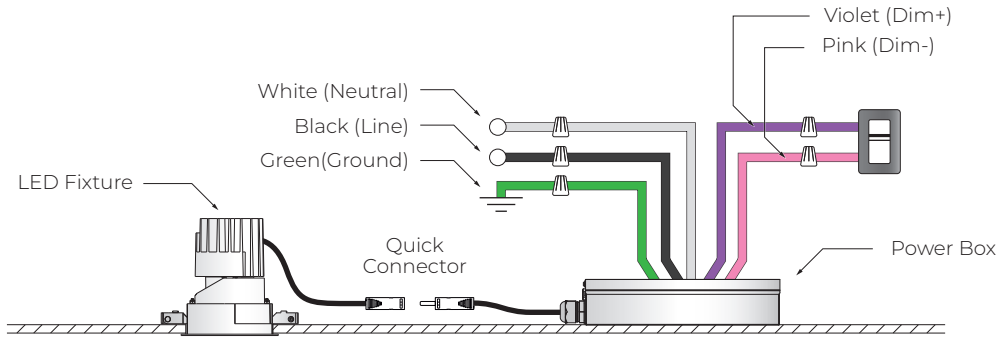


Install the honeycomb louver by placing it below the optics.

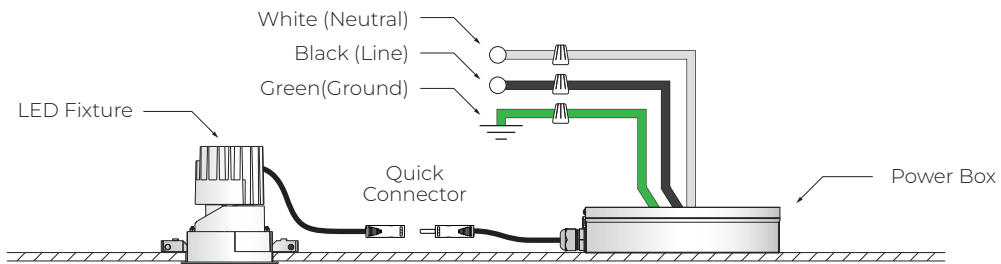
WIRING DIAGRAM

SPV

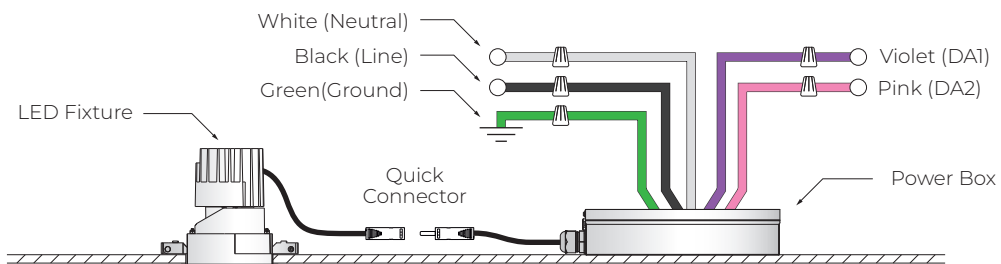
*Not to scale



TRC



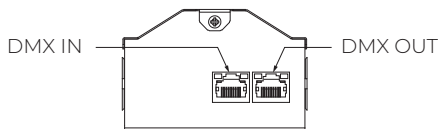
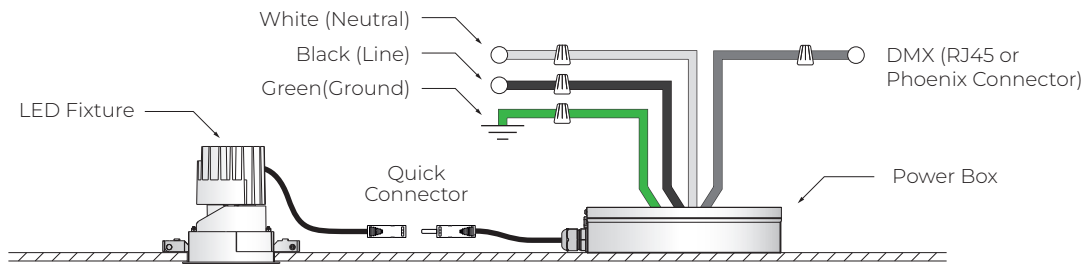
DALI



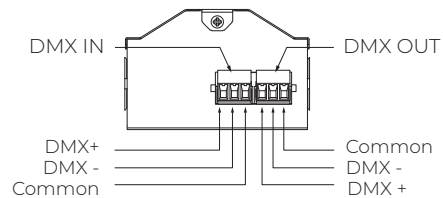
WIRING DIAGRAM

DMX Static White

*Not to scale



RJ45 Sockets

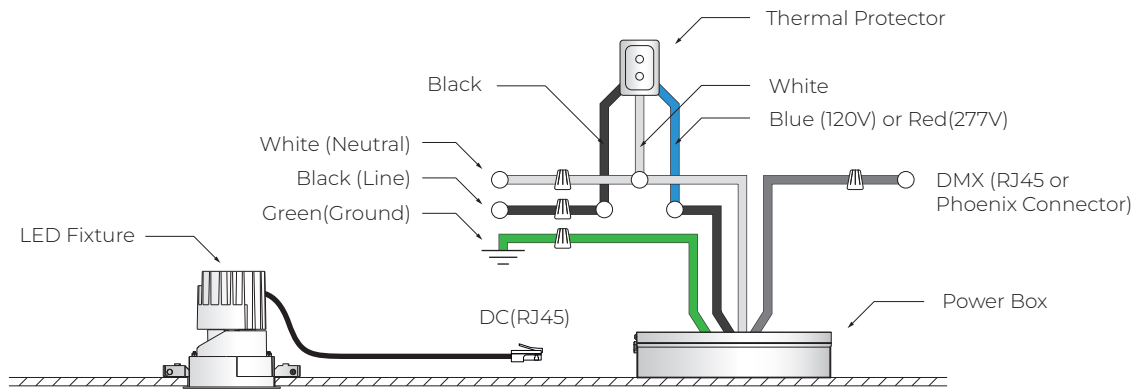


Phoenix Connector

WIRING DIAGRAM

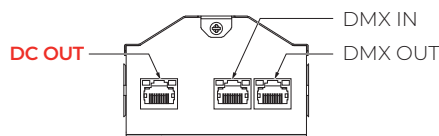
DMX (W+RGB/Tunable White)

*Not to scale

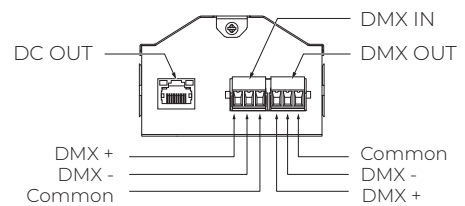


ATTENTION

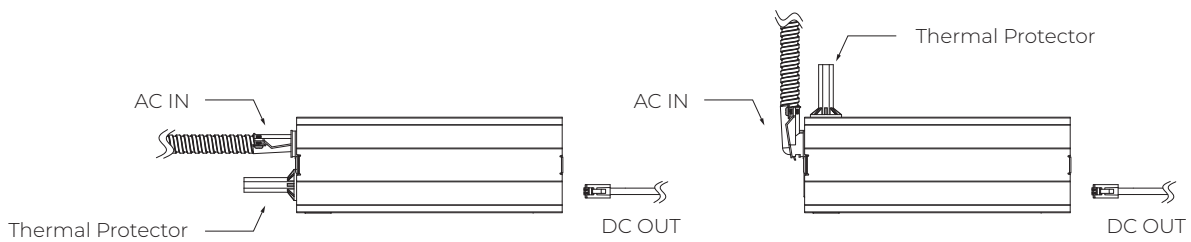
DO NOT MIX THE RJ45 DC POWER OUTPUT WITH THE DMX SIGNAL, AS IT MAY LEAD TO EQUIPMENT DAMAGE OR MALFUNCTION.



RJ45 Sockets



Phoenix Connector



Thermal Protector Position

To facilitate the fitting of the power box through the ceiling cutout, adjust the position of the thermal protector as shown.