

# REV 4

SPECIFICATION SHEET  
RETROFIT

## QUIET CEILING DESIGN HIGH LUMEN RECESSED DOWNLIGHT

### Housing

Aperture : Ø4.3" | Oversize Trim : 5.3" | Maximum Ceiling Thickness : 2"  
Opening of Mounting Frame : 4.7" to 5.1" | Height : 8" | Weight : 7 lbs

### Material

Housing : Extruded Aluminum  
Reflector : Flow Forming Aluminum

### Power Input

20W, 40W, 60W, 80W | 120V, 277V

### Lumen Output

1,720lm (20W), 3,540 lm (40W), 5,580 lm (60W), 7,210 lm (80W)

### Dimming

Standard 0-10V : Dims to 10%  
Superior 0-10V : Dims to 1%  
DMX : High resolution dims to 0.1%  
TRC: Linear line-voltage phase control, dims to 1%  
LDE1 : Hi-Lume 1% EcoSystem LED Driver  
DALI : Dims to 1%

### Color Quality

CRI 85, CRI 93

### Rated Life

> 100,000 Hours (L70)

### Finish



Black



White

### Color Temperature



2700K



3000K



3500K



4000K

### Optics



35°



45°



55°

### Warranty

5 Year limited warranty

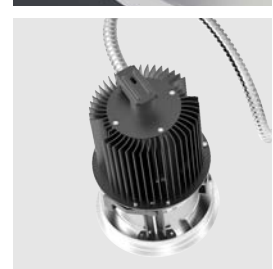
### Listing



## Precision Engineered For High Performance.

The REV series are a revolutionary range of 4, 6 and 8-inch aperture recessed downlights that feature a deep, double optical reflector design with high efficacy performance.

All downlights feature Colorflip™ Warm Dim, Tunable White and Archi-Color™ W+RGB technology for a truly versatile range of applications, and are available in new construction and retrofit configurations.



# METEOR

[meteor-lighting.com](http://meteor-lighting.com)

**SPECIFICATION**

PROJECT NAME

DATE

CATALOG #

QUANTITY

<b>RS4R</b>	MODEL	<b>REV 4 RETROFIT</b>		
	WATTAGE	<b>20</b> 20W <b>80<sup>1</sup></b> 80W	<b>40</b> 40W	<b>60<sup>1</sup></b> 60W
	CCT / CRI	<b>278</b> 2700K / CRI 85 <b>309</b> 3000K / CRI 93 <b>408</b> 4000K / CRI 85	<b>279</b> 2700K / CRI 93 <b>358</b> 3500K / CRI 85	<b>308</b> 3000K / CRI 85 <b>359</b> 3500K / CRI 93
	VOLTAGE	<b>120</b> 120V	<b>277</b> 277V	
	DIMMING	<b>NOD</b> Non-Dimming <b>DMX</b> DMX dims to 0.1% (XLR Sockets) <b>LDEI</b> Hi-Lume 1% EcoSystem LED Driver with Soft-on, Fade-to-Black	<b>STV</b> Standard 0-10V dims to 10% <b>DMX(RJ45)</b> DMX dims to 0.1% (RJ45 Sockets) <b>DALI</b> DALI dims to 1%	<b>SPV</b> Superior 0-10V dims to 1% <b>TRC<sup>2</sup></b> Linear line-voltage phase control, dims to 1%
	BEAM ANGLE	<b>35</b> 35°	<b>45</b> 45°	<b>55</b> 55°
	FINISH*	<b>BLK</b> Black	<b>WHT</b> White	
	ACCESSORIES	<b>NO</b> NO Accessories <b>AWW<sup>3</sup></b> Lutron Athena Wireless Module White	<b>EMP</b> Remote Emergency Pack <b>NXB<sup>4</sup></b> NX Radio Module Black	<b>AWB<sup>3</sup></b> Lutron Athena Wireless Module Black <b>NXW<sup>4</sup></b> NX Radio Module White

<sup>1</sup> Not compatible with TRC, LDEI, DALI

<sup>2</sup> Option is only compatible with 120V

<sup>3</sup> Option is only compatible with STV, SPV, DALI

<sup>4</sup> Option is only compatible with STV, SPV

\* Finish indicates Trim only, with standard matte silver reflector

## TECHNICAL DETAILS

### Electrical

- 1,720 lm (20W)
- 3,540 lm (40W)
- 5,580 lm (60W)
- 7,210 lm (80W)
- Power Input: 120V or 277V
- Operating Temperature: -20°F~104°F
- Surge Protection: Built-in is 4KV
- Power Factor Greater than 0.9

### LED Features

- Color Temperature : 2700K, 3000K, 3500K, 4000K
- CRI 85, CRI 93
- Long lasting LED luminaire tested under TM21 lumen maintenance L70 @ 100,000 Hrs

### Optics

- Flow Forming Aluminum Reflector
- Beam Angle : 35°, 45°, 55°

### Advanced Dimming

- Proprietary VX Driver™ is incorporated to all dimming options for video flicker-free lighting
- Standard 0-10V : Dims to 10%
- Superior 0-10V : Dims to 1%
- DMX : High resolution dims to 0.1% (Supports ANSI E1.20 RDM protocol)
- DALI : dims to 1%

#### Only Compatible with 20W/40W Option :

- TRC: Linear line-voltage phase control, dims to 1% (120V only)
- LDE1 : Hi-Lume 1% EcoSystem LED Driver with Soft-on, Fade-to-Black

### Retrofit Housing

- Aperture : Ø4.3"
- Height : 8"
- Weight : 7 lbs
- Material : High Pressure Aluminum
- Non-IC Rated, insulation must be kept >1ft from housing
- Oversize Trim : 5.3"
- Opening of Mounting Frame : 4.7" to 5.1" Max
- Maximum Ceiling Thickness : 2"
- Tool-less top access allows service from above and below
- Light engine, optics, and driver(s) accessible from below ceiling

### Warranty

- 5-year limited warranty

### Listing

- ETL Damp Location Listed
- FCC
- CE
- UKCA

## PERFORMANCE SUMMARY\*

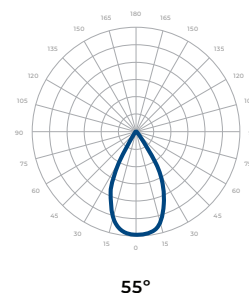
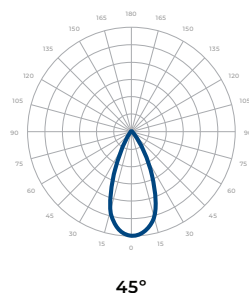
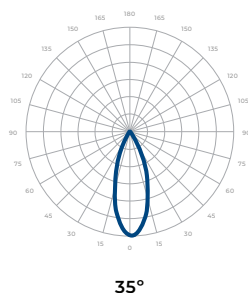
	Standard Trim			
CCT/ WATTAGE	2700K	3000K	3500K	4000K
<b>20W</b>	1,380lm	1,500lm	1,610lm	1,720lm
<b>40W</b>	3,130lm	3,290lm	3,410lm	3,540lm
<b>60W</b>	4,920lm	5,190lm	5,380lm	5,580lm
<b>80W</b>	6,310lm	6,780lm	6,990lm	7,210lm

	Current Consumption	
WATTAGE / VOLT	120V	277V
<b>20W</b>	0.20A	0.10A
<b>40W</b>	0.37A	0.18A
<b>60W</b>	0.57A	0.25A
<b>80W</b>	0.77A	0.34A

\* Beam Angle 35° Tolerance ±8%

## PHOTOMETRICS

Below is a typical photometric representation of the Rev 4 fixture. Please download IES files to ensure exact photometric value.

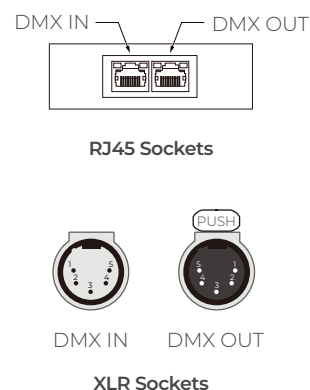


## DMX REQUIREMENTS

The Rev 4 fixture with DMX is a **single channel dmx** unit. When placing an order, please indicate DMX address. (The DMX address will be listed on the back of the fixture). Do not connect more than 32 fixtures per DMX daisy chain.

The fixture can be connected with RJ45 or XLR sockets. DMX cables **are not** included; please refer to compatible DMX cabling list for more information. The final fixture on each daisy chain should be terminated by the use of a DMX terminator purchased from a 3rd party or from Meteor.

CONNECTION	RJ45 (CAT5e)	5-PIN XLR
Common	WHITE/BROWN(PIN7) & BROWN (PIN 8)	PIN 1
Signal -	ORANGE (PIN 2)	PIN 2
Signal +	WHITE/ORANGE (PIN 1)	PIN 3
Spare	-	PIN 4
Spare	-	PIN 5



## COMPATIBLE DMX CABLING LIST

DMX uses a cable consisting of two twisted pairs plus a shield to carry data. The cable must be specifically impedance matched for the digital DMX signal, meaning that microphone cable or other non-rated cable **must not be used to carry DMX**. Network cable (Cat5, 5e or 6 cable) may be used to carry DMX in an installation; however special consideration must be given to shielding and termination. Under no circumstances should solid core cable like Cat5 be terminated into a screw down connector.

Meteor recommends the use of Belden 9729 or Belden 9841 for DMX installation. Belden 9729/9841 is a two pair cable, which allows for a spare pair for 'out and back' type terminations if needed.

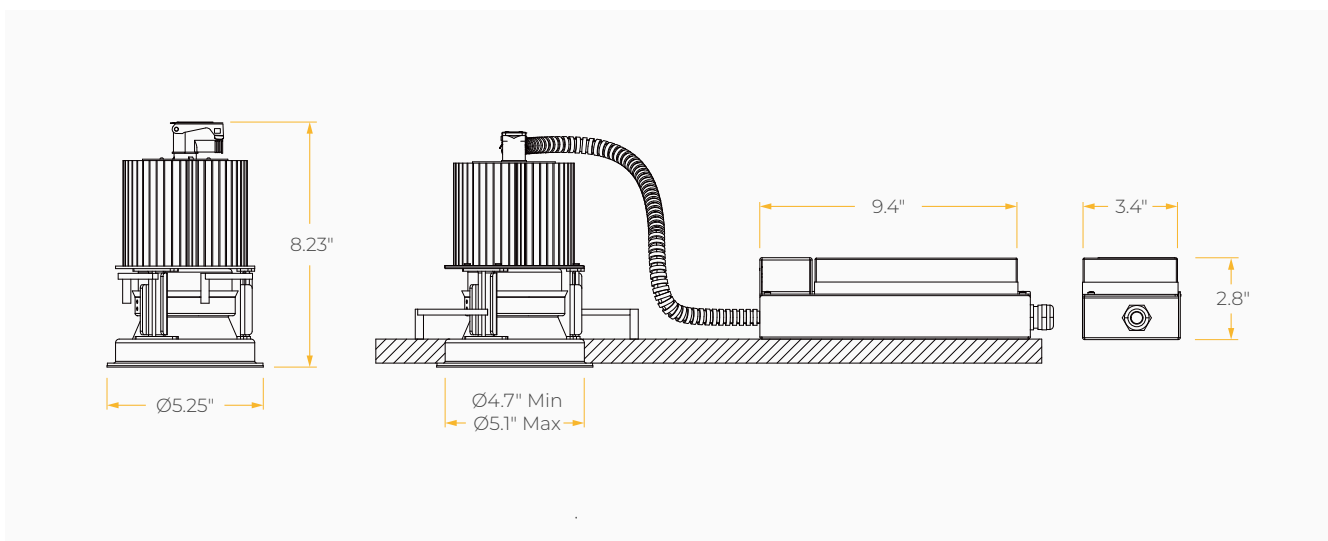
**COMPATIBLE TRC DIMMER LIST**

PART NO.					
Lutron DVCL-153P	Lutron TGCL-153P	Lutron S-600P	Lutron SELV-300P	Lutron CT-103P	Lutron DV603P
Lutron MAELV600	Lutron FAELV500	Lutron SCL-153P	Lutron MACL-153M	Lutron DVLV600P	Lutron RRD-6CL
Leviton IPI06-1LZ	Leviton VPE06	Leviton 6673-10W	Leviton VPI06-ILT	Leviton 6161	Leviton LGCL-153PL
Leviton IPL06	Cooper DLC03P-W	Cooper SLC03P	Cooper DAL06P	Cooper AAL06A-C2	

**COMPATIBLE LDE1 DIMMER LIST**

LUTRON PART NO.						
RMJ-ECO32-DV-B	FCJ/FCJS-ECO	QSN-1ECO-S	QSN-2ECO-S	QSGRJ-_E	QSGR-_E	QP2-_ _ 2C
QP2-_ _ 4C	QP2-_ _ 6C	QP2-_ _ 8C	LQSE-2ECO-D			

**DIMENSIONS**



**Lutron Athena Wireless / NX Radio Module**

