

# REIZEN

## INDIRECT ASYMMETRIC LUMINAIRE

SPECIFICATION SHEET  
OUTDOOR & NATATORIUM

### Housing

Diameter : 13" x 9.8"x4.33" | Weight : 19.8 lbs

### Material

Housing: High Pressure Die-Cast Aluminum  
Lens: Tempered Glass

### Power Input

100W, 150W, 200W, 300W | 120-277V, 347-480V

### Lumen Output

11,500 lm (100W), 20,850 lm (150W), 22,500 lm (200W), 40,850 lm (300W)

### Dimming

Standard 1-10V: Dims to 10%  
DALI: DALI dims to 1%

### Color Quality

CRI 85

### Rated Life

> 60,000 Hours (L70)

### Finish



Black



White

### Color Temperature



3000K



3500K



4000K



5000K

### Optics



Asymmetric

### Mounting



Stem  
Mount



210L & 370L  
Stem Mount



Wall  
Mount

### Warranty

5 Year limited warranty

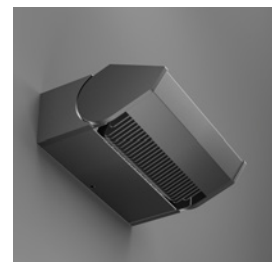
### Listing



## Light Shaping Prismatic Technology

Using the latest light shaping prismatic technology, the Reizen offers smooth uniform asymmetric lighting up to 40,850 lumens, and is suitable for both outdoor and natatorium use. It features Tunable White and W+RGB color changing options, offering a subtle yet dramatic flair to any space.

Superior performance, in a compact-sized fixture is a true highlight of the Reizen luminaire, which are available in both sconce and pendant forms.



# METEOR

[meteor-lighting.com](http://meteor-lighting.com)

SPECIFICATION SHEET / OUTDOOR & NATATORIUM

**REIZEN** INDIRECT ASYMMETRIC LUMINAIRE



**SPECIFICATION**

PROJECT NAME

DATE

CATALOG #

QUANTITY

<input type="checkbox"/>	<b>RI</b>	<b>MODEL</b>	<b>REIZEN</b>		
<input type="checkbox"/>		<b>LIGHT SOURCE</b>	<b>110L</b> 100W Light Engine <b>370L</b> 300W Light Engine	<b>190L</b> 150W Light Engine	<b>210L</b> 200W Light Engine
<input type="checkbox"/>		<b>CCT / CRI</b>	<b>308</b> 3000K / CRI 85 <b>507</b> 5000K / CRI 75	<b>358</b> 3500K / CRI 85	<b>408</b> 4000K / CRI 85
<input type="checkbox"/>		<b>VOLTAGE</b>	<b>UNV</b> 120 – 277V	<b>HVT</b> 347 – 480V	
<input type="checkbox"/>		<b>DIMMING</b>	<b>STV</b> Standard 1-10V dims to 10%	<b>DALI</b> DALI dims to 1%	
<input type="checkbox"/>	<b>ASY</b>	<b>BEAM ANGLE</b>	<b>ASY</b> Asymmetric		
<input type="checkbox"/>		<b>FINISH</b>	<b>BLK</b> Black	<b>WHT</b> White	
<input type="checkbox"/>		<b>MOUNTING</b>	<b>WLM</b> Wall Mount	<b>ST4</b> Stem 4ft	<b>ST8<sup>1</sup></b> Stem 8ft
<input type="checkbox"/>		<b>ACCESSORIES</b>	<b>NO</b> No Accessories	<b>GSV<sup>2</sup></b> Glare Shield Visor	
<input type="checkbox"/>		<b>RATING</b>	<b>OUT<sup>3</sup></b> Outdoor Rating	<b>NAT<sup>4</sup></b> Natatorium Rating	

<sup>1</sup> Includes two 4ft stem connected by an adapter

<sup>2</sup> Please factor in change in lumen output of -10%

<sup>3</sup> Outdoor Rating: Coating and wiring will be changed to high UV resistant and corrosion resistant materials for long-term operation in outdoor environments.

<sup>4</sup> Natatorium Rating: Coating and sealant will be changed to high corrosion resistant materials to prevent damage from long-term exposure to chlorine vapors.

**TECHNICAL DETAILS**

**Electrical**

- 11,500 lm (100W)
- 20,850 lm (150W)
- 22,500 lm (200W)
- 40,850 lm (300W)
- Power Input: Universal (120-277V), HVT(347-480V)
- Operating Temperature: -40°F~113°F
- Surge Protection: Built-in is 4KV
- Power Factor Greater than 0.9

**LED Features**

- Color Temperature: 3000K, 3500K, 4000K, 5000K
- CRI 85
- Long lasting LED luminaire tested under TM21 lumen maintenance L70 @ 60,000 Hrs

**Optics**

- Precision molded high transmittance clear PC lens
- Beam Angle: Asymmetric

**Advanced Dimming**

- Proprietary VX Driver™ is incorporated to all dimming options for video flicker-free lighting
- Standard 1-10V: Dims to 10%
- DALI: DALI dims to 1%

**Housing**

- Diameter & Weight:  
110L & 190L: 13" x 9.8" x 4.3", 19.8 lbs  
210L & 370L: 24.9" x 9.8" x 4.3", 38.8 lbs
- Diameter & Weight with Visor:  
110L & 190L: 13" x 14.8" x 4.3", 22.9 lbs  
210L & 370L: 24.9" x 14.8" x 4.3", 44.9 lbs
- Material: High Pressure Die-Cast Aluminum, Tempered Glass

**Mounting**

- Wall Mount
- Stem Mount

**Warranty**

- 5-year limited warranty

**Listing**

- ETL Wet Location Listed
- CE
- FCC
- UKCA
- IP 65

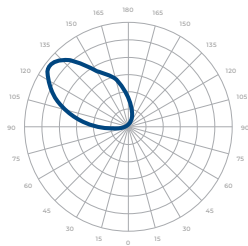
**PERFORMANCE SUMMARY\***

	Delivered Lumens			
CCT/WATTAGE	3000K	3500K	4000K	5000K
<b>110L (100W)</b>	10,150lm	10,600lm	10,900lm	11,500lm
<b>190L (150W)</b>	17,650lm	18,500lm	19,000lm	20,850lm
<b>210L (200W)</b>	19,850lm	20,500lm	21,350lm	22,500lm
<b>370L (300W)</b>	34,550lm	36,500lm	37,200lm	40,850lm

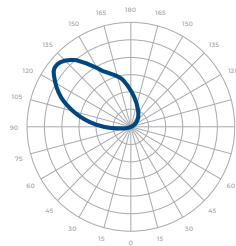
\*Tolerance ±8%

	Current Consumption	
LIGHT SOURCE	120V	277V
<b>110L (100W)</b>	0.92A	0.4A
<b>190L (150W)</b>	1.38A	0.6A
<b>210L (200W)</b>	1.83A	0.8A
<b>370L (300W)</b>	2.75A	1.2A

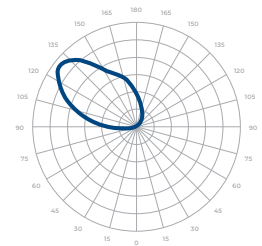
**PHOTOMETRICS**



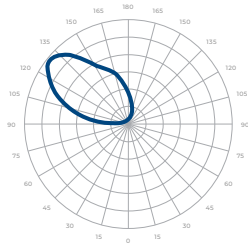
**110L**



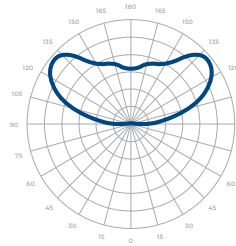
**190L**



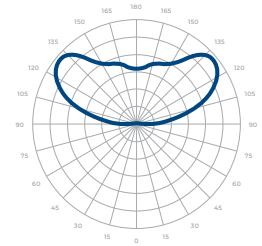
**210L**



**370L**



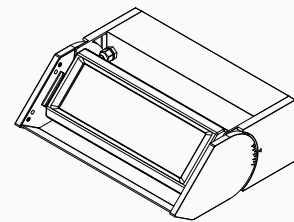
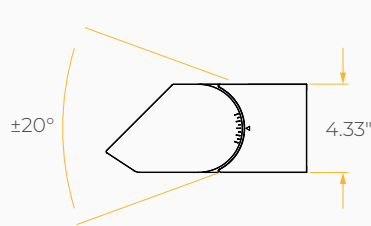
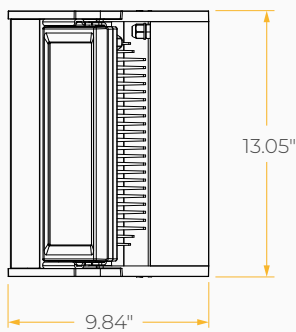
**210L - STEM**



**370L - STEM**

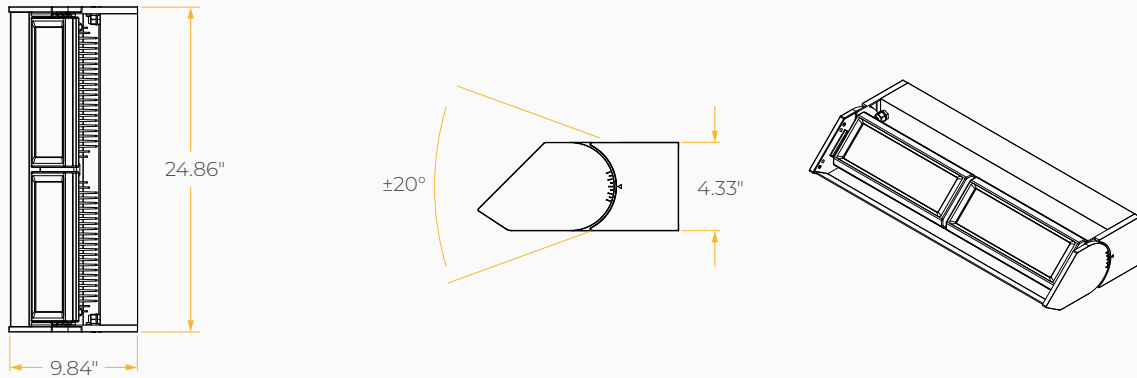
**DIMENSIONS**

**110L & 190L / Wall Mount**

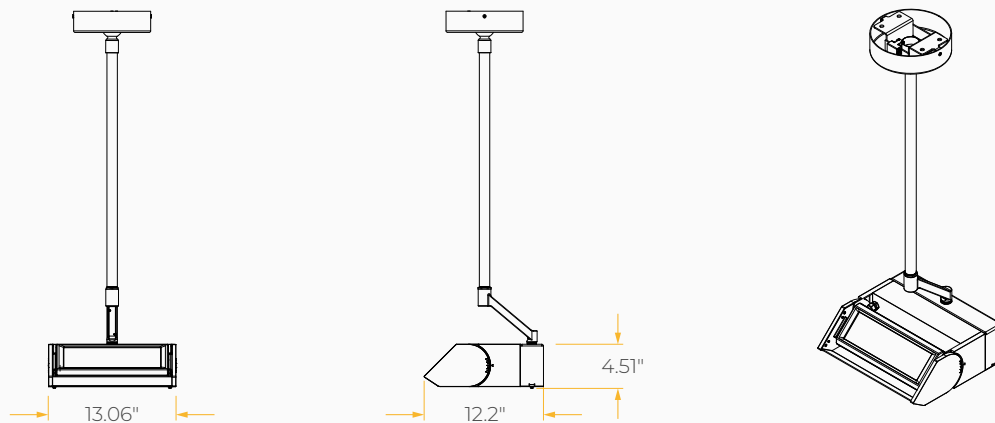


**DIMENSIONS**

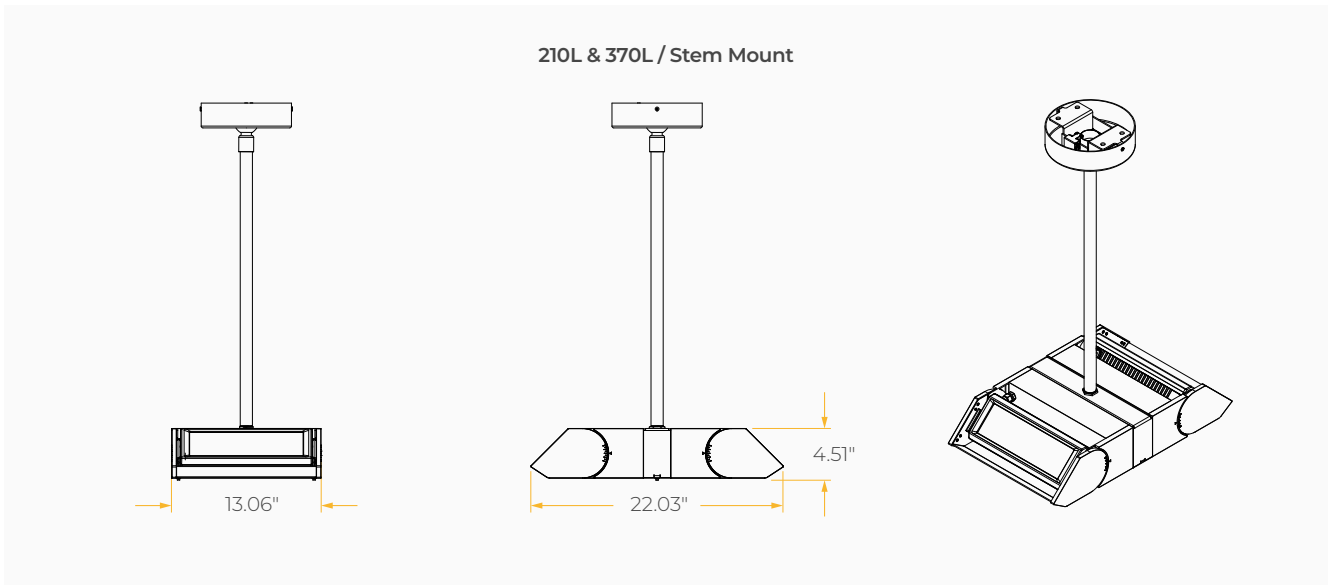
210L & 370L / Wall Mount



110L & 190L / Stem Mount



**DIMENSIONS**



**ACCESSORIES**

