

# REIZEN

## INDIRECT ASYMMETRIC LUMINAIRE

SPECIFICATION SHEET  
INDOOR - TUNABLE WHITE

### Housing

Diameter : 13" x 9.8"x4.3" | Weight : 19.8 lbs

### Material

Housing: High Pressure Die-Cast Aluminum  
Lens: Tempered Glass

### Power Input

110W | 120-277V

### Lumen Output

11,750 - 13,900 lm (110W)

### Dimming

Superior 0-10V: Dims to 1%  
DMX: High resolution dims to 0.1% (Supports ANSI E1.20 RDM protocol)

### Color Quality

CRI 85

### Rated Life

> 60,000 Hours (L70)

### Finish



Black



White

### Color Temperature



ColorFlip™ Tunable White  
3000K ↔ 5000K

### Optics



Asymmetric

### Mounting



Stem  
Mount



Wall  
Mount

### Warranty

5 Year limited warranty

### Listing



## Light Shaping Prismatic Technology

Using the latest light shaping prismatic technology, the Reizen offers smooth uniform asymmetric lighting up to 40,850 lumens, and is suitable for both outdoor and natatorium use. It features Tunable White and W+RGB color changing options, offering a subtle yet dramatic flair to any space.

Superior performance, in a compact-sized fixture is a true highlight of the Reizen luminaire, which are available in both sconce and pendant forms.



SPECIFICATION SHEET / INDOOR - TUNABLE WHITE

**REIZEN** INDIRECT ASYMMETRIC LUMINAIRE



**SPECIFICATION**

PROJECT NAME

DATE

CATALOG #

QUANTITY

<b>RI</b>	MODEL	<b>REIZEN</b>		
<b>110</b>	WATTAGE	<b>110</b> 110W		
<b>TNW</b>	CCT / CRI	<b>TNW</b> 3000K - 5000K		
<b>UNV</b>	VOLTAGE	<b>UNV</b> 120 – 277V		
	DIMMING	<b>SPV</b> Superior 0-10V dims to 1%	<b>DMXR</b> DMX dims to 0.1% (RJ45 Sockets)	
<b>ASY</b>	BEAM ANGLE	<b>ASY</b> Asymmetric		
	FINISH	<b>BLK</b> Black	<b>WHT</b> White	
	MOUNTING	<b>WLM1<sup>1</sup></b> Wall Mount	<b>ST4</b> Stem 4ft	<b>ST8<sup>2</sup></b> Stem 8ft
	ACCESSORIES	<b>NO</b> No Accessories	<b>GSV<sup>3</sup></b> Glare Shield Visor	

<sup>1</sup> Wall Mount DMX wiring is through 3 DMX Positive / Negative / Common wires

<sup>2</sup> Includes two 4ft stem connected by an adapter

<sup>3</sup> Please factor in change in lumen output of -10%

**TECHNICAL DETAILS**

**Electrical**

- 11,750 – 13,900 lm (110W)
- Power Input: Universal (120-277V)
- Operating Temperature: -40°F~113°F
- Surge Protection: Built-in is 4KV
- Power Factor Greater than 0.9

**LED Features**

- ColorFlip™ Tunable White 3000K ↔ 5000K
- 3000K / 85 CRI, 5000K / 75 CRI
- Long lasting LED luminaire tested under TM21 lumen maintenance L70 @ 60,000 Hrs

**Optics**

- Precision molded high transmittance clear PC lens
- Beam Angle: Asymmetric

**Advanced Dimming**

- Proprietary VX Driver™ is incorporated to all dimming options for video flicker-free lighting
- Superior 0-10V: Dims to 1%
- DMX: High resolution dims to 0.1% (Supports ANSI E1.20 RDM protocol)

**Housing**

- Diameter & Weight: 13" x 9.8" x 4.3", 19.8lbs
- Diameter & Weight with Visor: 13" x 14.8" x 4.3", 22.9lbs
- Material: High Pressure Die-Cast Aluminum, Tempered Glass

**Mounting**

- Wall Mount
- Stem Mount

**Warranty**

- 5-year limited warranty

**Listing**

- ETL Damp Location Listed
- CE
- FCC
- UKCA

**PERFORMANCE SUMMARY\***

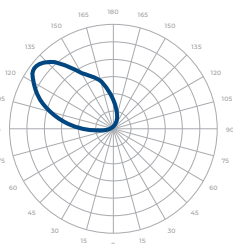
	Delivered Lumens				
ColorFlip™	3000K	3500K	4000K	4500K	5000K
DMX CCT Signal (%)	0%	25%	45%	60%	100%
0-10V CCT Voltage	0	2.5	4.5	6	10
TNW 110W Light Engine	11,750lm	12,850lm	13,950lm	13,925lm	13,900lm
CRI	85	83	82	80	75

Current Consumption		
Light Source	120V	277V
TNW (110W)	1.38A	0.6A

\* Tolerance ±8%

**PHOTOMETRICS**

Below is a typical photometric representation of the Reizen fixture. Please download IES files to ensure exact photometric value.



TNW

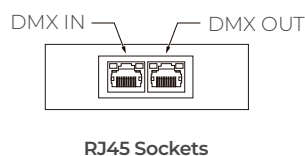
## DMX REQUIREMENTS

The Reizen Tunable White fixture with DMX unit has **two channels** per fixture (1 to control intensity, 1 to control color). When placing an order, please indicate DMX address. (The DMX address will be listed on the back of the fixture). Do not connect more than 32 fixtures per DMX daisy chain.

Fixture	DMX Address	
	Intensity Control (ex. X)	Color Control (ex. X+1)
#1	1	2
#2	3	4
#3	5	6

The fixture can be connected with RJ45 sockets. DMX cables **are not** included; please refer to compatible DMX cabling list for more information. The final fixture on each daisy chain should be terminated by the use of a DMX terminator purchased from a 3rd party or from Meteor.

CONNECTION	RJ45 (CAT5e)
Common	WHITE/BROWN(PIN7) & BROWN (PIN 8)
Signal -	ORANGE (PIN 2)
Signal +	WHITE/ORANGE (PIN 1)
Spare	-
Spare	-

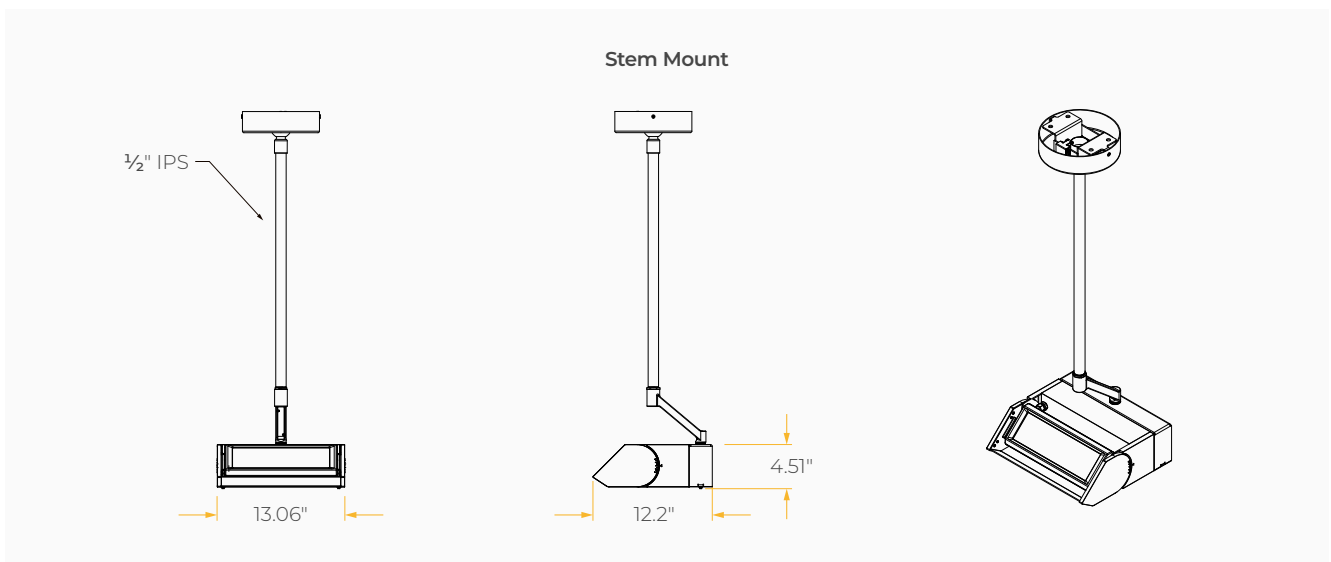
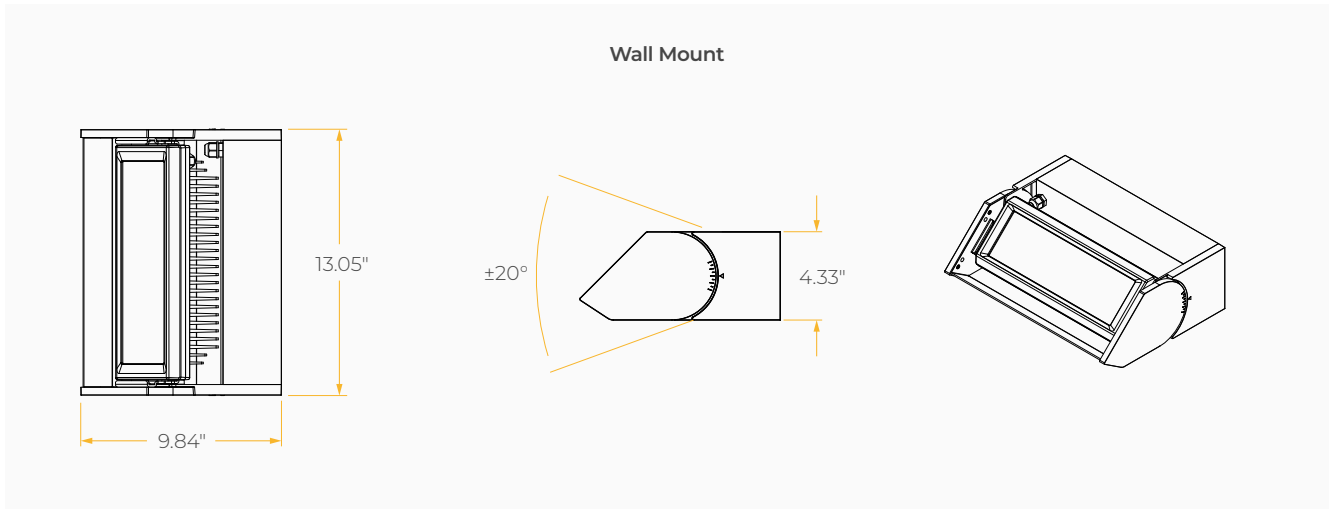


## COMPATIBLE DMX CABLING LIST

DMX uses a cable consisting of two twisted pairs plus a shield to carry data. The cable must be specifically impedance matched for the digital DMX signal, meaning that microphone cable or other non-rated cable **must not be used to carry DMX**. Network cable (Cat5, 5e or 6 cable) may be used to carry DMX in an installation; however special consideration must be given to shielding and termination. Under no circumstances should solid core cable like Cat5 be terminated into a screw down connector.

Meteor recommends the use of Belden 9729 or Belden 9841 for DMX installation. Belden 9729/9841 is a two pair cable, which allows for a spare pair for 'out and back' type terminations if needed.

**DIMENSIONS**



**ACCESSORIES**

