

REIZEN

SPECIFICATION SHEET
INDOOR

INDIRECT ASYMMETRIC LUMINAIRE

Housing

Diameter : 13" x 9.8" x 4.3" | Weight : 19.8 lbs

Material

Housing: High Pressure Die-Cast Aluminum
Lens: Tempered Glass

Power Input

100W, 150W, 200W, 300W | 120-277V, 347-480V

Lumen Output

11,500 lm (100W), 20,850 lm (150W), 22,500 lm (200W), 40,850 lm (300W)

Dimming

Standard 1-10V: Dims to 10%
Superior 0-10V: Dims to 1%
DMX: High resolution dims to 0.1%
DALI: DALI dims to 1%

Color Quality

CRI 75, CRI 85

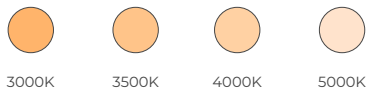
Rated Life

> 60,000 Hours (L70)

Finish



Color Temperature



Optics



Asymmetric

Mounting



Warranty

5 Year limited warranty

Listing



Light Shaping Prismatic Technology

Using the latest light shaping prismatic technology, the Reizen offers smooth uniform asymmetric lighting up to 40,850 lumens, and is suitable for both outdoor and natatorium use. It features Tunable White and W+RGB color changing options, offering a subtle yet dramatic flair to any space.

Superior performance, in a compact-sized fixture is a true highlight of the Reizen luminaire, which are available in both sconce and pendant forms.



METEOR

meteor-lighting.com

SPECIFICATION

PROJECT NAME

DATE

CATALOG #

QUANTITY

RI	MODEL	REIZEN		
	LIGHT SOURCE	110L 100W Light Engine 370L 300W Light Engine	190L 150W Light Engine	210L 200W Light Engine
	CCT / CRI	308 3000K / CRI 85 507 5000K / CRI 75	358 3500K / CRI 85	408 4000K / CRI 85
	VOLTAGE	UNV 120 – 277V	HVT 347 – 480V	
	DIMMING	STV Standard 1-10V dims to 10% DALI DALI dims to 1%	SPV ¹ Superior 0-10V dims to 1%	DMXR ¹ DMX dims to 0.1% (RJ45 Sockets)
ASY	BEAM ANGLE	ASY Asymmetric		
	FINISH	BLK Black	WHT White	
	MOUNTING	WLM ² Wall Mount	ST4 Stem 4ft	ST8 ³ Stem 8ft
	ACCESSORIES	NO No Accessories	GSV ⁴ Glare Shield Visor	EMP Remote Emergency Pack

¹ Not compatible with 210L & 370L Stem Mounts

² Wall Mount DMX wiring is through 3 DMX Positive / Negative / Common wires

³ Includes two 4ft stem connected by an adapter

⁴ Please factor in change in lumen output of -10%

TECHNICAL DETAILS

Electrical

- 11,500 lm (100W)
- 20,850 lm (150W)
- 22,500 lm (200W)
- 40,850 lm (300W)
- Power Input: Universal (120-277V), HVT(347-480V)
- Operating Temperature: -40°F~113°F
- Surge Protection: Built-in is 4KV
- Power Factor Greater than 0.9

LED Features

- Color Temperature: 3000K, 3500K, 4000K, 5000K
- CRI 75, CRI 85
- Long lasting LED luminaire tested under TM21 lumen maintenance L70 @ 60,000 Hrs

Optics

- Precision molded high transmittance clear PC lens
- Beam Angle: Asymmetric

Advanced Dimming

- Proprietary VX Driver™ is incorporated to all dimming options for video flicker-free lighting
- Standard 1-10V: Dims to 10%
- Superior 0-10V : Dims to 1%
- DMX : High resolution dims to 0.1% (Supports ANSI E1.20 RDM protocol)
- DALI: DALI dims to 1%

Housing

- Diameter & Weight:
 110L & 190L: 13" x 9.8" x 4.3", 19.8 lbs
 210L & 370L: 24.9" x 9.8" x 4.3", 38.8 lbs
- Diameter & Weight with Visor:
 110L & 190L: 13" x 14.8" x 4.3", 22.9 lbs
 210L & 370L: 24.9" x 14.8" x 4.3", 44.9 lbs
- Material: High Pressure Die-Cast Aluminum, Tempered Glass

Mounting

- Wall Mount
- Stem Mount

Warranty

- 5-year limited warranty

Listing

- ETL Damp Location Listed
- CE
- FCC
- UKCA

PERFORMANCE SUMMARY*

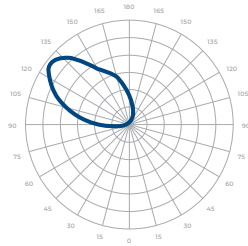
	Delivered Lumens			
CCT/WATTAGE	3000K	3500K	4000K	5000K
110L (100W)	10,150lm	10,600lm	10,900lm	11,500lm
190L (150W)	17,650lm	18,500lm	19,000lm	20,850lm
210L (200W)	19,850lm	20,500lm	21,350lm	22,500lm
370L (300W)	34,550lm	36,500lm	37,200lm	40,850lm

*Tolerance ±8%

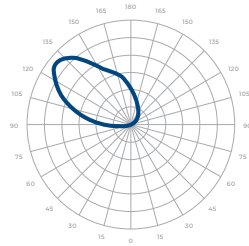
	Current Consumption	
LIGHT SOURCE	120V	277V
110L (100W)	0.92A	0.4A
190L (150W)	1.38A	0.6A
210L (200W)	1.83A	0.8A
370L (300W)	2.75A	1.2A

PHOTOMETRICS

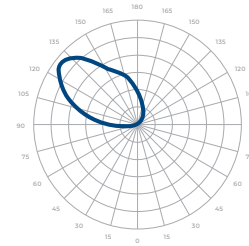
Below is a typical photometric representation of the Reizen fixture. Please download IES files to ensure exact photometric value.



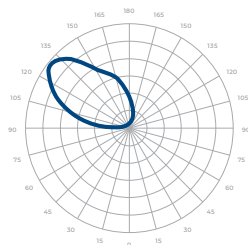
110L



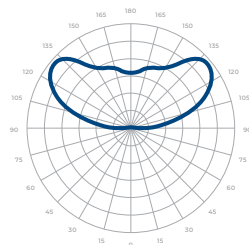
190L



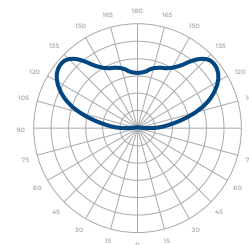
210L



370L



210L - STEM



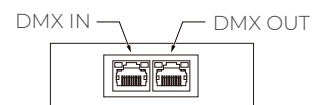
370L - STEM

DMX REQUIREMENTS

The Reizen fixture with DMX is a **single channel dmx** unit. When placing an order, please indicate DMX address. (The DMX address will be listed on the back of the fixture). Do not connect more than 32 fixtures per DMX daisy chain.

The fixture can be connected with RJ45 or XLR sockets. DMX cables **are not** included; please refer to compatible DMX cabling list for more information. The final fixture on each daisy chain should be terminated by the use of a DMX terminator purchased from a 3rd party or from Meteor.

CONNECTION	RJ45 (CAT5e)
Common	WHITE/BROWN(PIN7) & BROWN (PIN 8)
Signal -	ORANGE (PIN 2)
Signal +	WHITE/ORANGE (PIN 1)
Spare	-
Spare	-



RJ45 Sockets

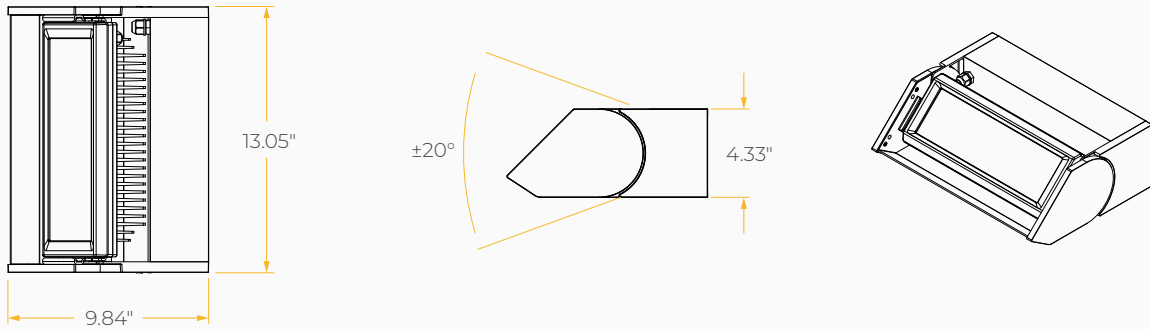
COMPATIBLE DMX CABLING LIST

DMX uses a cable consisting of two twisted pairs plus a shield to carry data. The cable must be specifically impedance matched for the digital DMX signal, meaning that microphone cable or other non-rated cable **must not be used to carry DMX**. Network cable (Cat5, 5e or 6 cable) may be used to carry DMX in an installation; however special consideration must be given to shielding and termination. Under no circumstances should solid core cable like Cat5 be terminated into a screw down connector.

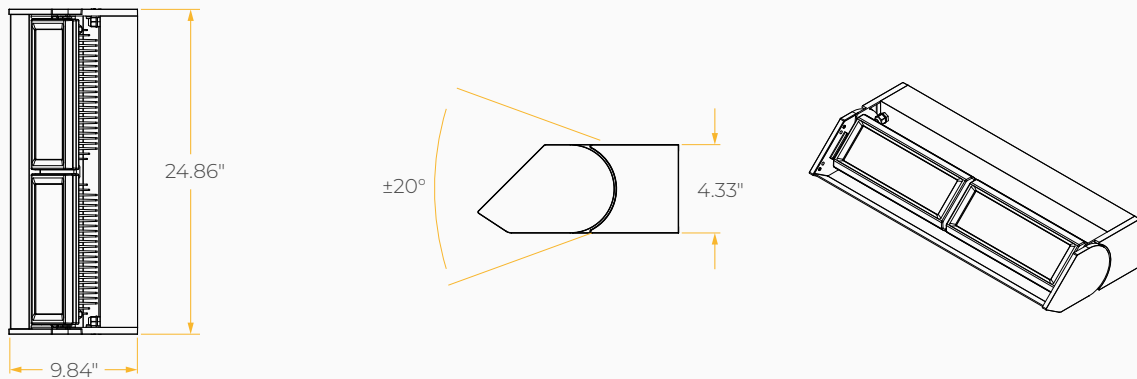
Meteor recommends the use of Belden 9729 or Belden 9841 for DMX installation. Belden 9729/9841 is a two pair cable, which allows for a spare pair for 'out and back' type terminations if needed.

DIMENSIONS

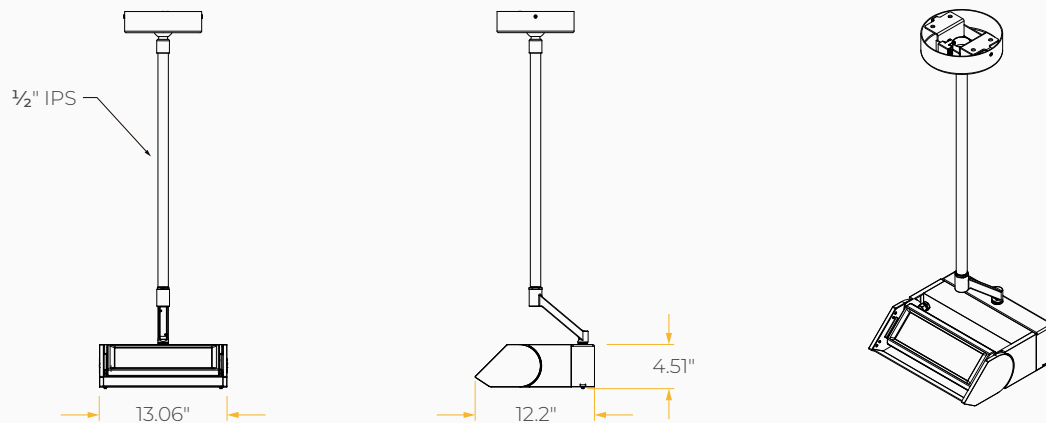
110L & 190L / Wall Mount



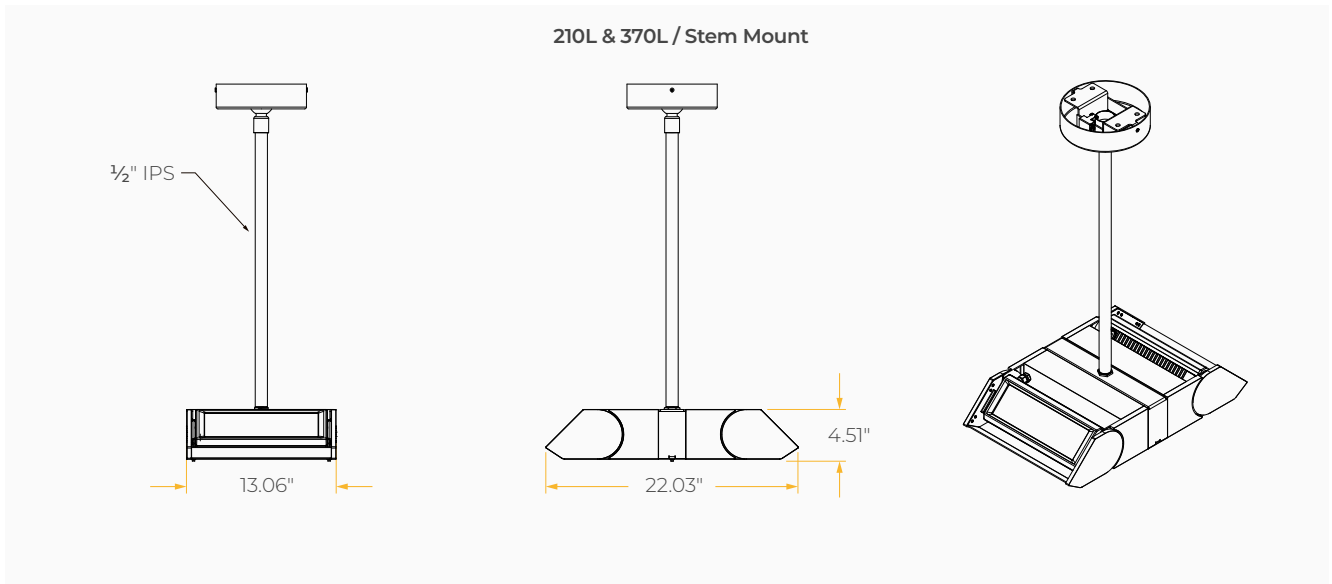
210L & 370L / Wall Mount



110L & 190L / Stem Mount



DIMENSIONS



ACCESSORIES

