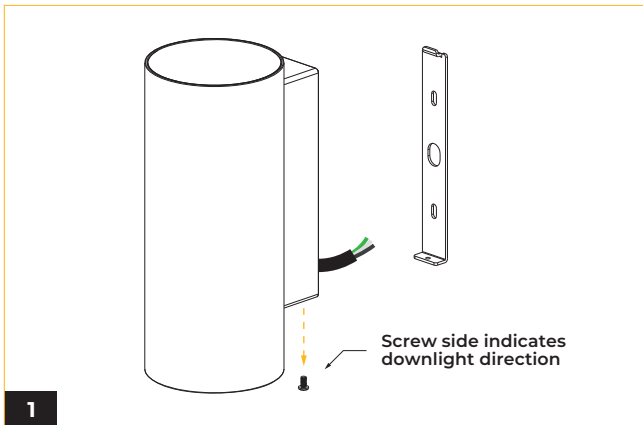


## **IMPORTANT SAFETY INFORMATION** READ AND FOLLOW ALL SAFETY INSTRUCTIONS

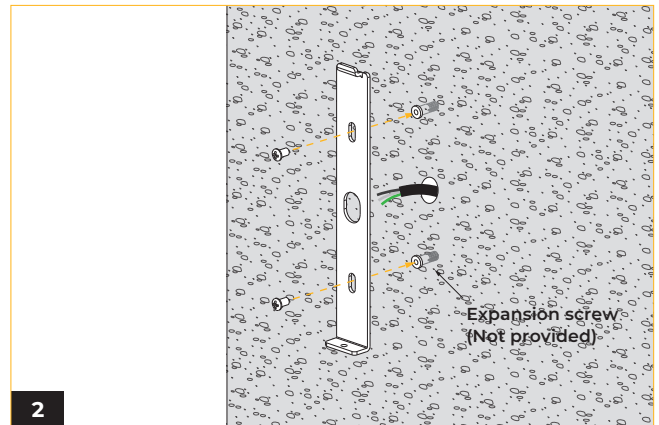
- Before wiring to power supply and during servicing or relamping, turn off power at fuse or circuit breaker.
- All servicing or relamping must be performed by qualified service personnel.
- Product must be grounded to avoid potential electric shock or other potential hazard.
- Product must be installed at locations and heights, in a manner consistent with its intended use, and in compliance with Electrical Code and local codes.

**SAVE THESE INSTRUCTIONS FOR FUTURE REFERENCE**

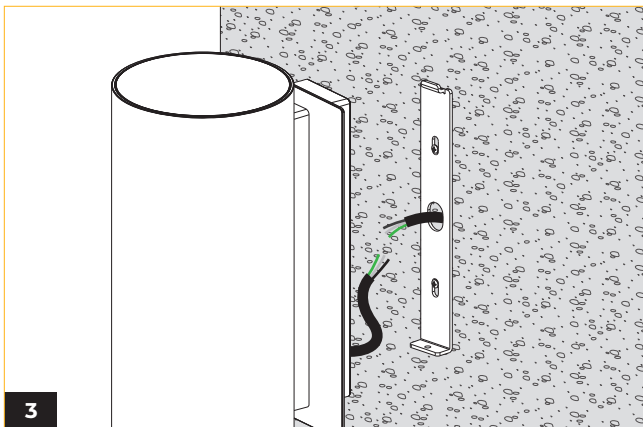
# LANCE 4



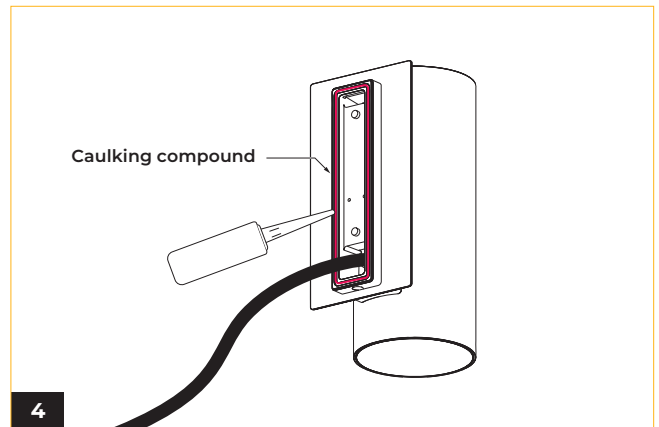
Remove the bottom screw and detach mounting plate from cylinder.



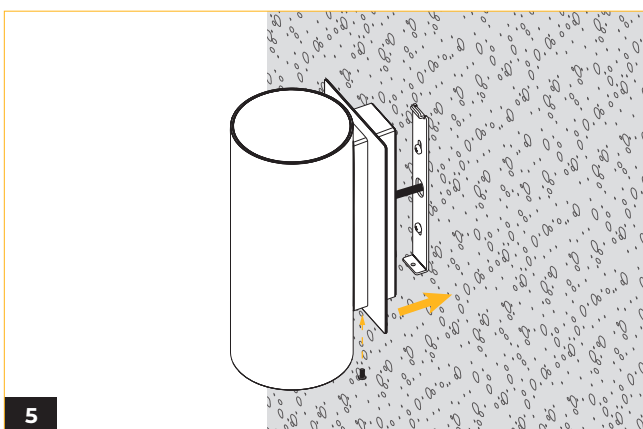
Attach mounting plate directly to wall. Use expansion screws (Not provided) if mounting on concrete.



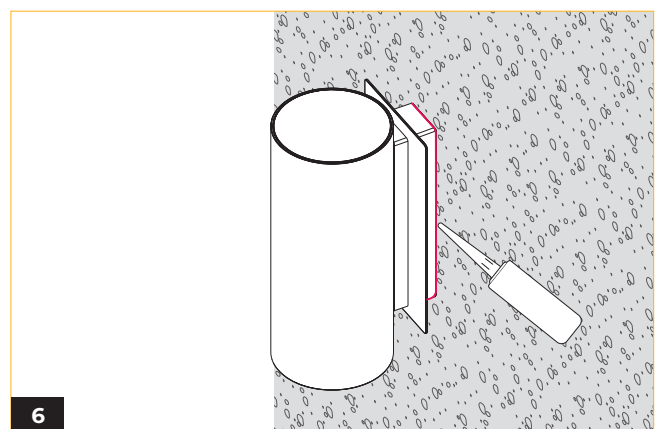
Slide in the cover plate to the cylinder and make electrical connections depending on dimming type (see wiring diagram).



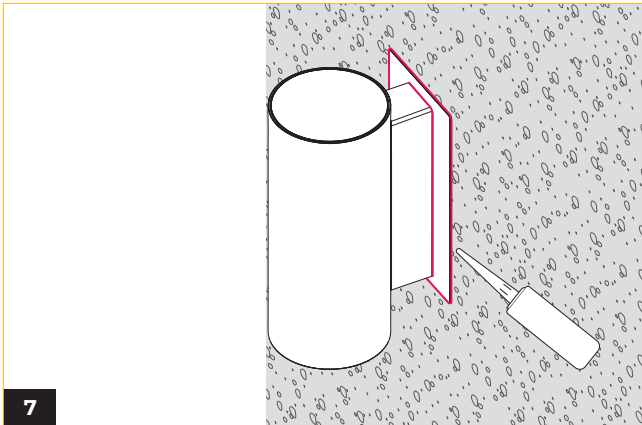
Apply silicone-based caulking compound along the perimeter of the mounting plate.



Attach cylinder fixture to mounting plate and secure by tightening the bottom screw.



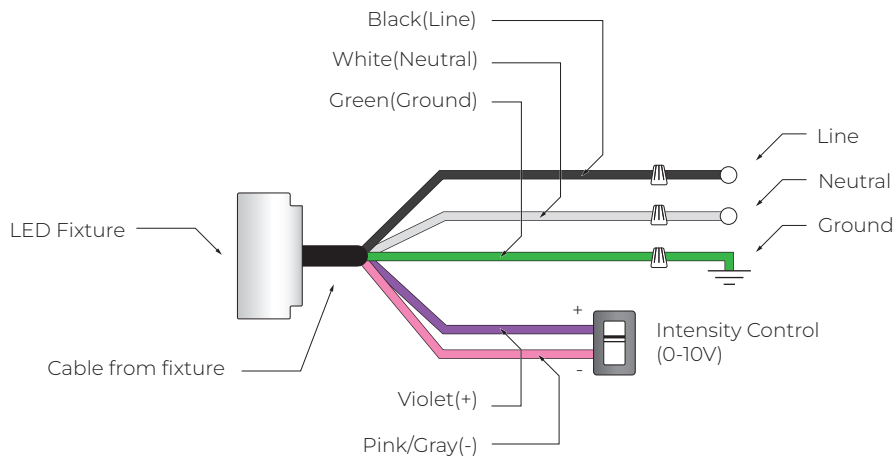
Apply silicone-based caulking compound along the perimeter of the wall mount bracket.



Slide the cover plate onto the surface, and apply one last silicone-based caulk compound along the perimeter of the fixture grooves.

WIRING DIAGRAM

0-10V / Superior 0-10V



LTE

