

EDGE 4

AESTHETIC SQUARE CYLINDER
WITH POWER CORD FREE DESIGN

Housing

Diameter : Ø4" | Height : 9.5" | Weight : 8 lbs

Material

Housing : Extruded Aluminum

Reflector : Flow Forming Aluminum

Power Input

15W, 25W, 35W, 45W | 120V-277V

Lumen Output

1,330 lm (15W), 2,160 lm (25W), 3,150 lm (35W), 4,000 lm (45W)

Dimming

Standard 0-10V : Dims to 10%

Superior 0-10V : Dims to 1%

DMX : High resolution dims to 0.1% (Supports ANSI E1.20 RDM protocol)

LDE1 : Hi-Lume 1% EcoSystem LED Driver with Soft-on, Fade-to-Black (UNV only)

TRC: Linear line-voltage phase control, dims to 1%

Color Quality

CRI 85, CRI 93

Rated Life

> 60,000 Hours (L70)

Finish



Black



White

Color Temperature



2700K



3000K



3500K



4000K

Optics



35°



45°



60°



Wide

Mounting



Stem
Mount



Cord
Mount



Power Line
Mount



Surface
Mount

Warranty

5 Year limited warranty

Listing



Precision Engineered For High Performance.

4-inch aperture square pendant with a lumen package range of 1300 - 4000 lumens.

Compatible with all 0-10v dimming controls and DMX dimming with ANSI E1.20 RDM Protocol.

This aesthetic luminaire is designed to elevate and illuminate beautiful spaces.



SPECIFICATION SHEET

EDGE 4 AESTHETIC SQUARE CYLINDER WITH POWER CORD FREE DESIGN



SPECIFICATION

PROJECT NAME

DATE

CATALOG #

QUANTITY

ED4	MODEL	EDGE 4		
	WATTAGE	15 15W 45 45W	25 25W	35 35W
	CCT / CRI	278 2700K / CRI 85 309 3000K / CRI 93 408 4000K / CRI 85	279 2700K / CRI 93 358 3500K / CRI 85	308 3000K / CRI 85 359 3500K / CRI 93
UNV	VOLTAGE	UNV 120-277V		
	DIMMING	STV Standard 0-10V dims to 10% LDE1 Hi-Lume 1% EcoSystem LED Driver with Soft-on, Fade-to-Black	SPV Superior 0-10V dims to 1% TRC Linear line-voltage phase control, dims to 1%	DMX(RJ45) DMX dims to 0.1% (RJ45 Sockets)
	BEAM ANGLE	35 35° WD ³ Wide	45 45°	60 60°
	FINISH	BLK Black	WHT White	
	TRIM FINISH	BLK Black	SLV Silver	
	MOUNTING	PL2 (2 / 4 / 6 / 8 / 10) Power Line Mount (2, 4, 6, 8, and 10 ft.) ST4 Stem 4ft	CM10 Cord Mount 10ft SUM ⁴ Surface Mount	ST2 Stem 2ft
	ACCESSORIES	NO No Accessories	RM ⁵ Remote Power	FCS Field Cut Stem Adapter Kit

¹ Option is only compatible with remote power

² Option is only compatible with 120V

³ Please factor in change in lumen output of -20% with WD

⁴ Option only compatible with standard canopy

⁵ Remote Power comes with a shallow canopy

SPECIFICATION SHEET

EDGE 4

AESTHETIC SQUARE CYLINDER
WITH POWER CORD FREE DESIGN



TECHNICAL DETAILS

Electrical

- 1,330 lm (15W)
- 2,160 lm (25W)
- 3,150 lm (35W)
- 4,000 lm (45W)
- Power Input: Universal (120-277V)
- Operating Temperature: 14°F~104°F
- Surge Protection: Built-in is 2KV
- Power Factor Greater than 0.9

LED Features

- Color Temperature : 2700K, 3000K, 3500K, 4000K
- CRI 85, CRI 93
- UGR ≤19
- Long lasting LED luminaire tested under TM21 lumen maintenance L70 @ 60,000 Hrs

Optics

- Flow Forming Aluminum Reflector
- Beam Angle : 35°, 45°, 60°, WD

Advanced Dimming

- Proprietary VX Driver™ is incorporated to all dimming options for video flicker-free lighting
- Standard 0-10V : Dims to 10%
- Superior 0-10V : Dims to 1%
- DMX : High resolution dims to 0.1% (Supports ANSI E1.20 RDM protocol)
- LDE1 : Hi-Lume 1% EcoSystem LED Driver with Soft-on, Fade-to-Black (UNV only)
- TRC: Linear line-voltage phase control, dims to 1% (120V only)

Housing

- Diameter: Ø4"
- Height : 9.5"
- Weight : 8 lbs
- Material : Extruded Aluminum

Mounting

- PowerLine Mount 2ft, 4ft, 6ft, 8ft, 10ft with High Lumen Power Suspension
- Stem 2ft or 4ft
- Cord Mount 10ft
- Surface Mount

Warranty

- 5-year limited warranty

Listing

- ETL Damp Location Listed
- CE
- FCC

PERFORMANCE SUMMARY*

Delivered Lumens				
CCT/WATTAGE	2700K	3000K	3500K	4000K
15W	1,200lm	1,260lm	1,300lm	1,330lm
25W	1,950lm	2,030lm	2,100lm	2,160lm
35W	2,850lm	2,910lm	3,060lm	3,150lm
45W	3,550lm	3,700lm	3,820lm	4,000lm

Current Consumption		
WATTAGE / VOLT	120V	277V
15W	0.14A	0.06A
25W	0.23A	0.1A
35W	0.32A	0.14A
45W	0.41A	0.18A

* Beam Angle 35° Tolerance ±8%

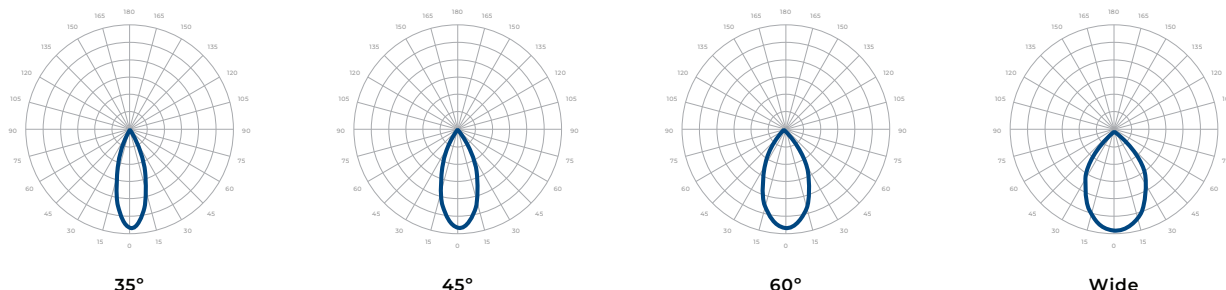
SPECIFICATION SHEET

EDGE 4 AESTHETIC SQUARE CYLINDER WITH POWER CORD FREE DESIGN



PHOTOMETRICS

Below is a typical photometric representation of the Edge 4 fixture. Please download IES files to ensure exact photometric value.

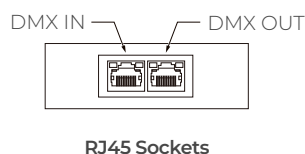


DMX REQUIREMENTS

The Edge 4 fixture with DMX is a **single channel dmx** unit. When placing an order, please indicate DMX address. (The DMX address will be listed on the back of the fixture). Do not connect more than 32 fixtures per DMX daisy chain.

The fixture can be connected with RJ45 sockets. DMX cables **are not** included; please refer to compatible DMX cabling list for more information. The final fixture on each daisy chain should be terminated by the use of a DMX terminator purchased from a 3rd party or from Meteor.

CONNECTION	RJ45 (CAT5e)
Common	WHITE/BROWN(PIN7) & BROWN (PIN 8)
Signal -	ORANGE (PIN 2)
Signal +	WHITE/ORANGE (PIN 1)
Spare	-
Spare	-



COMPATIBLE DMX CABLING LIST

DMX uses a cable consisting of two twisted pairs plus a shield to carry data. The cable must be specifically impedance matched for the digital DMX signal, meaning that microphone cable or other non-rated cable **must not be used to carry DMX**. Network cable (Cat5, 5e or 6 cable) may be used to carry DMX in an installation; however special consideration must be given to shielding and termination. Under no circumstances should solid core cable like Cat5 be terminated into a screw down connector.

Meteor recommends the use of Belden 9729 or Belden 9841 for DMX installation. Belden 9729/9841 is a two pair cable, which allows for a spare pair for 'out and back' type terminations if needed.

COMPATIBLE LDE1 DIMMER LIST

LUTRON PART NO.						
RMJ-ECO32-DV-B	FCJ/FCJS-ECO	QSN-1ECO-S	QSN-2ECO-S	QSGRJ-_E	QSGR-_E	QP2-__2C
QP2-__4C	QP2-__6C	QP2-__8C	LQSE-2ECO-D			

SPECIFICATION SHEET

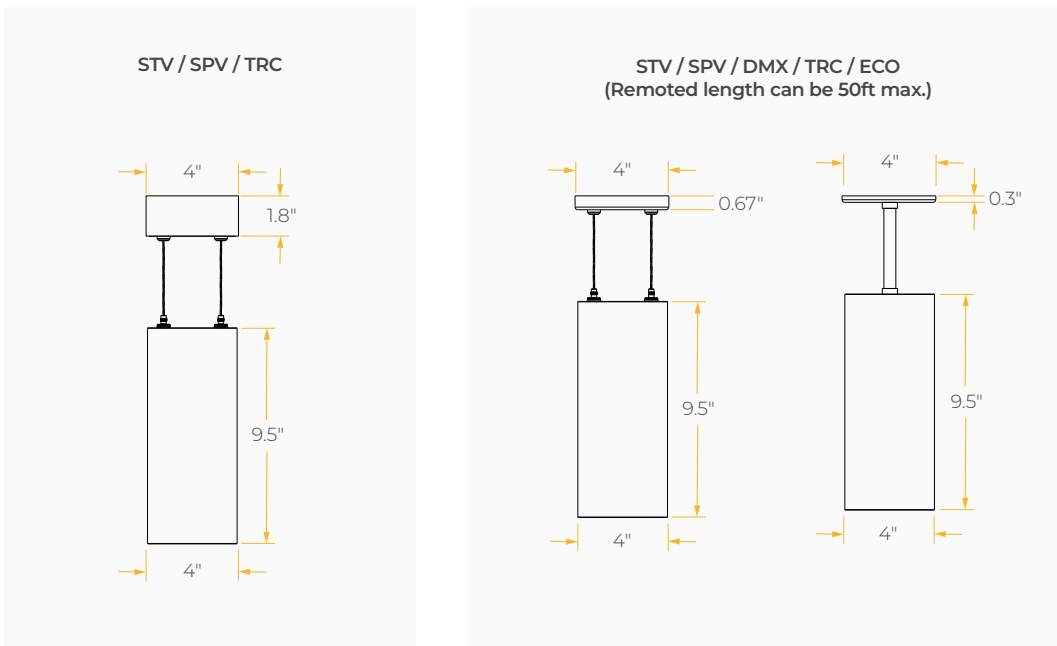
EDGE 4 AESTHETIC SQUARE CYLINDER WITH POWER CORD FREE DESIGN



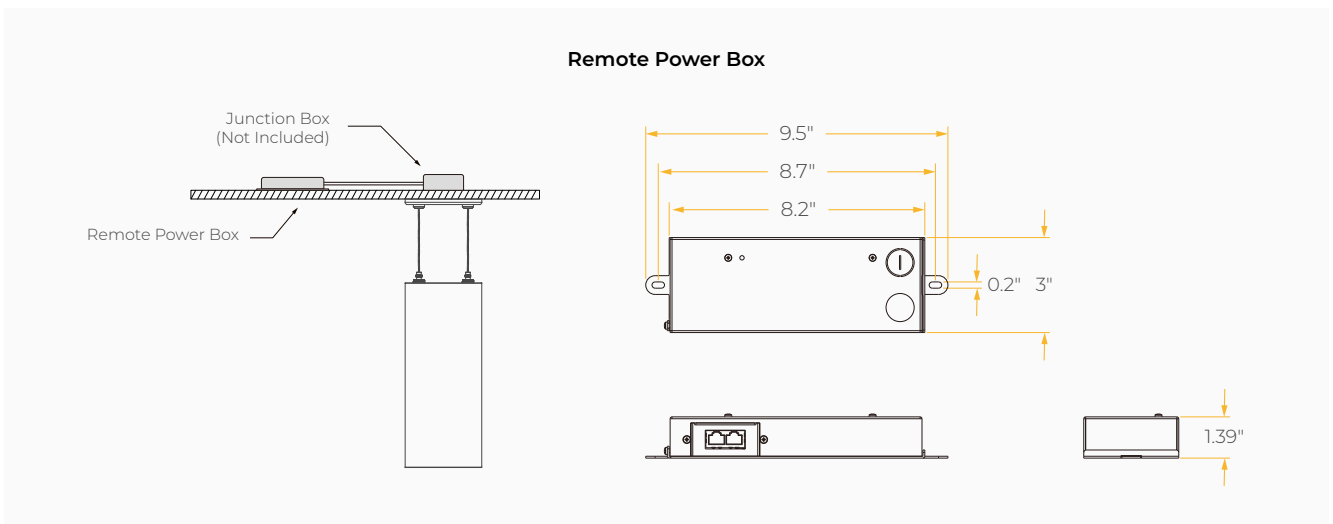
COMPATIBLE TRC DIMMER LIST

PART NO.					
Lutron S-603PG	Lutron DVCL-153P	Lutron DVLV-600P	Lutron TGCL-153P	Lutron S-600P	Lutron DVELV-303P
Lutron SELV-300P	Lutron TG-600P	Lutron DVLV-600P	Lutron LG-600P	Lutron CT-103P	Lutron MAELV-600
Lutron FAELV-500	Leviton IPI06-1LZ	Leviton 6631-2	Leviton VPE06	Leviton 6683-IW	Leviton 6161
Leviton 6633-P	Leviton IPE04	Cooper DLC03P	Cooper SLC03P	Cooper DAL06P	Lightolier ZP260QEW

DIMENSIONS



DIMENSIONS



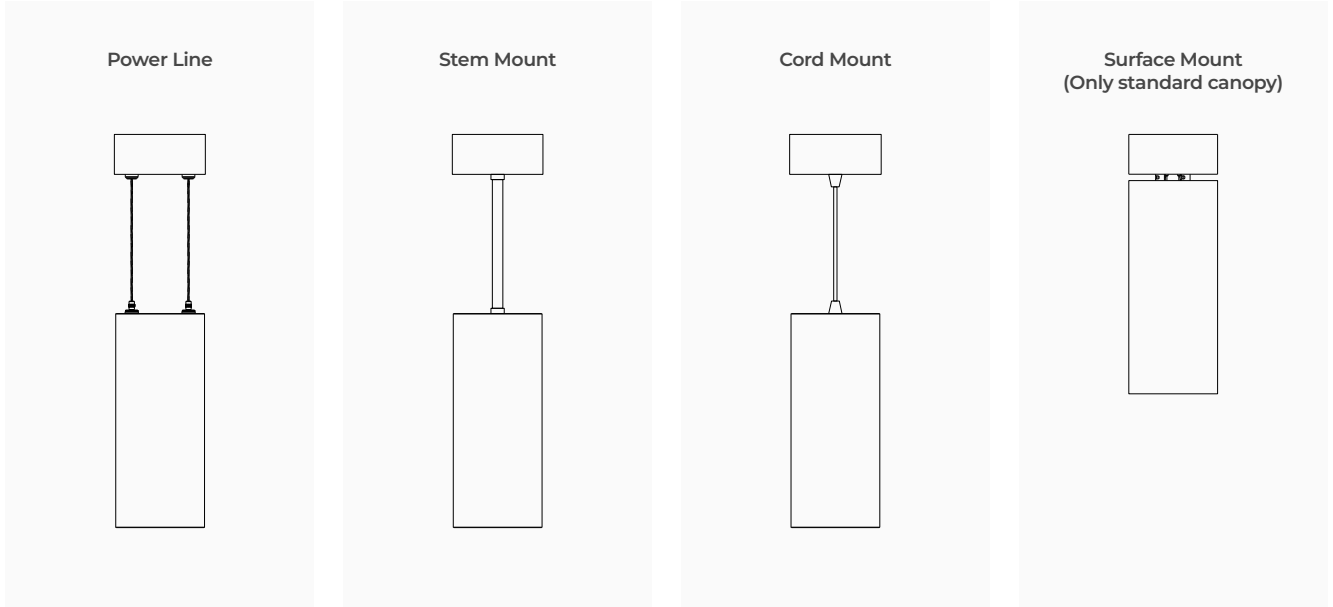
SPECIFICATION SHEET

EDGE 4 AESTHETIC SQUARE CYLINDER
WITH POWER CORD FREE DESIGN



MOUNTING OPTIONS

**Standard Driver-In Canopy Mounting Options*



REMOTE DRIVER CANOPY MOUNTING OPTIONS

