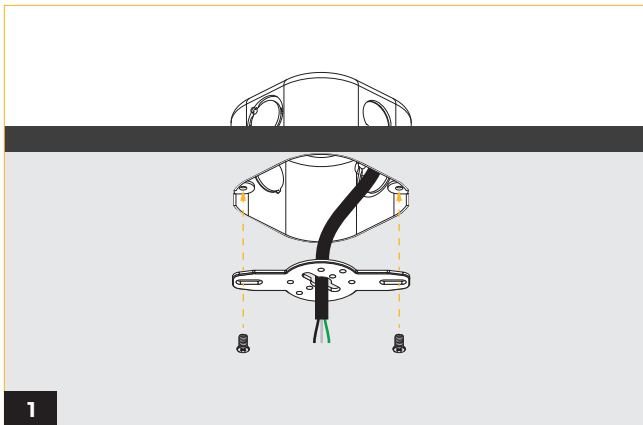


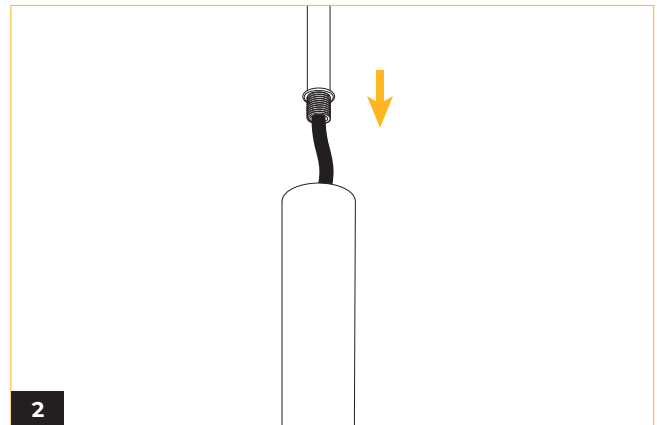
IMPORTANT SAFETY INFORMATION READ AND FOLLOW ALL SAFETY INSTRUCTIONS

- Before wiring to power supply and during servicing or relamping, turn off power at fuse or circuit breaker.
- All servicing or relamping must be performed by qualified service personnel.
- Product must be grounded to avoid potential electric shock or other potential hazard.
- Product must be installed at locations and heights, in a manner consistent with its intended use, and in compliance with Electrical Code and local codes.

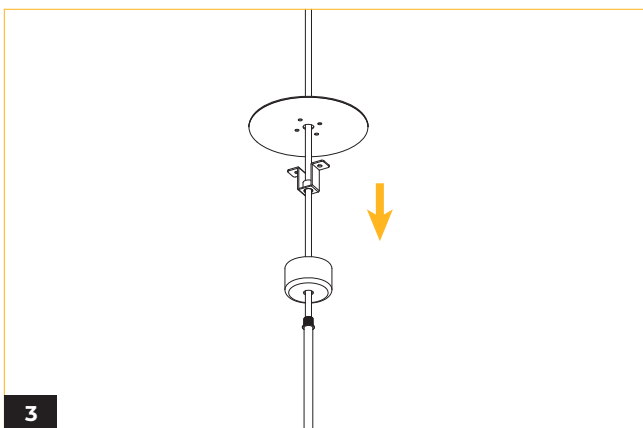
SAVE THESE INSTRUCTIONS FOR FUTURE REFERENCE



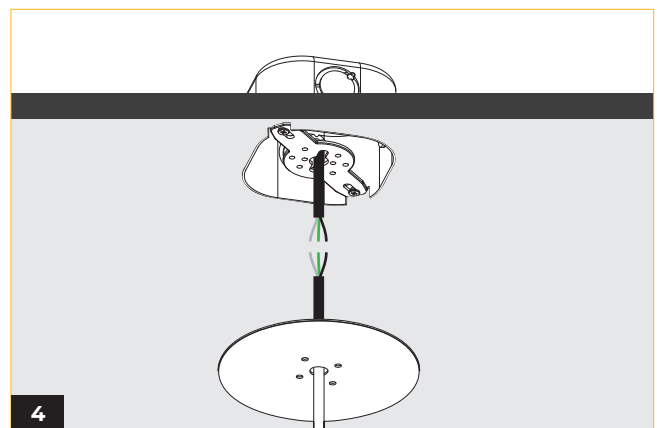
1 Secure the crossbar to junction box (by others), using two phillips screws.



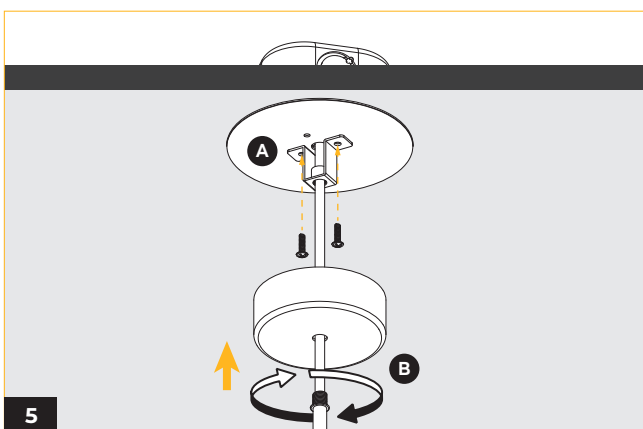
2 Thread wires from luminaire through the stem and secure in place.



3 Thread wires through canopy mount, bracket and plate.



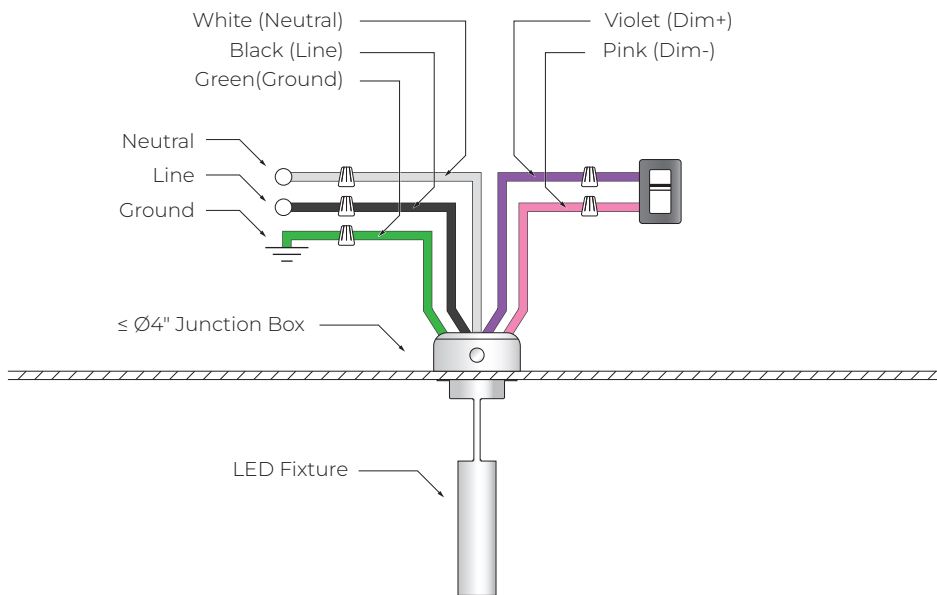
4 Make electrical connections between crossbar and mounting plate. Refer to the wiring diagram for more detailed instructions.



5 (A) Fasten canopy plate in place using 2 phillips screws.
(B) Cover with cord mount cover.

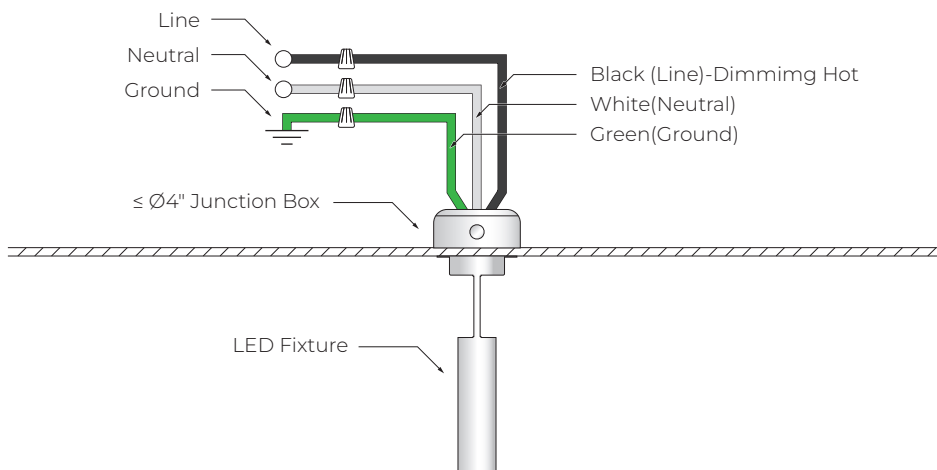
WIRING DIAGRAM

0-10V / Superior 0-10V



*Not to Scale

TRIAC



*Not to Scale