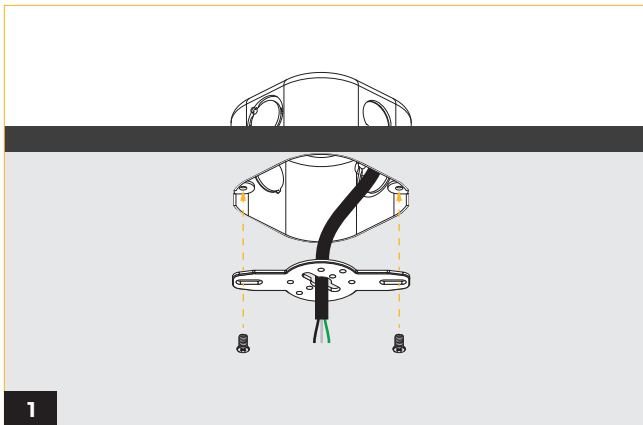


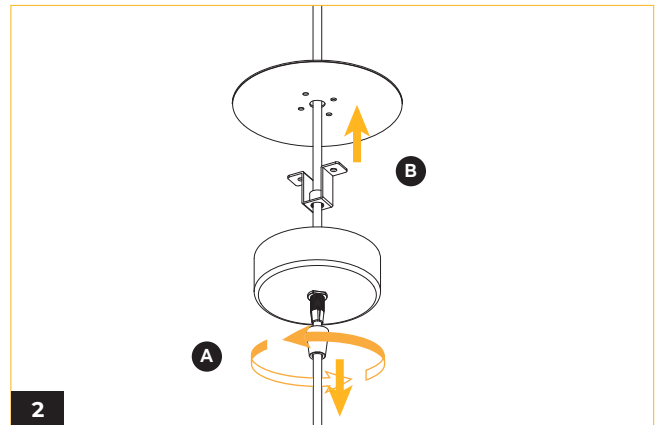
IMPORTANT SAFETY INFORMATION READ AND FOLLOW ALL SAFETY INSTRUCTIONS

- Before wiring to power supply and during servicing or relamping, turn off power at fuse or circuit breaker.
- All servicing or relamping must be performed by qualified service personnel.
- Product must be grounded to avoid potential electric shock or other potential hazard.
- Product must be installed at locations and heights, in a manner consistent with its intended use, and in compliance with Electrical Code and local codes.

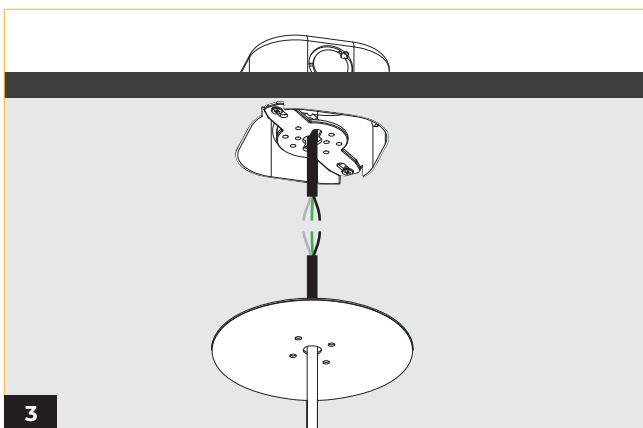
SAVE THESE INSTRUCTIONS FOR FUTURE REFERENCE



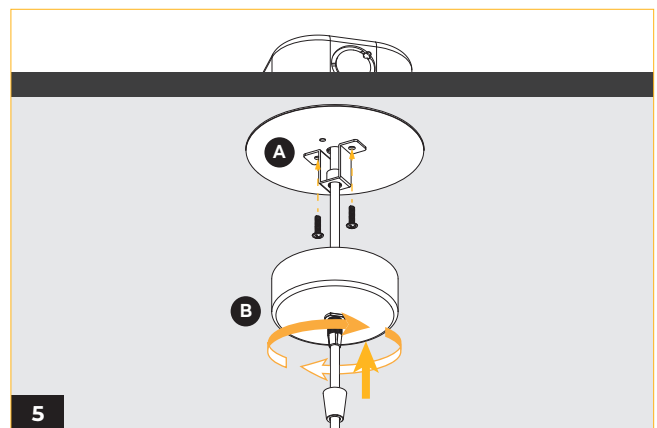
1 Secure the crossbar to junction box (by others), using two phillips screws.



2 Remove the base and cap of the cord grip, adjust mounting length accordingly. Once adjusted to a desired height, slip cord through canopy plate.

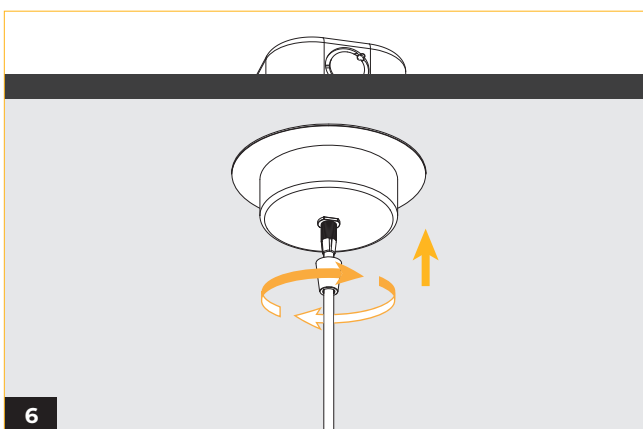


3 Make electrical connections between crossbar and mounting plate. Refer to the wiring diagram for more detailed instructions.



5 (A) Fasten canopy plate in place using 2 phillips screws. (B) Cover the canopy plate with the canopy cover, and secure it by screwing in the cord grip base.

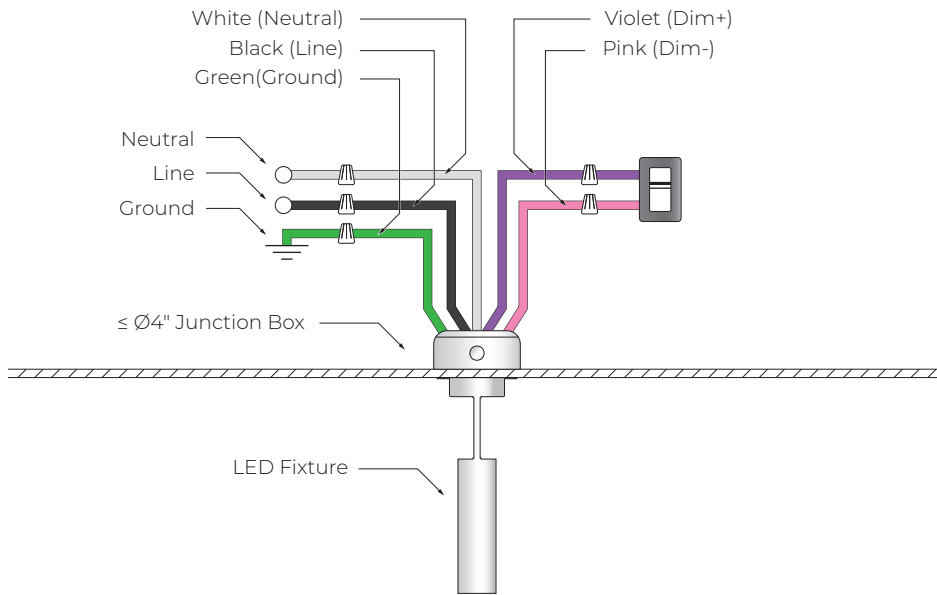
** Caution when applying force during the installation of the cord grip base to avoid any potential damage or breakage.*



6 Screw in the cord grip cap to finish the installation.

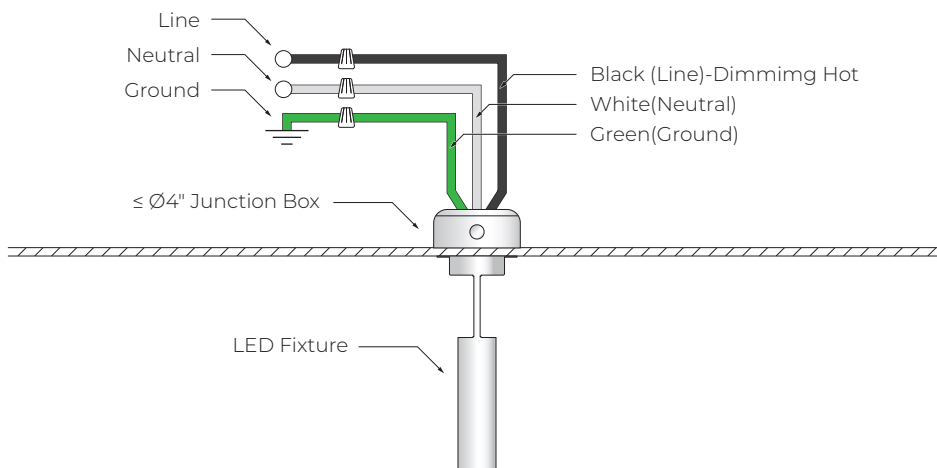
WIRING DIAGRAM

0-10V / Superior 0-10V



*Not to Scale

TRIAC



*Not to Scale