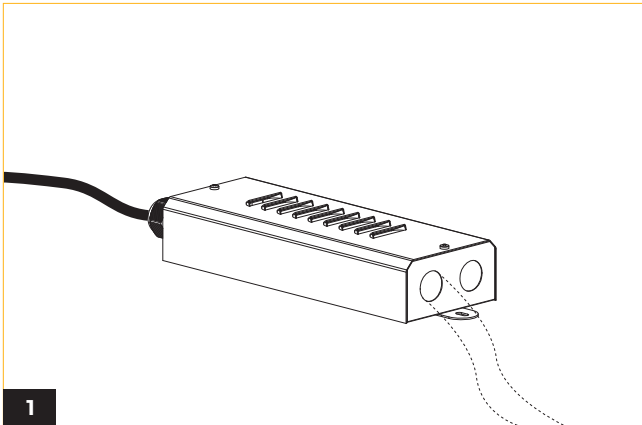


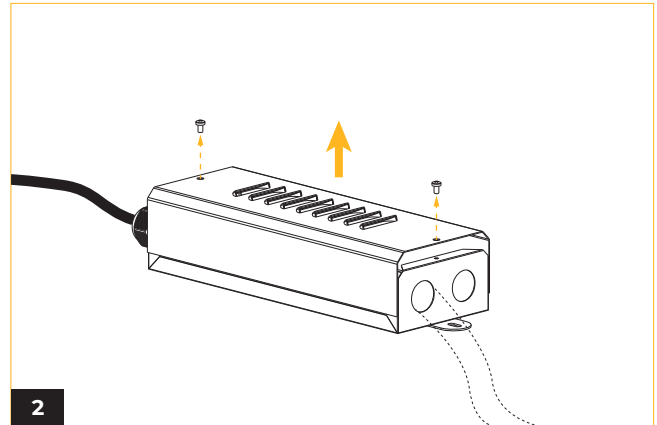
IMPORTANT SAFETY INFORMATION READ AND FOLLOW ALL SAFETY INSTRUCTIONS

- Before wiring to power supply and during servicing or relamping, turn off power at fuse or circuit breaker.
- All servicing or relamping must be performed by qualified service personnel.
- Product must be grounded to avoid potential electric shock or other potential hazard.
- Product must be installed at locations and heights, in a manner consistent with its intended use, and in compliance with Electrical Code and local codes.

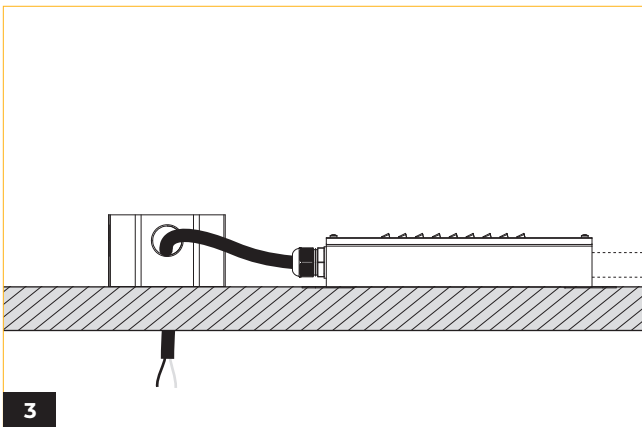
SAVE THESE INSTRUCTIONS FOR FUTURE REFERENCE



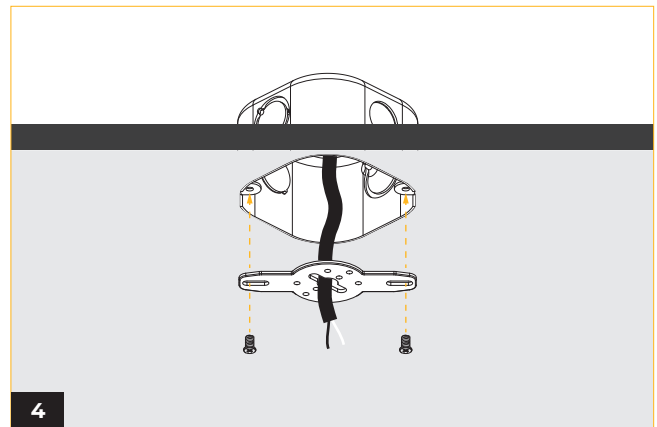
1 Remove knockout for power connection.



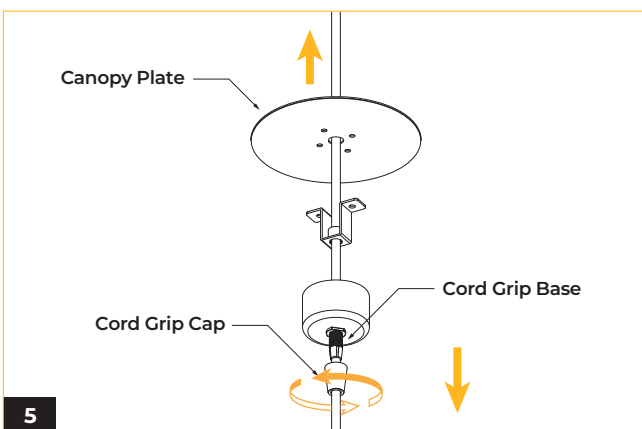
2 Remove powerbox lid to make electrical connections (Refer to wiring diagram).



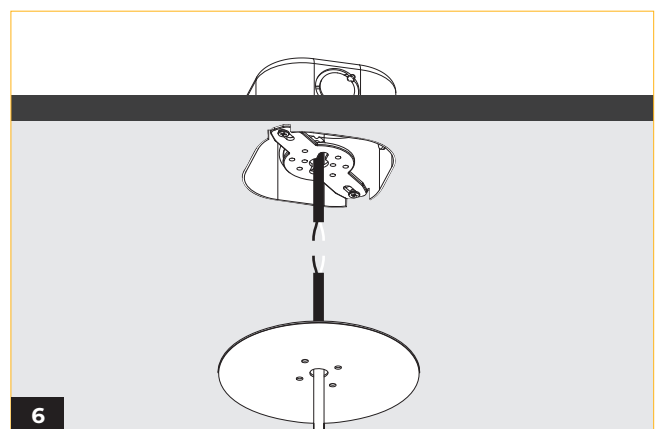
3 Thread the DC cables from powerbox through the junction box.



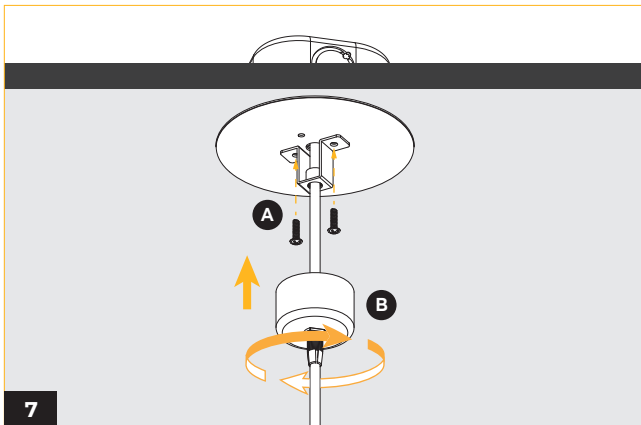
4 Secure the crossbar to junction box (by others), using two phillips screws.



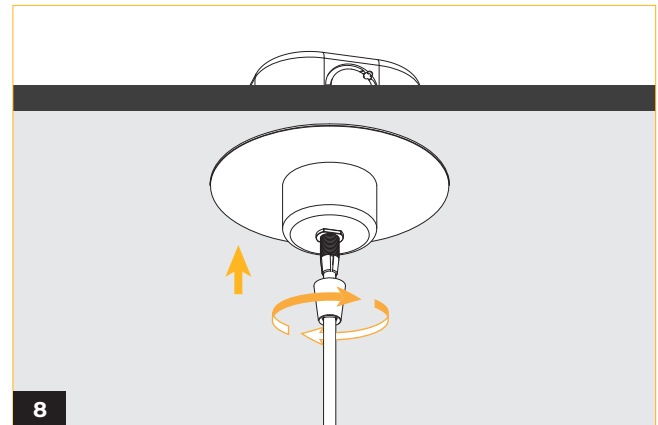
5 Remove the base and cap of the cord grip, adjust mounting length accordingly. Once adjusted to a desired height, slip cord through canopy plate.



6 Make electrical connections between crossbar and mounting plate. Refer to the wiring diagram for more detailed instructions.



(A) Fasten canopy plate in place using 2 phillips screws.
(B) Cover the canopy plate with the canopy cover, and secure it by screwing in the cord grip base.

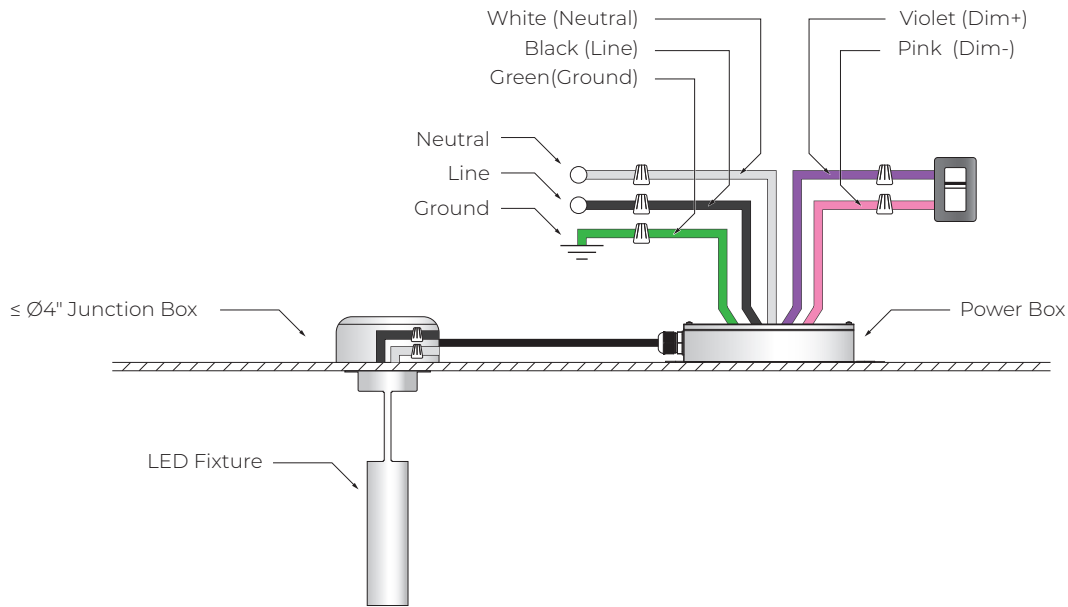


Screw in the cord grip cap to finish the installation.

** Caution when applying force during the installation of the cord grip base to avoid any potential damage or breakage.*

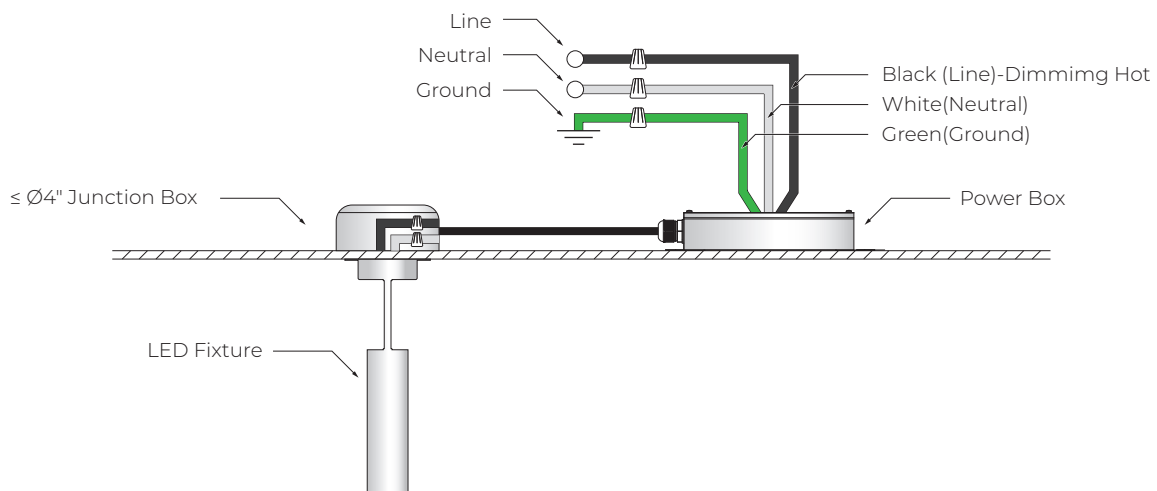
WIRING DIAGRAM

0-10V / Superior 0-10V



*Not to scale

TRIAC



*Not to scale