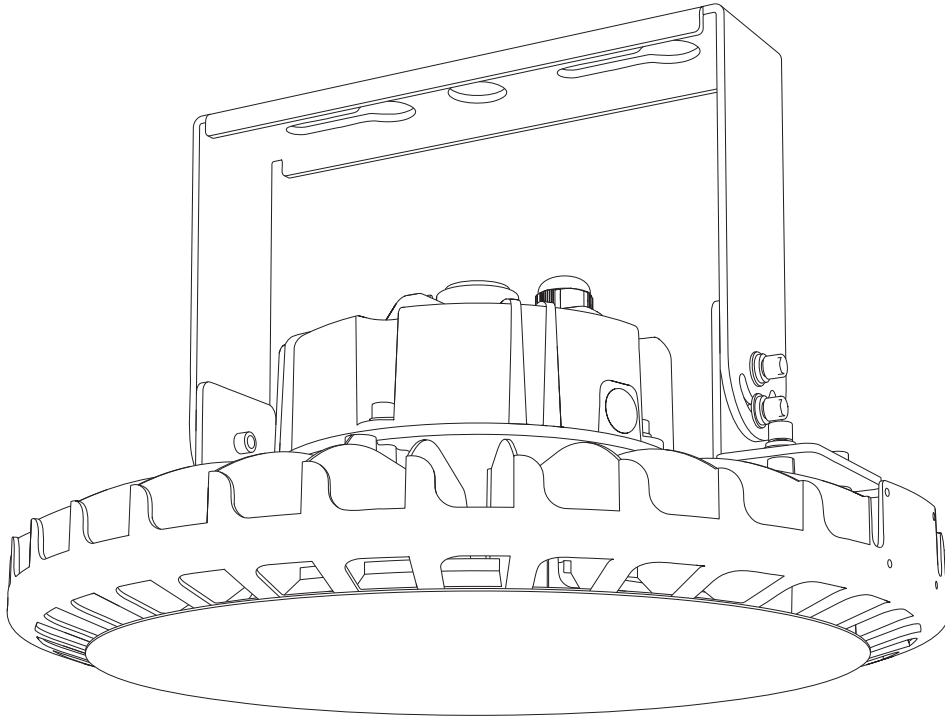


DEXT MINI SERIES

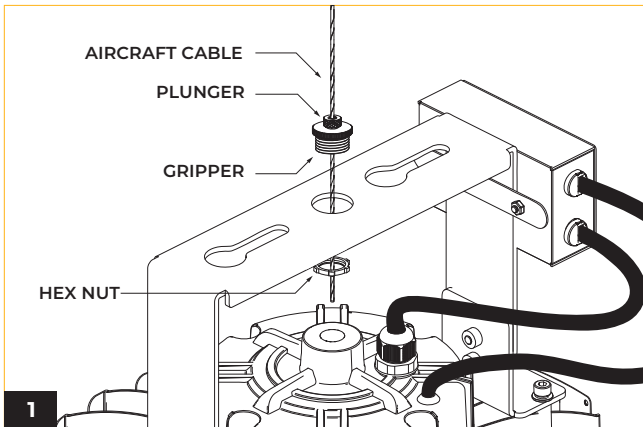
INSTALLATION GUIDE



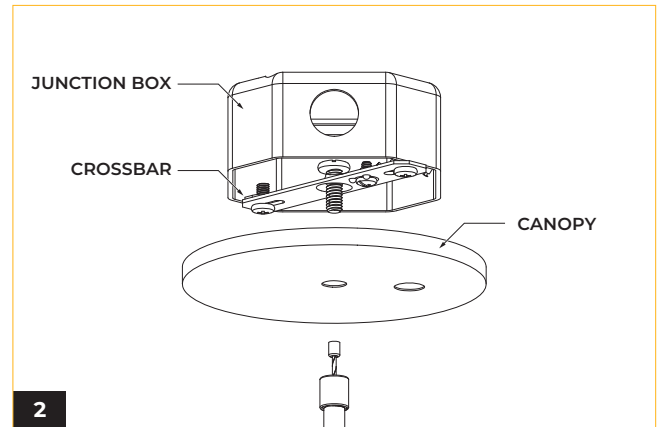
IMPORTANT SAFETY INFORMATION READ AND FOLLOW ALL SAFETY INSTRUCTIONS

- Before wiring to power supply and during servicing or relamping, turn off power at fuse or circuit breaker.
- All servicing or relamping must be performed by qualified service personnel.
- Product must be grounded to avoid potential electric shock or other potential hazard.
- Product must be installed at locations and heights, in a manner consistent with its intended use, and in compliance with Electrical Code and local codes.

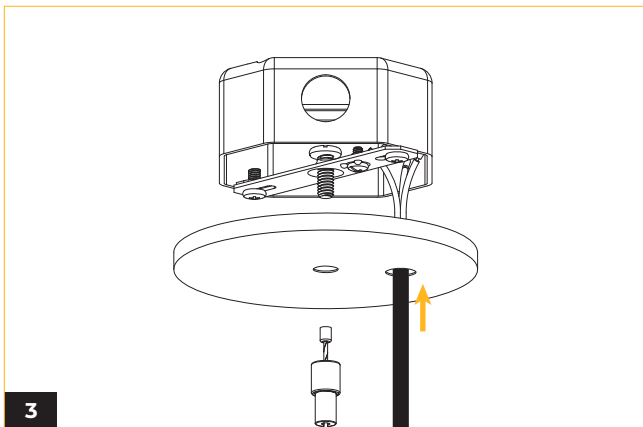
SAVE THESE INSTRUCTIONS FOR FUTURE REFERENCE



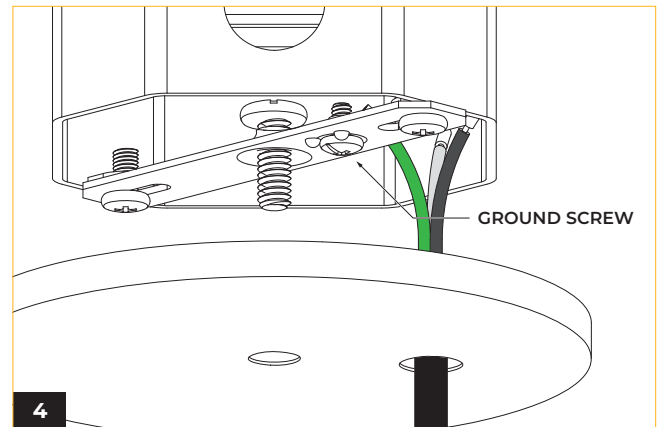
1 Insert the cable through the gripper and plunger. Press the plunger to adjust the cable to desired length.



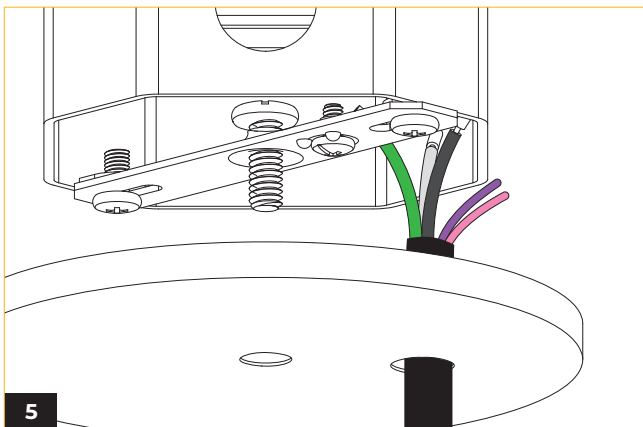
2 Secure the crossbar to the 4" junction box (by others)
* Use UL approved junction boxes.



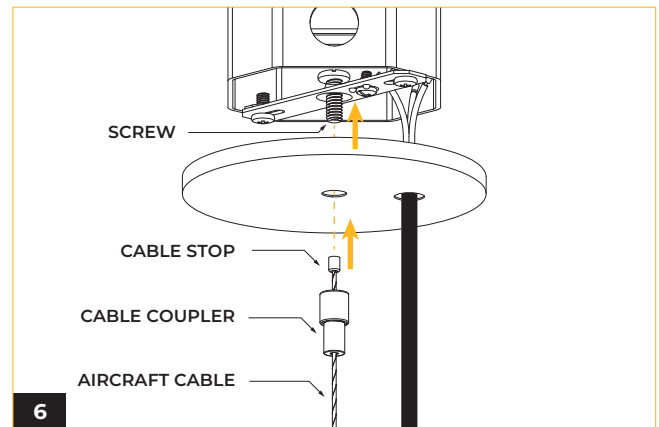
3 Thread the power cord and dimming wires through the canopy wire hole.



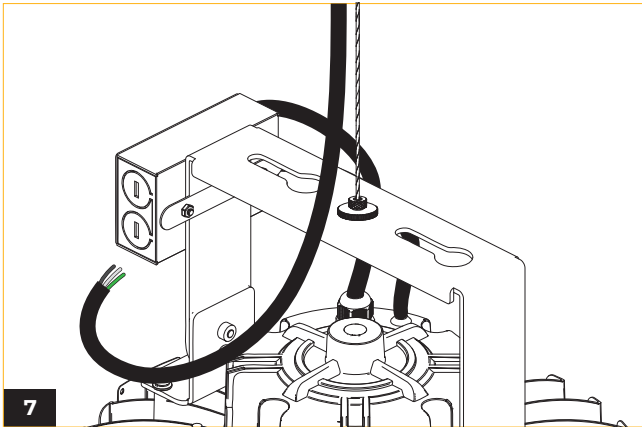
4 Connect the ground conductor to the ground screw on the crossbar, then connect the line and neutral wires according to the wiring diagram.



5 For 0-10V dimming option, connect the two remaining conductors according to the wiring diagram.
* Make all connections with UL approved connectors.



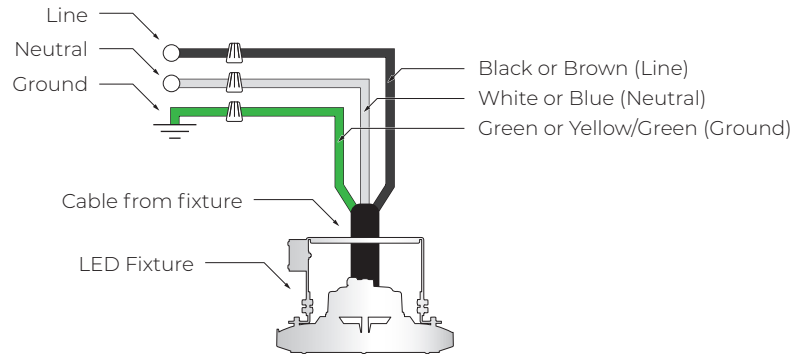
6 Thread the aircraft cable through the coupler with the terminal side on top. Slide the coupler up to the canopy and secure in place to the crossbar.



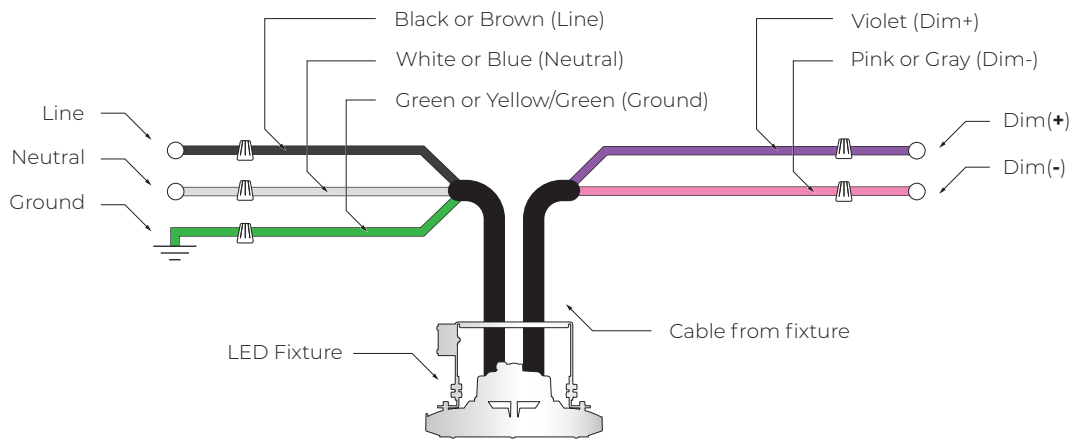
Make electric connection in junction box according to the wiring diagram.

WIRING DIAGRAM

NOD (Non Dimming)



STV 0-10V



SPD (Surge Protector)

