

DEXT 2.0

SPECIFICATION SHEET
STANDARD

COMPETITIVE HIGH-PERFORMING LUMINARE

Housing

Diameter : Ø14.5" | Height : 10.25" | Weight : 17.64 lbs

Material

Housing: High Pressure Die-Cast Aluminum
Lens: Clear Polycarbonate, Acrylic Frosted Diffuser

Power Input

Downlight : 150W, 200W, 280W | 120-277V
Uplight : 20W | 120-277V

Lumen Output

Downlight : 17,400lm (150W), 23,200lm (200W), 34,800lm (280W)
Uplight : 2,320lm (20W)

Dimming

Standard 0-10V: Dims to 10%

Color Quality

CRI 85

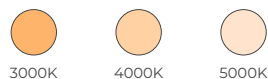
Rated Life

> 60,000 Hours (L70)

Finish



Color Temperature



Optics



Mounting



Warranty

5 Year limited warranty

Listing



High Efficacy Led Luminaire For General Illumination And High Ceilings

High performance durable luminaire for high ceiling applications up to 50 ft.

Delivering exceptional light levels at high operating temperatures with a delivered lumen package range of 16,500 lm to 34,800 lm.



METEOR

meteor-lighting.com

SPECIFICATION SHEET / STANDARD

DEXT 2.0 COMPETITIVE HIGH-PERFORMING LUMINARE



SPECIFICATION

PROJECT NAME

DATE

CATALOG #

QUANTITY

DS2	MODEL	DEXT 2.0 SERIES		
	WATTAGE	150 150W	170 Downlight: 120W Uplight: 20W	200 200W
		220 Downlight: 200W Uplight: 20W	280 280W	
	CCT / CRI	308 3000K / CRI 85	408 4000K / CRI 85	508 5000K / CRI 85
UNV	VOLTAGE	UNV 120 – 277V		
	DIMMING	NOD Non-Dimming	STV Standard 0-10V dims to 10%	
	BEAM ANGLE*	50 50°	WD Wide	
	FINISH	BLK Black	WHT White	
	MOUNTING	BRK Bracket	ST2 Stem 2ft	ST4 Stem 4ft
		AD10 Adjustable Cable 10ft	SAD10 Sloped Adjustable Cable 10ft	
	ACCESSORIES	NO No Accessories	SPD ¹ Surge Protector	WG ² Wire Guard
		FCS Field Cut Stem Adapter Kit		

¹ Surge protector for up to 10KV. Applicable for unstable mains or facilities using high power machineries

² Please factor in change in lumen output with WG -14%

* Beam angle options are only available for downlight, uplight beam angle fixed at WD

TECHNICAL DETAILS

Electrical

- Downlight : 17,400lm (150W), 23,200lm (200W)
34,800lm (280W)
- Uplight : 2,320lm (20W)
- Power Input: Universal (120-277V)
- Operating Temperature: -22°F~113°F
- Surge Protection: Built-in is 4KV

LED Features

- Color Temperature: 3000K, 4000K, 5000K
- CRI 85
- Long lasting LED luminaire tested under TM21 lumen maintenance L70 @ 60,000 Hrs

Optics

- Precision molded high transmittance clear PC lens
- Beam Angle: 50°, WD

Advanced Dimming

- Proprietary VX Driver™ is incorporated to all dimming options for video flicker-free lighting
- Standard 0-10V: Dims to 10%

Housing

- Diameter: Ø14.5"
- Height: 10.25"
- Material: High Pressure Die-Cast Aluminum, PC Lens, Acrylic Frosted Diffuser
- Weight: 17.64 lbs

Mounting

- Bracket
- Stem 2ft or 4ft; 45° (Swivel Canopy Included)
- Adjustable Cable 10ft
- Sloped Adjustable Cable 10ft

Warranty

- 5-year limited warranty

Listing

- ETL Damp Location Listed
- CE
- UKCA
- UGR

PERFORMANCE SUMMARY*

Delivered Lumens (Downlight)			
CCT/WATTAGE	3000K	4000K	5000K
150W	16,500lm	16,950lm	17,400lm
200W	22,000lm	22,600lm	23,200lm
280W	33,000lm	33,900lm	34,800lm

*Beam Angle: 50° *Tolerance ±8%

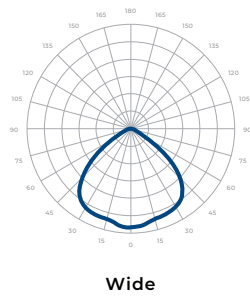
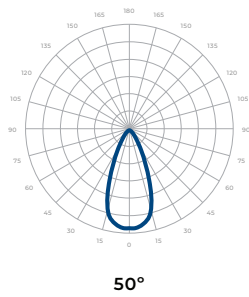
Delivered Lumens (Uplight)			
CCT/WATTAGE	3000K	4000K	5000K
20W	2,200lm	2,260lm	2,320lm

*Beam Angle: 100° *Tolerance ±8%

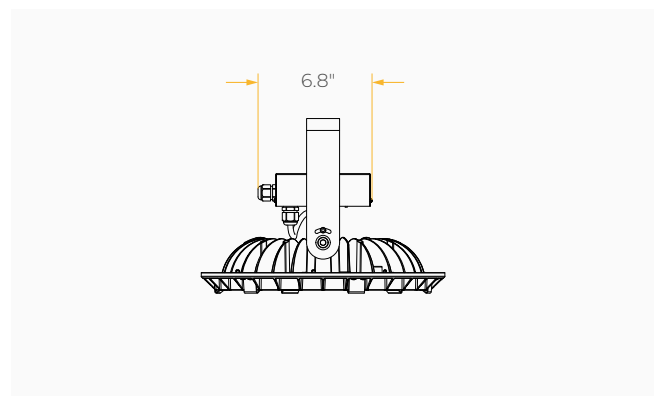
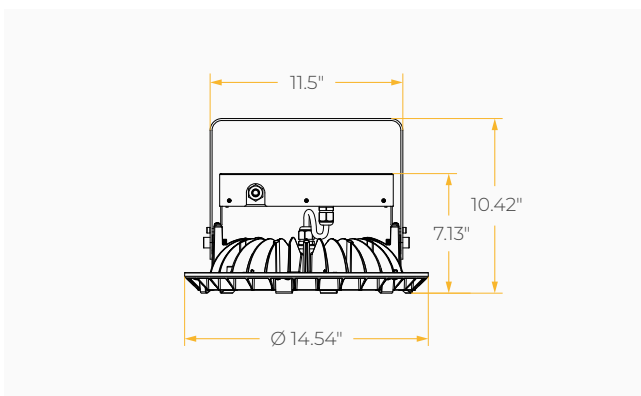
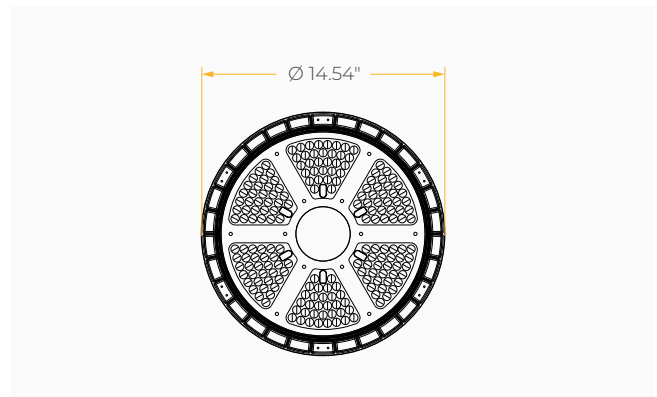
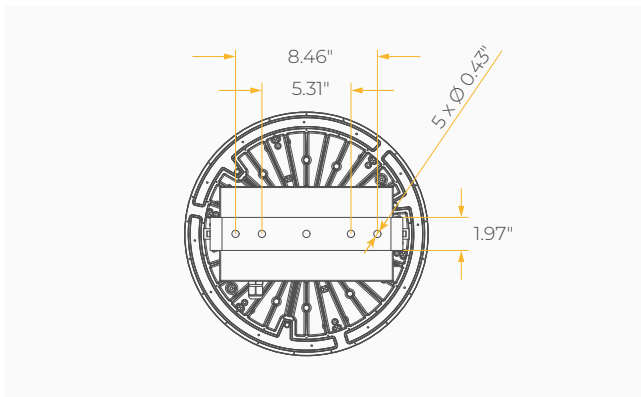
Current Consumption		
WATTAGE / VOLT	120V	277V
150W	1.52A	0.66A
170W + 20W DOWN UP	1.73A	0.75A
200W	2.03A	0.88A
200W + 20W DOWN UP	2.23A	0.97A
280W	3.05A	1.32A

PHOTOMETRICS

Below is a typical photometric representation of the Dext 2.0 fixture. Please download IES files to ensure exact photometric value.

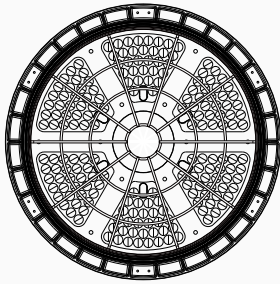


DIMENSIONS



ACCESSORIES

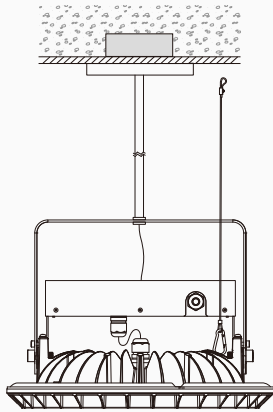
Wire Guard



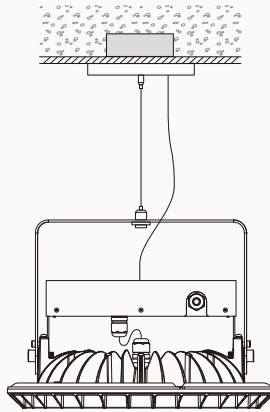
MOUNTING OPTIONS*

**Junction Box not included*

Stem Mount



Adjustable Cable Mount



Bracket

