

# BOLT MINI

SPECIFICATION SHEET  
OUTDOOR

HIGH PERFORMING AND COMPACT LUMINAIRE  
FOR GREATER HEIGHTS

## Housing

Diameter : 4.14" x 11" x 9.06" | Weight : 9.7 lbs

## Material

Housing: High Pressure Die-Cast Aluminum

Lens: Tempered Glass

## Power Input

60W, 100W, 150W, 200W | 120-277V

## Lumen Output

7,780 lm (60W), 11,850 lm (100W), 21,330 lm (150W), 26,295 lm (200W)

## Dimming

Standard 1-10V: Dims to 10%

DALI: Dims to 1%

## Color Quality

CRI 75, CRI 85

## Rated Life

> 100,000 Hours (L70)

## Finish



Black



White

## Color Temperature



3000K



3500K



4000K



5000K

## Optics



30°



60°



Wide

## Mounting



Bracket

## Warranty

5 Year limited warranty

## Listing



## High Efficacy Led Luminaire For General Illumination And High Ceilings

The all new Bolt Mini. A transformation for greater heights with new technologies, performance and optics. This mini version is compact, yet boasts a lumen package range of 6,930 lm - 26,295 lm, and is available in Outdoor and Natatorium rated options. The Bolt Mini – Outdoor version is perfect for a variety of project applications such as illuminating outdoor facades, natatoriums and for flood lighting.



METEOR

[meteor-lighting.com](http://meteor-lighting.com)

SPECIFICATION SHEET / OUTDOOR

**BOLT MINI**

HIGH PERFORMING AND COMPACT LUMINAIRE FOR GREATER HEIGHTS



**SPECIFICATION**

PROJECT NAME

DATE

CATALOG #

QUANTITY

<b>BLTM</b>	MODEL	<b>BOLT MINI SERIES</b>		
	WATTAGE	<b>60</b> 60W <b>200</b> 200W	<b>100</b> 100W	<b>150</b> 150W
	CCT / CRI	<b>308</b> 3000K / CRI85 <b>507</b> 5000K / CRI75	<b>358</b> 3500K / CRI85	<b>408</b> 4000K / CRI85
<b>UNV</b>	VOLTAGE	<b>UNV</b> 120 – 277V		
	DIMMING	<b>STV</b> Standard 1-10V dims to 10%	<b>DALI</b> DALI dims to 1%	
	BEAM ANGLE	<b>30</b> 30°	<b>60</b> 60°	<b>WD<sup>1</sup></b> Wide
	FINISH	<b>BLK</b> Black	<b>WHT</b> White	
<b>BRK</b>	MOUNTING	<b>BRK</b> Bracket		
	ACCESSORIES	<b>NO</b> No Accessories <b>GSV<sup>4</sup></b> Glare Shield Visor	<b>WG<sup>2</sup></b> Wire Guard <b>DF<sup>5</sup></b> Diffuser	<b>GSB<sup>3</sup></b> Glare Shield Baffle <b>SLP</b> Slipfitter (Black only)
	RATING	<b>OUT<sup>6</sup></b> Outdoor Rating	<b>NAT<sup>7</sup></b> Natatorium Rating	

<sup>1</sup> Please factor in change in lumen output with WD -20%

<sup>2</sup> Please factor in change in lumen output with WG -14%

<sup>3</sup> Please factor in change in lumen output with GSB -40%

<sup>4</sup> Please factor in change in lumen output with GSV -25%

<sup>5</sup> Please factor in change in lumen output with DF (-20% with WD; -12% with other degrees)

<sup>6</sup> Outdoor Rating: Coating and wiring will be changed to high UV resistant and corrosion resistant materials for long-term operation in outdoor environments

<sup>7</sup> Natatorium Rating: Coating and sealant will be changed to high corrosion resistant materials to prevent damage from long-term exposure to chlorine vapors, natatorium specifications are only compatible with WD optics

## TECHNICAL DETAILS

---

### Electrical

- 7,780 lm (60W)
- 11,850 lm (100W)
- 21,330 lm (150W)
- 26,295 lm (200W)
- Power Input: Universal (120-277V)
- Operating Temperature: -40°F~104°F
- Surge Protection: Built-in is 4KV

### LED Features

- Color Temperature: 3000K, 3500K, 4000K, 5000K
- CRI 75, CRI 85
- Long lasting LED luminaire tested under TM21 lumen maintenance L70 @ 100,000 Hrs

### Optics

- Precision molded high transmittance clear PC lens
- Beam Angle: 30°, 60°, Wide

### Advanced Dimming

- Proprietary VX Driver™ is incorporated to all dimming options for video flicker-free lighting
- Standard 1-10V: Dims to 10%
- DALI: Dims to 1%

### EPA

- 60W/100W: 0.692 ft<sup>2</sup>
- 150W/200W: 0.719 ft<sup>2</sup>
- 60W/100W (Glare Shield Visor): 0.96 ft<sup>2</sup>
- 150W/200W (Glare Shield Visor): 0.999 ft<sup>2</sup>

### Housing

- Diameter:  
60W / 100W: 4.14" x 11" x 9.06"  
150W / 200W: 8.26" x 11.41" x 9.05"
- Material: High Pressure Die-Cast Aluminum, Tempered Glass
- Weight:  
60W / 100W: 9.7 lbs  
150W / 200W: 14.6 lbs

### Mounting

- Bracket

### Warranty

- 5-year limited warranty

### Listing

- ETL Damp Location Listed
- FCC
- CE
- IP 65

**PERFORMANCE SUMMARY\***

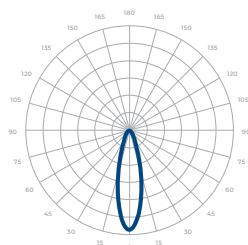
Delivered Lumens				
CCT/WATTAGE	3000K	3500K	4000K	5000K
<b>60W</b>	6,930lm	7,200lm	7,170lm	7,780lm
<b>100W</b>	10,535lm	10,800lm	10,990lm	11,850lm
<b>150W</b>	18,355lm	19,000lm	19,125lm	21,330lm
<b>200W</b>	22,950lm	23,800lm	23,990lm	26,295lm

\*Beam Angle: 60° \*Tolerance ±8%

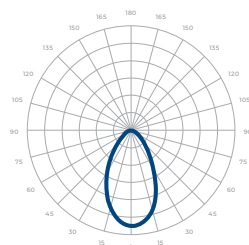
Current Consumption		
WATTAGE / VOLT	120V	277V
<b>60W</b>	0.55A	0.22A
<b>100W</b>	0.92A	0.4A
<b>150W</b>	1.38A	0.6A
<b>200W</b>	1.83A	0.8A

**PHOTOMETRICS**

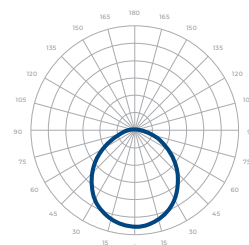
Below is a typical photometric representation of the Bolt Mini fixture. Please download IES files to ensure exact photometric value.



**30°**



**60°**

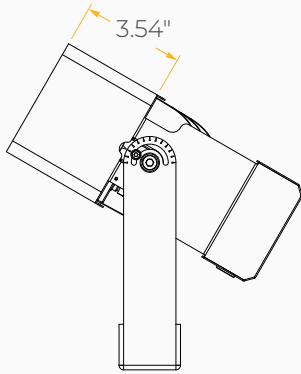


**WIDE**

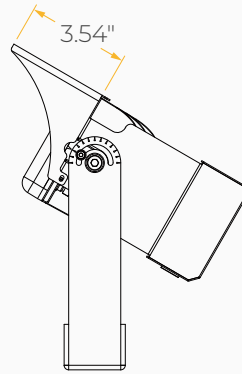
**ACCESSORIES**

60W / 100W

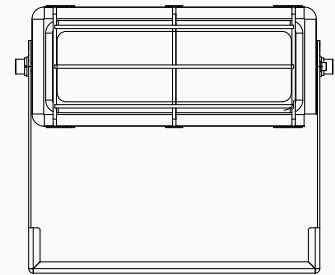
Glare Shield Baffle



Glare Shield Visor

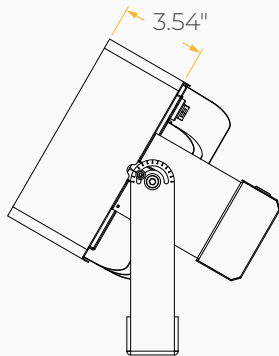


Wire Guard

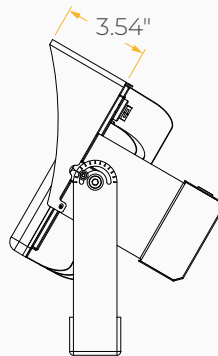


150W / 200W

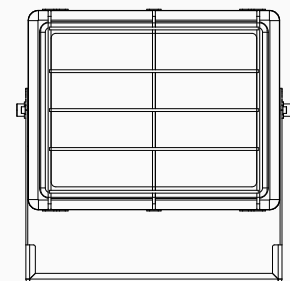
Glare Shield Baffle



Glare Shield Visor



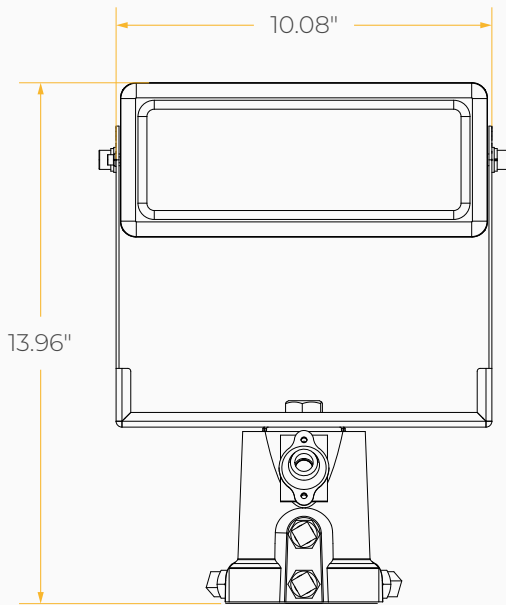
Wire Guard



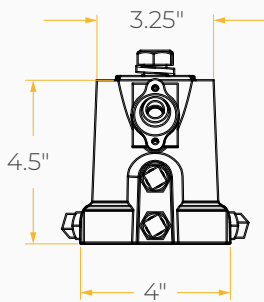
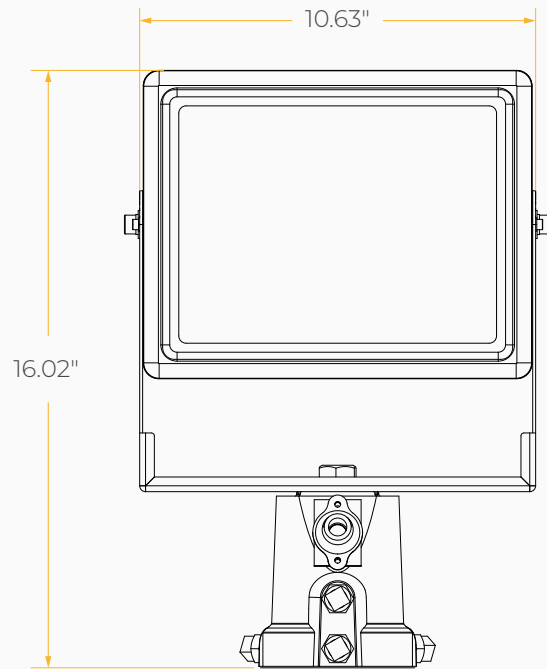
**ACCESSORIES**

**Slipfitter**

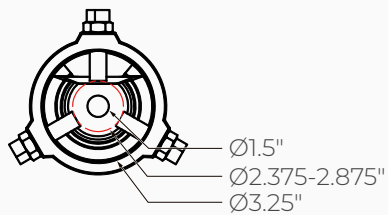
60W / 100W



150W / 200W

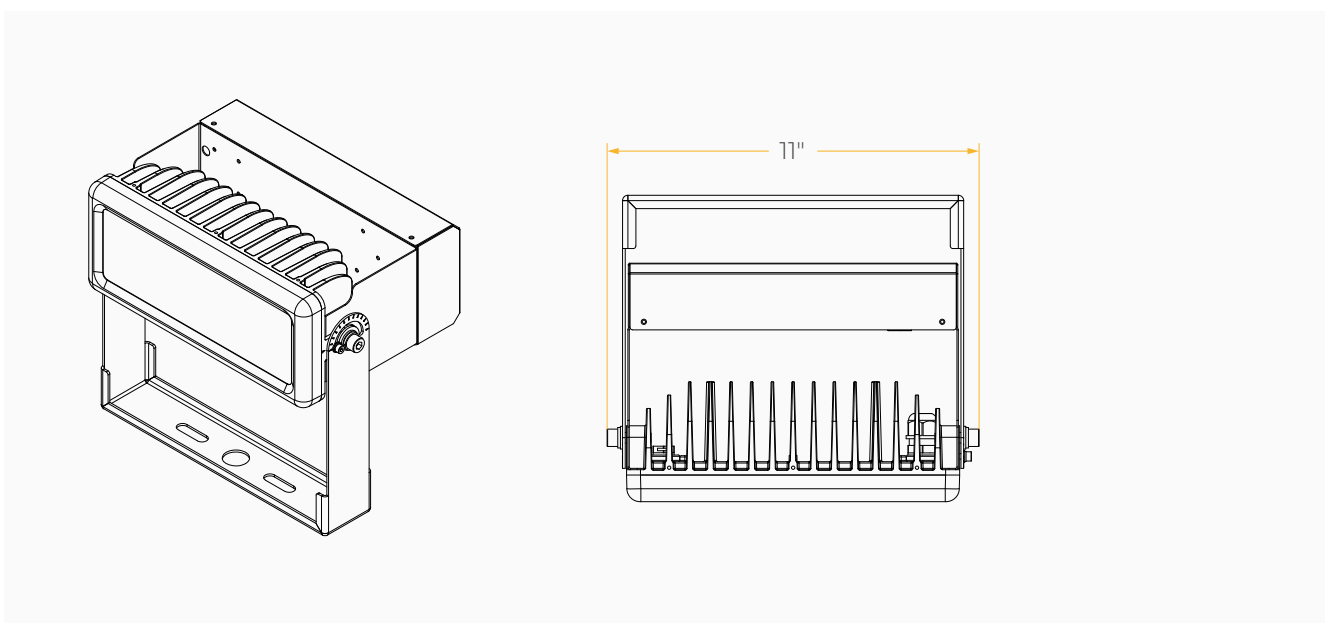
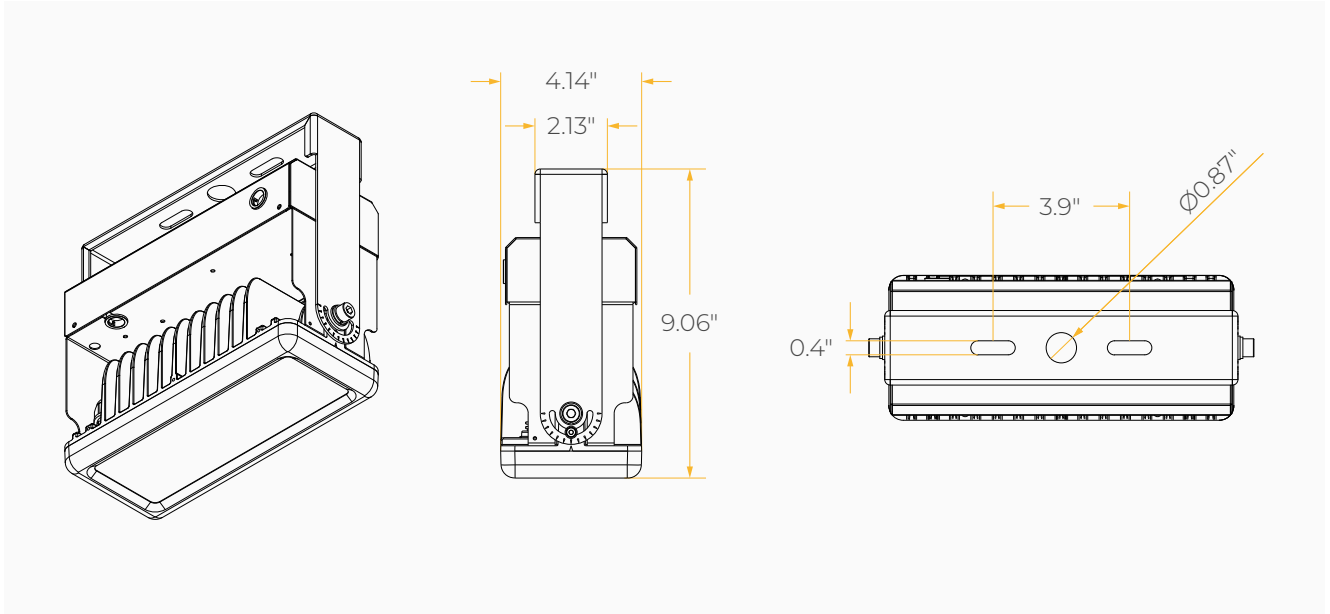


Tenon slipfitter fits 2.375" to 2.875" OD tenon.



**DIMENSIONS**

60W / 100W



**DIMENSIONS**

150W / 200W

