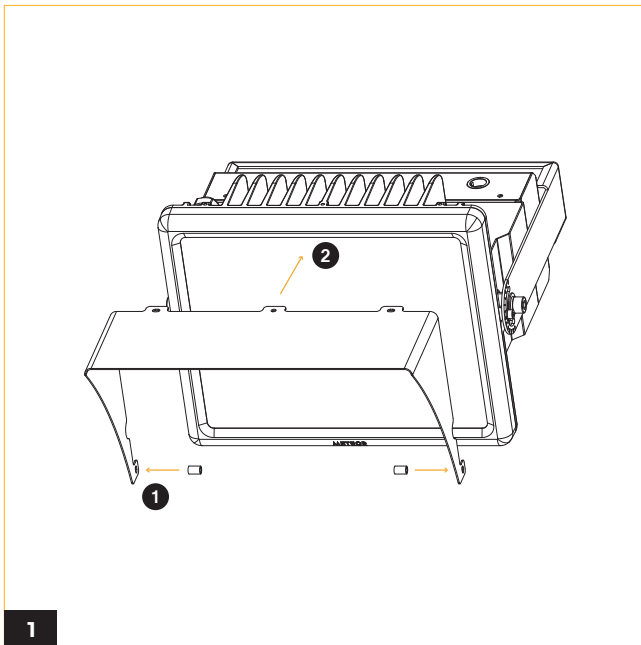


IMPORTANT SAFETY INFORMATION

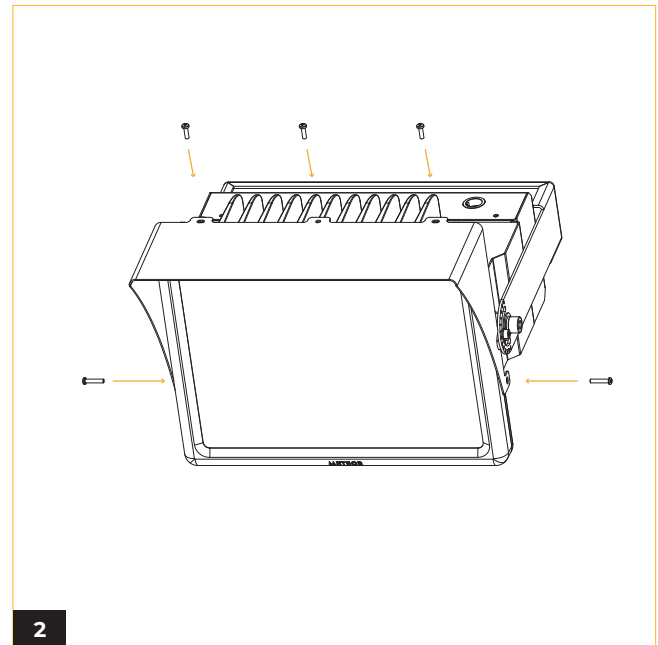
READ AND FOLLOW ALL SAFETY INSTRUCTIONS

- Before wiring to power supply and during servicing or relamping, turn off power at fuse or circuit breaker.
- All servicing or relamping must be performed by qualified service personnel.
- Product must be grounded to avoid potential electric shock or other potential hazard.
- Product must be installed at locations and heights, in a manner consistent with its intended use, and in compliance with Electrical Code and local codes.

SAVE THESE INSTRUCTIONS FOR FUTURE REFERENCE



Put the shield on the fixture.
1. Place the tubes in these locations for support.
2. Align the shield to the top of the fixture so the screw holes line up.



Tighten the screws in areas where arrows are pointed.



Finish