

BOLT

HIGH PERFORMING FLOODLIGHT LUMINAIRE

SPECIFICATION SHEET
TUNABLE WHITE

Housing

Diameter : 7.87" x 17.68" x 11.68" | Weight : 24.25 lbs

Material

Housing: High Pressure Die-Cast Aluminum, Tempered Glass
Lens: PC Lens

Power Input

260W | 120-277V

Lumen Output

25,800 lm-31,410 lm

Dimming

Superior 0-10V: Dims to 1%
DMX: high resolution dims to 0.1% (Supports ANSI E1.20 RDM protocol)

Color Quality

CRI 85

Rated Life

> 100,000 Hours (L70)

Finish



Black



White

Color Temperature



ColorFlip™ Tunable White
3000K ↔ 5000K

Optics



30°



60°



Wide

Mounting



Bracket

Warranty

5 Year limited warranty

Listing



Unrivaled Performance and Versatility

The Bolt series are award-winning floodlights available in a single or dual module configuration that feature cutting-edge LED technology, a lumen package range of 25,800 lm to 31,410 lm.

Hidden under the hood of this sleek and rugged form, is a new light engine that offers static white, tunable white, and Archi-Color™ W+RGB dynamic color changing possibilities.



SPECIFICATION SHEET / TUNABLE WHITE

BOLT HIGH PERFORMING
FLOODLIGHT LUMINAIRE



SPECIFICATION

PROJECT NAME

DATE

CATALOG #

QUANTITY

BLT	MODEL	BOLT SERIES		
260	WATTAGE	260	260W	
TNW	CCT / CRI	TNW	3000K – 5000K	
UNV	VOLTAGE	UNV	120 – 277V	
	DIMMING	SPV Superior 0-10V dims to 1%	DMX DMX dims to 0.1% (XLR Sockets)	DMXR DMX dims to 0.1% (RJ45 Sockets)
	BEAM ANGLE	30 30°	60 60°	WD¹ Wide
	FINISH	BLK Black	WHT White	
BRK	MOUNTING	BRK Bracket		
	ACCESSORIES	NO No Accessories GSV⁴ Glare Shield Visor	WG² Wire Guard DF⁵ Diffuser	GSB³ Glare Shield Baffle

¹ Please factor in change in lumen output with WD -20%
² Please factor in change in lumen output with WG -14%
³ Please factor in change in lumen output with GSB -40%
⁴ Please factor in change in lumen output with GSV -25%
⁵ Please factor in change in lumen output with DF (-20% with WD; -12% with other degrees)

TECHNICAL DETAILS

Electrical

- 25,800 lm-31,410 lm
- Power Input: Universal (120-277V)
- Operating Temperature: -40°F~104°F
- Surge Protection: Built-in is 4KV

LED Features

- ColorFlip™ Tunable White 3000K ↔ 5000K
- CRI 85
- Long lasting LED luminaire tested under TM21 lumen maintenance L70 @ 100,000 Hrs

Optics

- Precision molded high transmittance clear PC lens
- Beam Angle: 30°, 60°, WD

Advanced Dimming

- Proprietary VX Driver™ is incorporated to all dimming options for video flicker-free lighting
- Superior 0-10V: dims to 1%
- DMX: High resolution dims to 0.1% (Supports ANSI E1.20 RDM protocol)

Housing

- Diameter: 7.87" x 17.68" x 11.68"
- Material: High Pressure Die-Cast Aluminum, Tempered Glass
- Weight: 24.25 lbs

Mounting

- Bracket

Warranty

- 5-year limited warranty

Listing

- ETL Damp Location Listed
- CE
- UKCA
- FCC

PERFORMANCE SUMMARY*

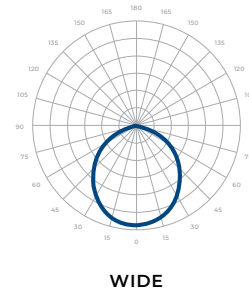
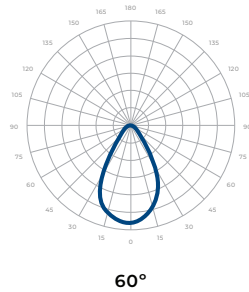
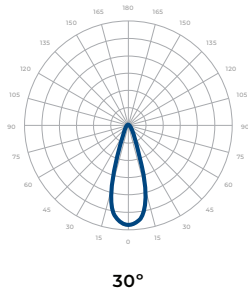
ColorFlip™	3000K	3500K	4000K	4500K	5000K
DMX CCT Signal (%)	0%	25%	45%	60%	100%
0-10V CCT Voltage	0	2.5	4.5	6	10
260W	25,800lm	28,365lm	31,410lm	30,905lm	30,400lm
CRI	85	83	82	80	75

*Beam Angle: 60° *Tolerance ±8%

Current Consumption		
WATTAGE / VOLT	120V	277V
220W	2.39A	1.18A

PHOTOMETRICS

Below is a typical photometric representation of the Bolt fixture. Please download IES files to ensure exact photometric value.



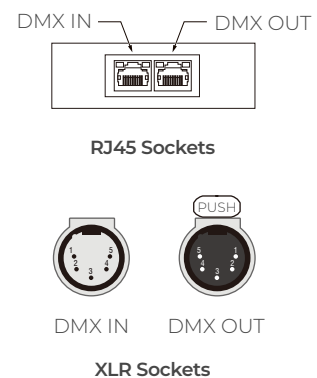
DMX REQUIREMENTS

The Bolt Tunable White fixture with DMX unit has **two channels** per fixture (1 to control intensity, 1 to control color). When placing an order, please indicate DMX address. (The DMX address will be listed on the back of the fixture). Do not connect more than 32 fixtures per DMX daisy chain.

DMX Address		
Fixture	Intensity Control (ex. X)	Color Control (ex. X+1)
#1	1	2
#2	3	4
#3	5	6

The fixture can be connected with RJ45 or XLR sockets. DMX cables **are not** included; please refer to compatible DMX cabling list for more information. The final fixture on each daisy chain should be terminated by the use of a DMX terminator purchased from a 3rd party or from Meteor.

CONNECTION	RJ45 (CAT5e)	5-PIN XLR
Common	WHITE/BROWN(PIN7) & BROWN (PIN 8)	PIN 1
Signal -	ORANGE (PIN 2)	PIN 2
Signal +	WHITE/ORANGE (PIN 1)	PIN 3
Spare	-	PIN 4
Spare	-	PIN 5

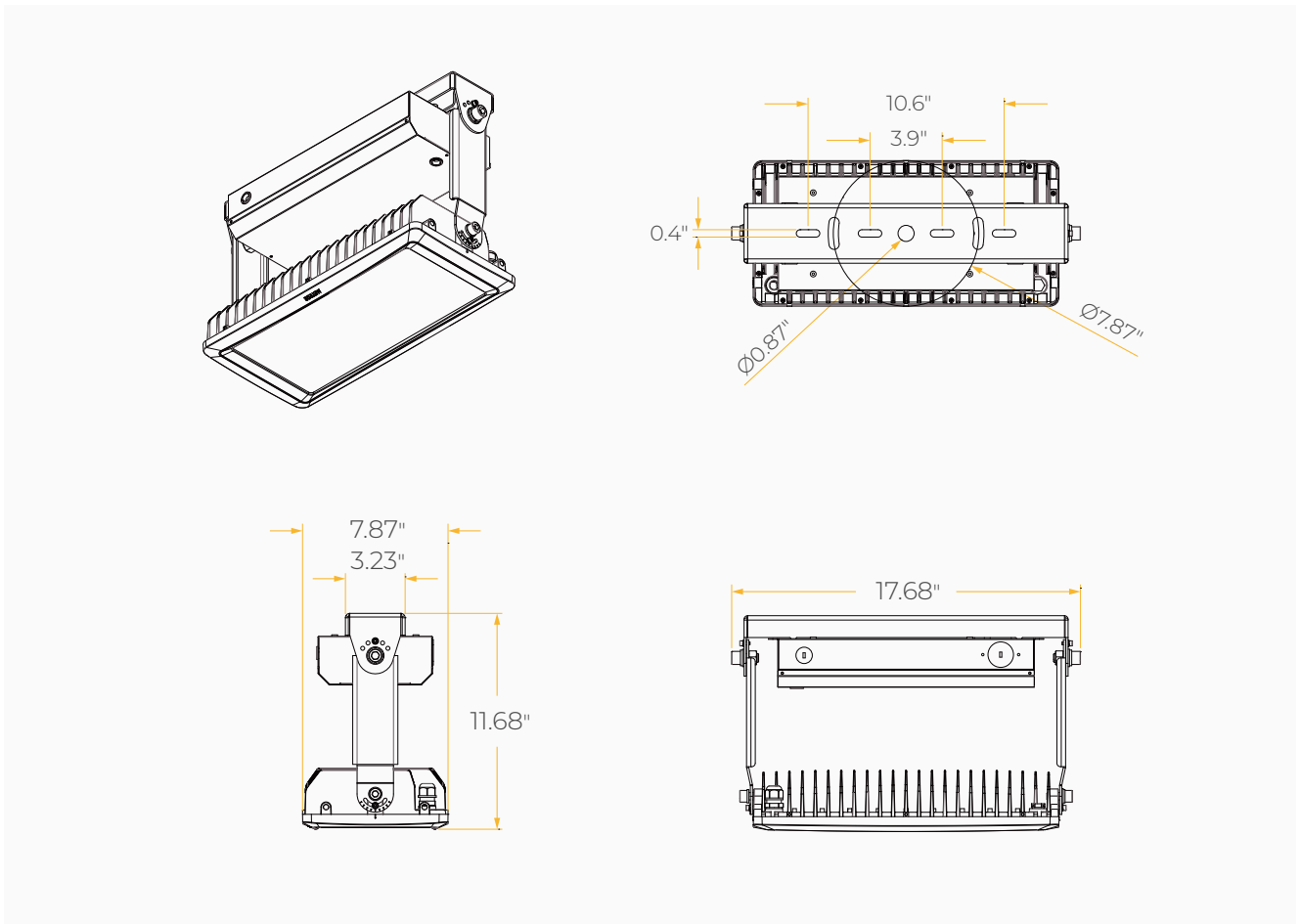


COMPATIBLE DMX CABLING LIST

DMX uses a cable consisting of two twisted pairs plus a shield to carry data. The cable must be specifically impedance matched for the digital DMX signal, meaning that microphone cable or other non-rated cable **must not be used to carry DMX**. Network cable (Cat5, 5e or 6 cable) may be used to carry DMX in an installation; however special consideration must be given to shielding and termination. Under no circumstances should solid core cable like Cat5 be terminated into a screw down connector.

Meteor recommends the use of Belden 9729 or Belden 9841 for DMX installation. Belden 9729/9841 is a two pair cable, which allows for a spare pair for 'out and back' type terminations if needed.

DIMENSIONS



ACCESSORIES

