

BOLT

HIGH PERFORMING FLOODLIGHT LUMINAIRE

SPECIFICATION SHEET
STANDARD

Housing

Diameter : 7.87" x 17.68" x 11.68" | Weight : 24.25 lbs

Material

Housing: High Pressure Die-Cast Aluminum, Tempered Glass
Lens: PC Lens

Power Input

220W, 280W, 440W, 560W | 120-277V, 347-480V

Lumen Output

29,700 lm (220W), 36,400 lm (280W), 53,000 lm (440W),
68,340 lm (560W)

Dimming

Standard 1-10V: Dims to 10%
DALI: Dims to 1%

Color Quality

CRI 75, CRI 85

Rated Life

> 100,000 Hours (L70)

Finish



Black



White

Color Temperature



3000K



4000K



5000K

Optics



30°



60°



Wide

Mounting



Stem
Mount



Bracket

Warranty

5 Year limited warranty

Listing



Unrivaled Performance and Versatility

The Bolt series are award-winning floodlights available in a single or dual module configuration that feature cutting-edge LED technology, a lumen package range of 29,700 lm to 68,340 lm.

Hidden under the hood of this sleek and rugged form, is a new light engine that offers static white, tunable white, and Archi-Color™ W+RGB dynamic color changing possibilities.



METEOR

meteor-lighting.com

SPECIFICATION SHEET / STANDARD

BOLT HIGH PERFORMING FLOODLIGHT LUMINAIRE



SPECIFICATION

PROJECT NAME

DATE

CATALOG #

QUANTITY

BLT	MODEL	BOLT SERIES		
<input type="text"/>	WATTAGE	220 220W 560 560W	280 280W	440 440W
<input type="text"/>	CCT / CRI	308 3000K / CRI85	408 4000K / CRI85	507 5000K / CRI75
<input type="text"/>	VOLTAGE	UNV 120 – 277V	HVT 347 – 480V	
<input type="text"/>	DIMMING	STV Standard 1-10V dims to 10%	DALI DALI dims to 1%	
<input type="text"/>	BEAM ANGLE	30 30°	60 60°	WD¹ Wide
<input type="text"/>	FINISH	BLK Black	WHT White	
<input type="text"/>	MOUNTING	BRK Bracket DS2² Downlight Stem 2 ft UDS4² Up/Down Stem 4 ft	US2² Uplight Stem 2 ft DS4² Downlight Stem 4 ft	US4² Uplight Stem 4 ft UDS2² Up/Down Stem 2 ft
<input type="text"/>	ACCESSORIES	NO No Accessories GSV⁵ Glare Shield Visor EMP Remote Emergency Pack	WG³ Wire Guard DF⁶ Diffuser	GSB⁴ Glare Shield Baffle SLP⁷ Slipfitter (Black only)

¹ Please factor in change in lumen output of -20%

² Only compatible with 440W and 560W

³ Please factor in change in lumen output of -14%

⁴ Please factor in change in lumen output of -40%

⁵ Please factor in change in lumen output of -25%

⁶ Please factor in change in lumen output with Diffuser (-20% with WD; -12% with other degrees)

⁷ Slipfitter is only compatible with BRK

TECHNICAL DETAILS

Electrical

- 29,700 lm (220W)
- 36,400 lm (280W)
- 53,000 lm (440W)
- 68,340 lm (560W)
- Power Input: Universal (120-277V); HVT (347-480V)
- Operating Temperature: -40°F~104°F
- Surge Protection: Built-in is 4KV

LED Features

- Color Temperature: 3000K, 4000K, 5000K
- CRI 75, CRI 85
- Long lasting LED luminaire tested under TM21 lumen maintenance L70 @ 100,000 Hrs

Optics

- Precision molded high transmittance clear PC lens
- Beam Angle: 30°, 60°, WD

Advanced Dimming

- Proprietary VX Driver™ is incorporated to all dimming options for video flicker-free lighting
- Standard 1-10V: Dims to 10%
- DALI: Dims to 1%

EPA

- 220W/280W: 1.434 ft²
- 440W/560W: 2.258 ft²
- 220W/280W (Glare Shield Visor): 2.085 ft²
- 440W/560W (Glare Shield Visor): 2.929 ft²

Housing

- Diameter:
220W/280W: 7.87" x 17.68" x 11.68"
440W/560W: 11.68" x 19.35" x 16.5"
- Material: High Pressure Die-Cast Aluminum, Tempered Glass
- Weight:
220W/280W: 24.25 lbs
440W/560W: 48.5 lbs

Mounting

- Bracket
- Uplight Stem 2 ft / 4 ft
- Downlight Stem 2 ft / 4 ft
- Up/Down Stem 2 ft / 4 ft

Warranty

- 5-year limited warranty

Listing

- ETL Damp Location Listed
- CE
- UKCA
- FCC

PERFORMANCE SUMMARY*

Delivered Lumens			
CCT/WATTAGE	3000K	4000K	5000K
220W	25,245lm	26,730lm	29,700lm
280W	30,940lm	32,760lm	36,400lm
440W	45,050lm	47,700lm	53,000lm
560W	58,090lm	61,500lm	68,340lm

Current Consumption		
WATTAGE / VOLT	120V	277V
220W	2.02A	0.87A
280W	2.57A	1.11A
440W	4.03A	1.75A
560W	5.13A	2.22A

*Beam Angle: 60° *Tolerance ±8%

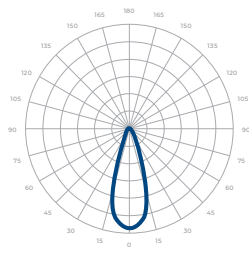
SPECIFICATION SHEET / STANDARD

BOLT HIGH PERFORMING
FLOODLIGHT LUMINAIRE

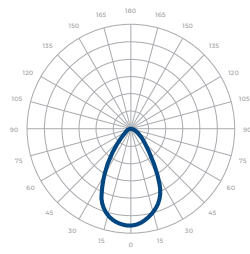
METEOR

PHOTOMETRICS

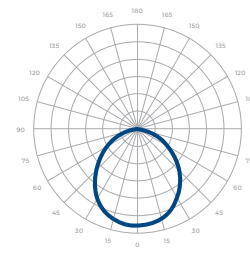
Below is a typical photometric representation of the Bolt fixture. Please download IES files to ensure exact photometric value.



30°



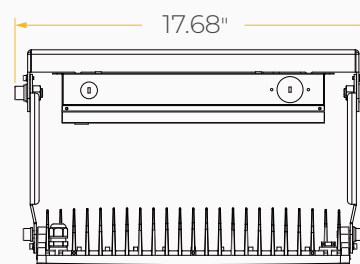
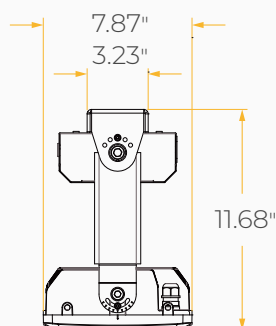
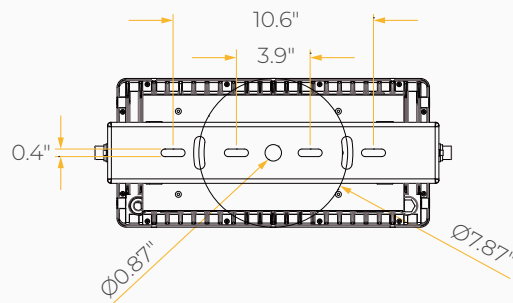
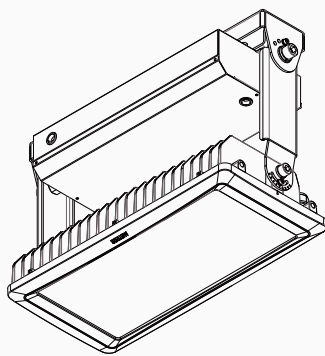
60°



WIDE

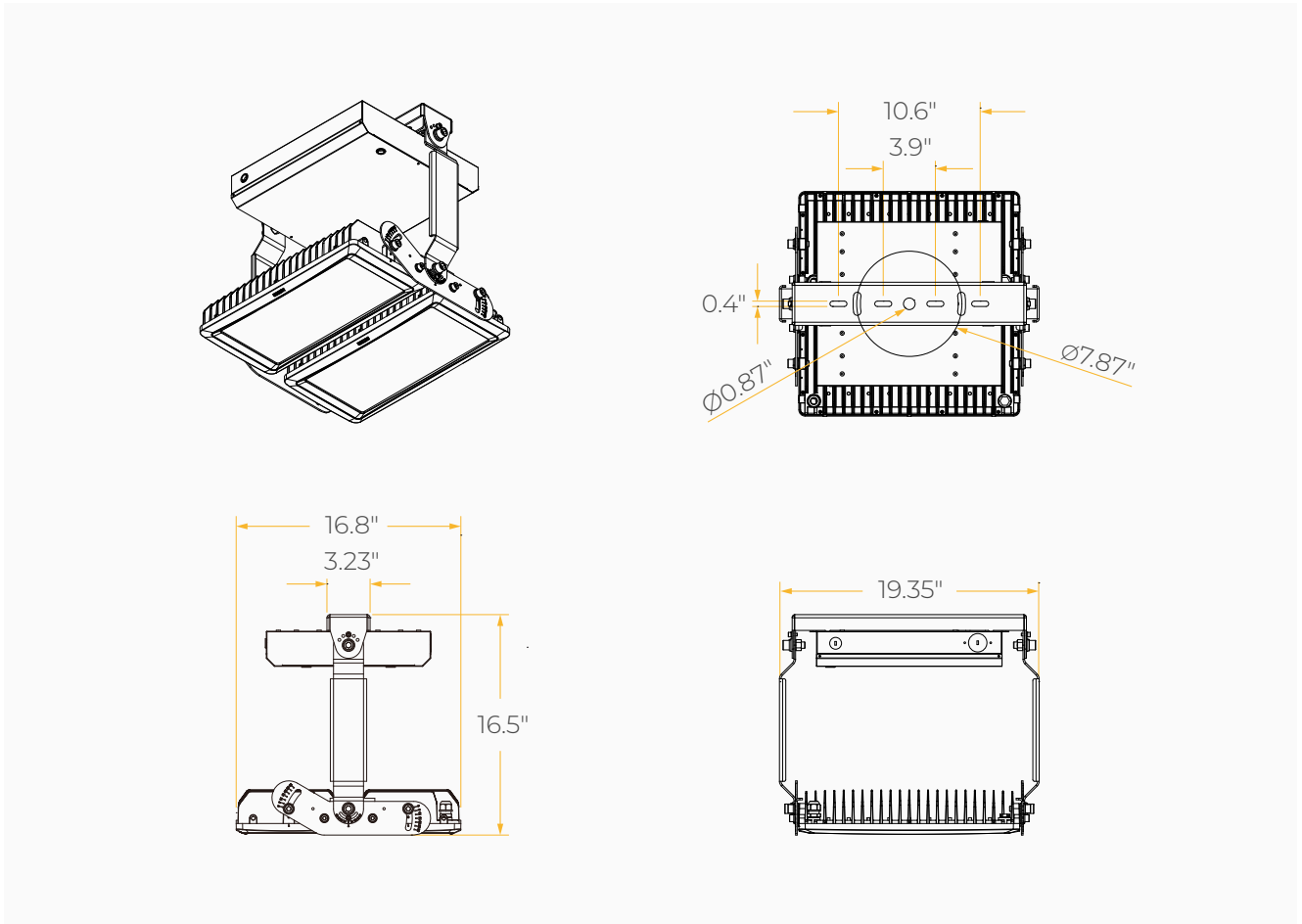
DIMENSIONS

220W / 280W



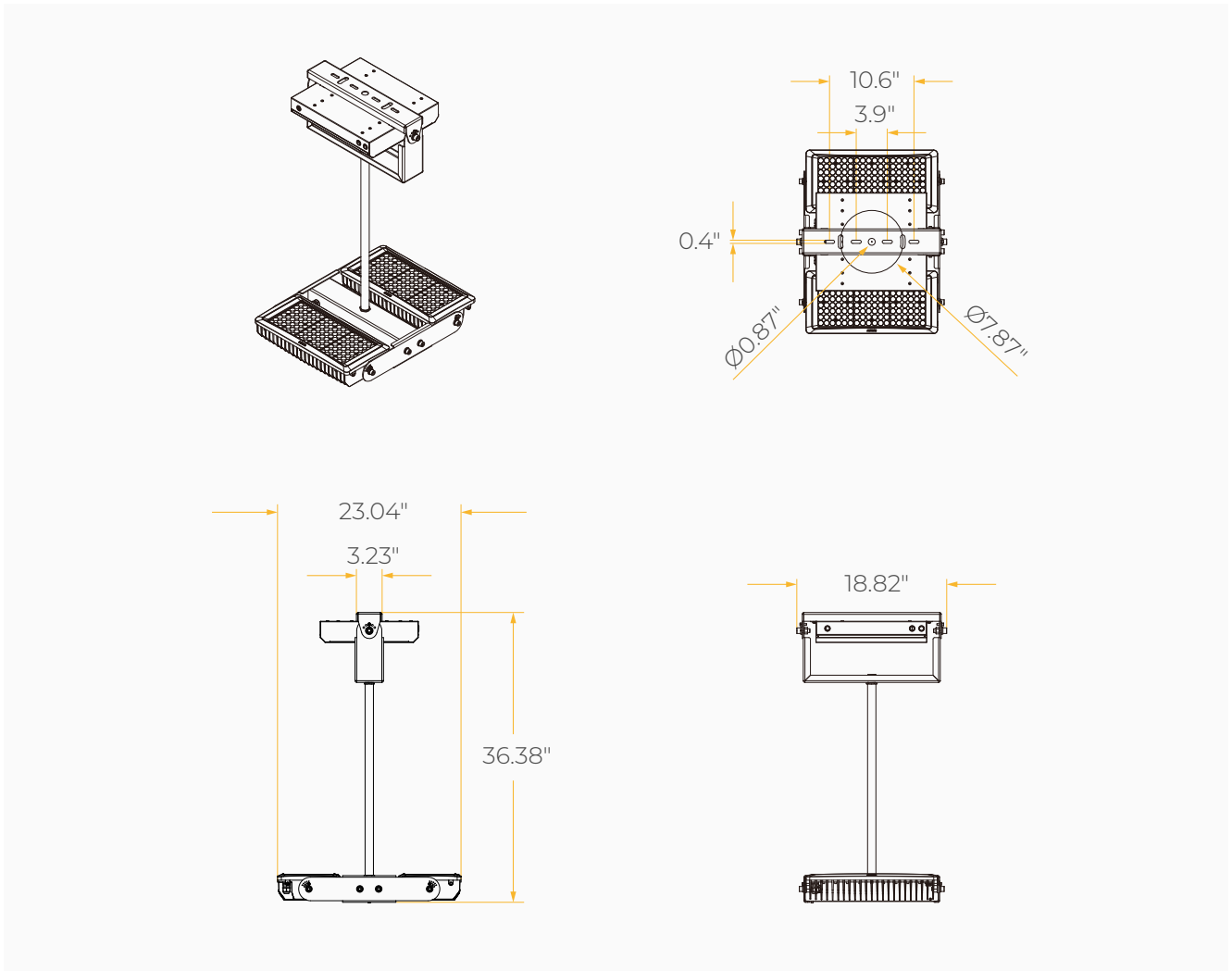
DIMENSIONS

440W / 560W



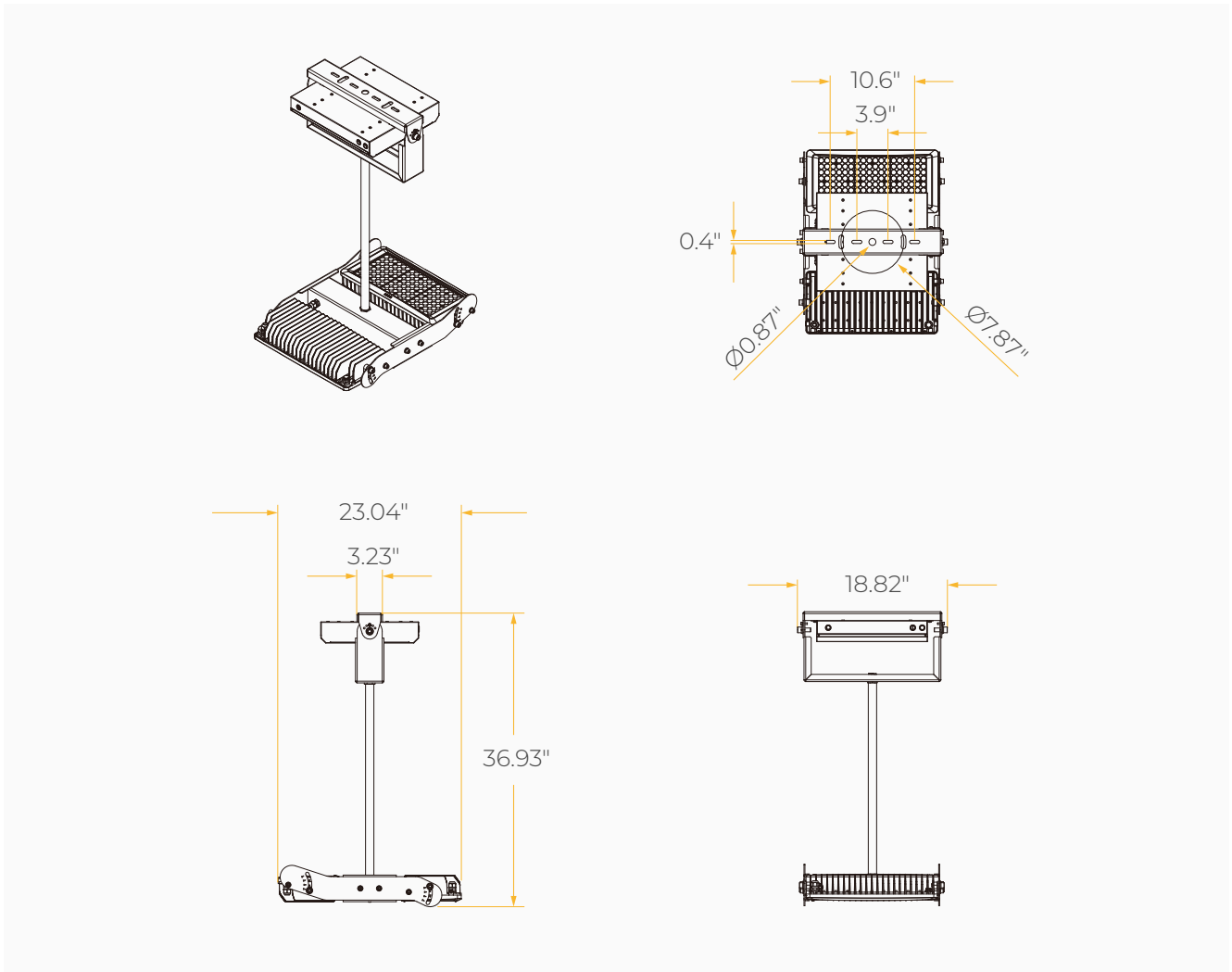
DIMENSIONS

Uplight Only & Downlight Only Stem - 2 ft(36.38") / 4 ft(60.38")



DIMENSIONS

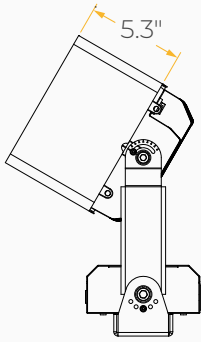
Up/Down Stem - 2 ft(36.93") / 4 ft(60.93")



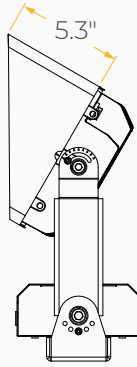
ACCESSORIES

220W / 280W

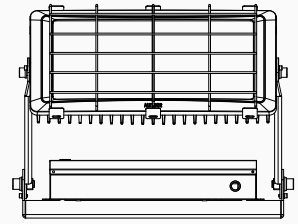
Glare Shield Baffle



Glare Shield Visor

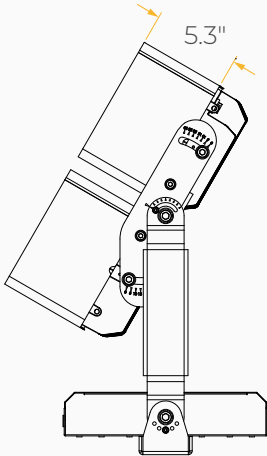


Wire Guard

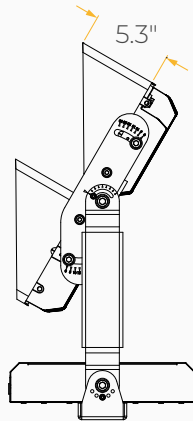


440W / 560W

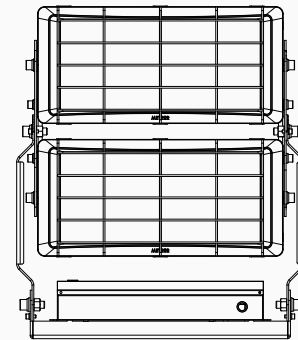
Glare Shield Baffle



Glare Shield Visor

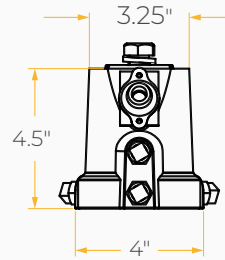
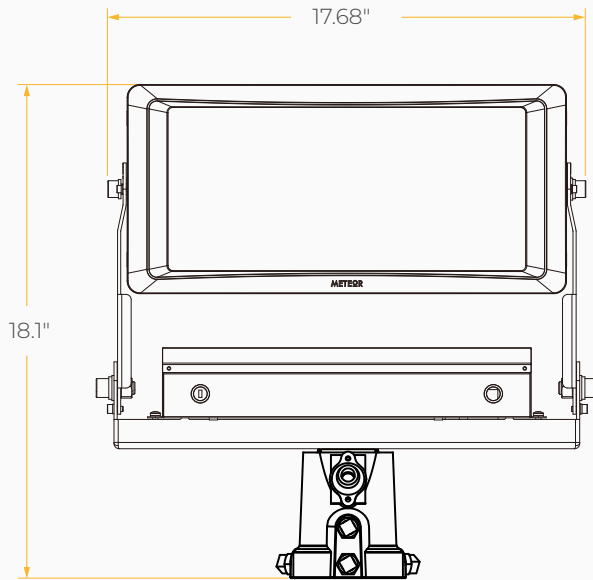


Wire Guard



ACCESSORIES

Slipfitter



Tenon slipfitter fits
2.375" to 2.875" OD tenon.

