

# BOLT

SPECIFICATION SHEET  
OUTDOOR

## HIGH PERFORMING FLOODLIGHT LUMINAIRE

### Housing

Diameter : 7.87" x 17.68" x 11.68" | Weight : 24.25 lbs

### Material

Housing: High Pressure Die-Cast Aluminum, Tempered Glass  
Lens: PC Lens

### Power Input

220W, 280W, 440W, 560W | 120-277V, 347-480V

### Lumen Output

29,700 lm (220W), 36,400 lm (280W), 53,000 lm (440W),  
68,340 lm (560W)

### Dimming

Standard 1-10V: Dims to 10%  
DALI: Dims to 1%

### Color Quality

CRI 75, CRI 85

### Rated Life

> 100,000 Hours (L70)

### Finish



Black



White

### Color Temperature



3000K



4000K



5000K

### Optics



30°



60°



Wide

### Mounting



Stem  
Mount



Bracket

### Warranty

5 Year limited warranty

### Listing



## Unrivalled Performance and Versatility

The Bolt series are award-winning floodlights available in a single or dual module configuration that feature cutting-edge LED technology, a lumen package range of 29,700 lm to 68,340 lm, and IP65 wet location listing.

Hidden under the hood of this sleek and rugged form, is a new light engine that offers static white, tunable white, and W + RGB dynamic color changing possibilities.



# METEOR

[meteor-lighting.com](http://meteor-lighting.com)

SPECIFICATION SHEET / OUTDOOR

**BOLT** HIGH PERFORMING  
FLOODLIGHT LUMINAIRE



**SPECIFICATION**

PROJECT NAME

DATE

CATALOG #

QUANTITY

BLT	MODEL	BOLT SERIES		
<input type="text"/>	WATTAGE	<b>220</b> 220W <b>560</b> 560W	<b>280</b> 280W	<b>440</b> 440W
<input type="text"/>	CCT / CRI	<b>308</b> 3000K / CRI 85	<b>408</b> 4000K / CRI 85	<b>507</b> 5000K / CRI 75
<input type="text"/>	VOLTAGE	<b>UNV</b> 120 – 277V	<b>HVT</b> 347 – 480V	
<input type="text"/>	DIMMING	<b>STV</b> Standard 1-10V dims to 10%	<b>DALI</b> DALI dims to 1%	
<input type="text"/>	BEAM ANGLE	<b>30</b> 30°	<b>60</b> 60°	<b>WD<sup>1</sup></b> Wide
<input type="text"/>	FINISH	<b>BLK</b> Black	<b>WHT</b> White	
<input type="text"/>	MOUNTING	<b>BRK</b> Bracket <b>DS2<sup>2</sup></b> Downlight Stem 2 ft <b>UDS4<sup>2</sup></b> Up/Down Stem 4 ft	<b>US2<sup>2</sup></b> Uplight Stem 2 ft <b>DS4<sup>2</sup></b> Downlight Stem 4 ft	<b>US4<sup>2</sup></b> Uplight Stem 4 ft <b>UDS2<sup>2</sup></b> Up/Down Stem 2 ft
<input type="text"/>	ACCESSORIES	<b>NO</b> No Accessories <b>GSV<sup>5</sup></b> Glare Shield Visor	<b>WG<sup>3</sup></b> Wire Guard <b>DF<sup>6</sup></b> Diffuser	<b>GSB<sup>4</sup></b> Glare Shield Baffle <b>SLP<sup>7</sup></b> Slipfitter (Black only)
<input type="text"/>	RATING	<b>OUT<sup>8</sup></b> Outdoor Rating	<b>NAT<sup>9</sup></b> Natatorium Rating	

<sup>1</sup> Please factor in change in lumen output with diffuser -20% with WD

<sup>2</sup> Only compatible with 440W and 560W

<sup>3</sup> Please factor in change in lumen output of -14%

<sup>4</sup> Please factor in change in lumen output of -40%

<sup>5</sup> Please factor in change in lumen output of -25%

<sup>6</sup> Please factor in change in lumen output with Diffuser (-20% with WD; -12% with other degrees)

<sup>7</sup> Slipfitter is only compatible with BRK

<sup>8</sup> Outdoor Rating: Coating and wiring will be changed to high UV resistant and corrosion resistant materials for long term operation in outdoor environments

<sup>9</sup> Natatorium rating: Coating and sealant will be changed to high corrosion resistant materials to prevent damage from long term exposure to chlorine vapors

**TECHNICAL DETAILS**

**Electrical**

- 29,700 lm (220W)
- 36,400 lm (280W)
- 53,000 lm (440W)
- 68,340 lm (560W)
- Power Input: Universal (120-277V); HVT (347-480V)
- Operating Temperature: -40°F~104°F
- Surge Protection: Built-in is 10KV

**LED Features**

- Color Temperature: 3000K, 4000K, 5000K
- CRI 75, CRI 85
- Long lasting LED luminaire tested under TM21 lumen maintenance L70 @ 100,000 Hrs

**Optics**

- Precision molded high transmittance clear PC lens
- Beam Angle: 30°, 60°, WD

**Advanced Dimming**

- Proprietary VX Driver™ is incorporated to all dimming options for video flicker-free lighting
- Standard 1-10V: Dims to 10%
- DALI: Dims to 1%

**EPA**

- 60W/100W: 0.692 ft²
- 150W/200W: 0.719 ft²
- 60W/100W (Glare Shield Visor): 0.96 ft²
- 150W/200W (Glare Shield Visor): 0.999 ft²

**Housing**

- Diameter:  
220W/280W: 7.87" x 17.68" x 11.68"  
440W/560W: 11.68" x 19.35" x 16.5"
- Material: High Pressure Die-Cast Aluminum, Tempered Glass
- Weight:  
220W/280W: 24.25 lbs  
440W/560W: 48.5 lbs

**Mounting**

- Bracket
- Uplight Stem 2 ft / 4 ft
- Downlight Stem 2 ft / 4 ft
- Up/Down Stem 2 ft / 4 ft

**Warranty**

- 5-year limited warranty

**Listing**

- ETL Wet Location Listed
- CE
- UKCA
- FCC
- IP 65

**PERFORMANCE SUMMARY\***

Delivered Lumens			
CCT/WATTAGE	3000K	4000K	5000K
<b>220W</b>	25,245lm	26,730lm	29,700lm
<b>280W</b>	30,940lm	32,760lm	36,400lm
<b>440W</b>	45,050lm	47,700lm	53,000lm
<b>560W</b>	58,090lm	61,500lm	68,340lm

Current Consumption		
WATTAGE / VOLT	120V	277V
<b>220W</b>	2.02A	0.87A
<b>280W</b>	2.57A	1.11A
<b>440W</b>	4.03A	1.75A
<b>560W</b>	5.13A	2.22A

\*Beam Angle: 60° \*Tolerance ±8%

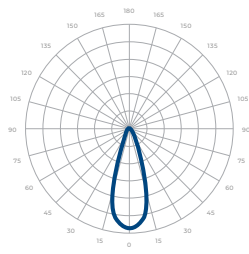
## SPECIFICATION SHEET / OUTDOOR

**BOLT** HIGH PERFORMING  
FLOODLIGHT LUMINAIRE

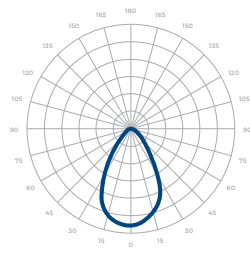
# METEOR

## PHOTOMETRICS

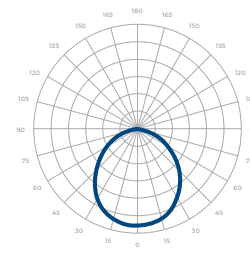
Below is a typical photometric representation of the Bolt fixture. Please download IES files to ensure exact photometric value.



30°



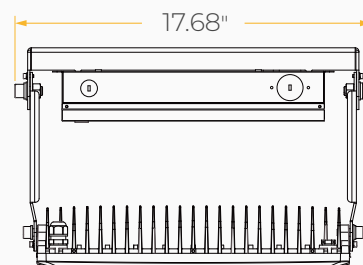
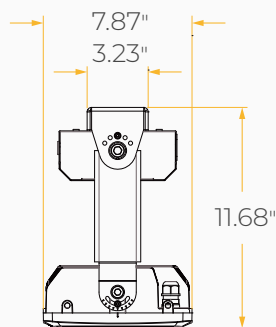
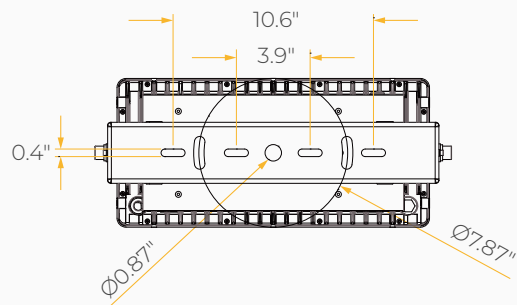
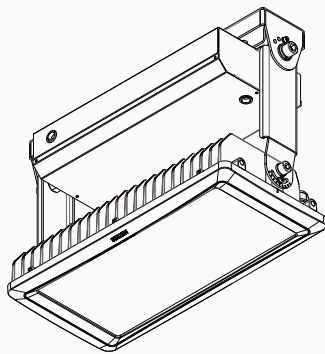
60°



WIDE

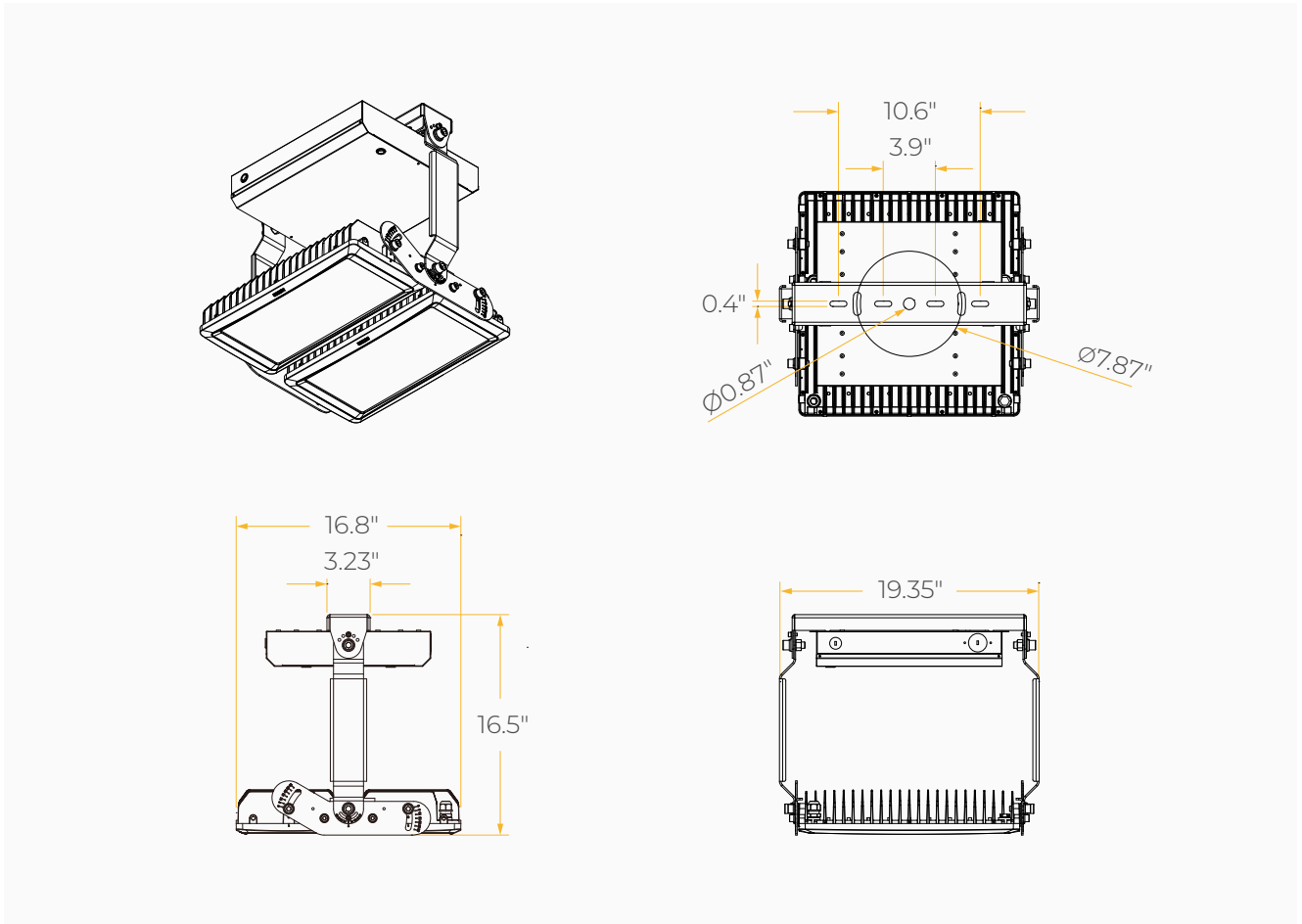
## DIMENSIONS

220W / 280W



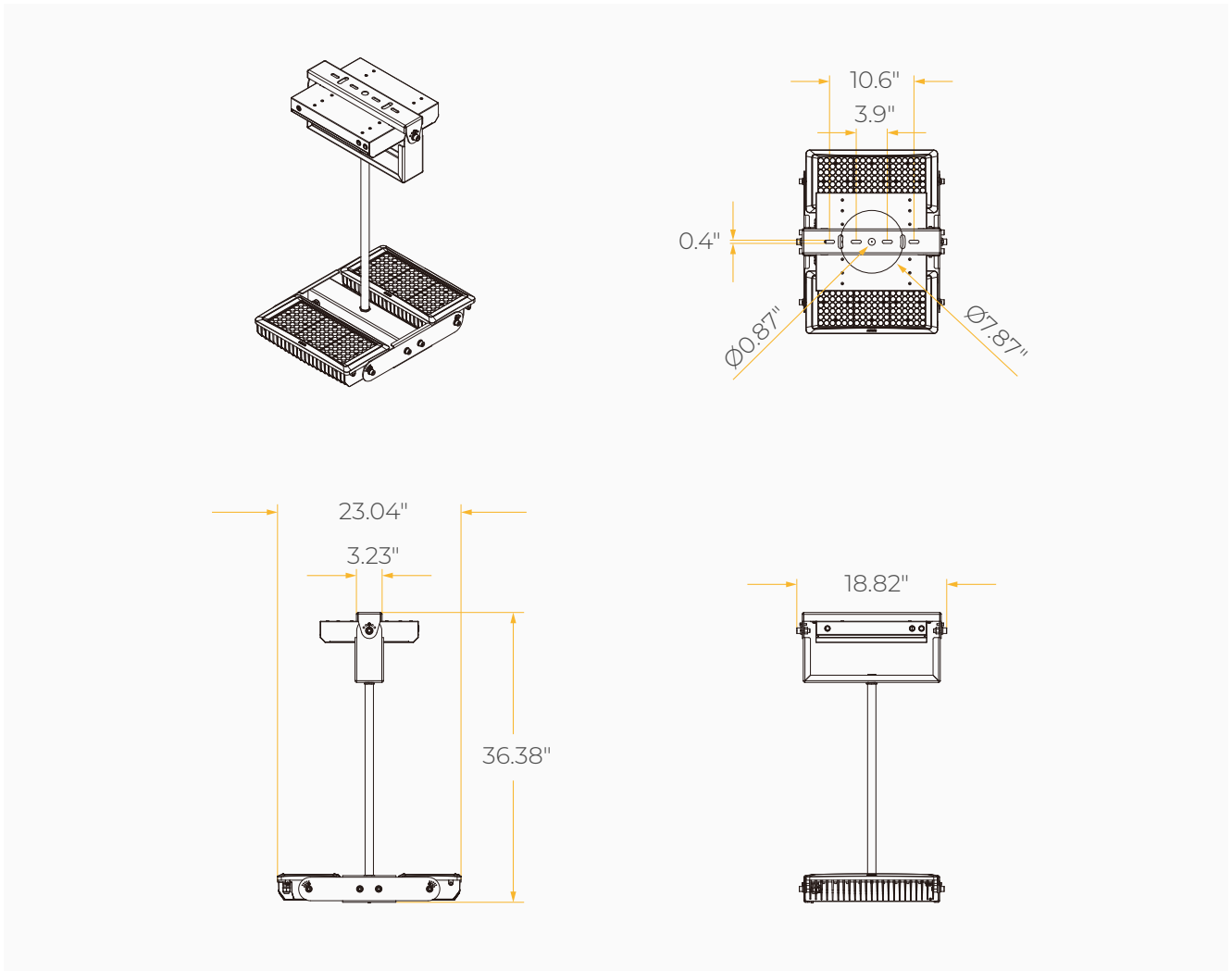
**DIMENSIONS**

440W / 560W



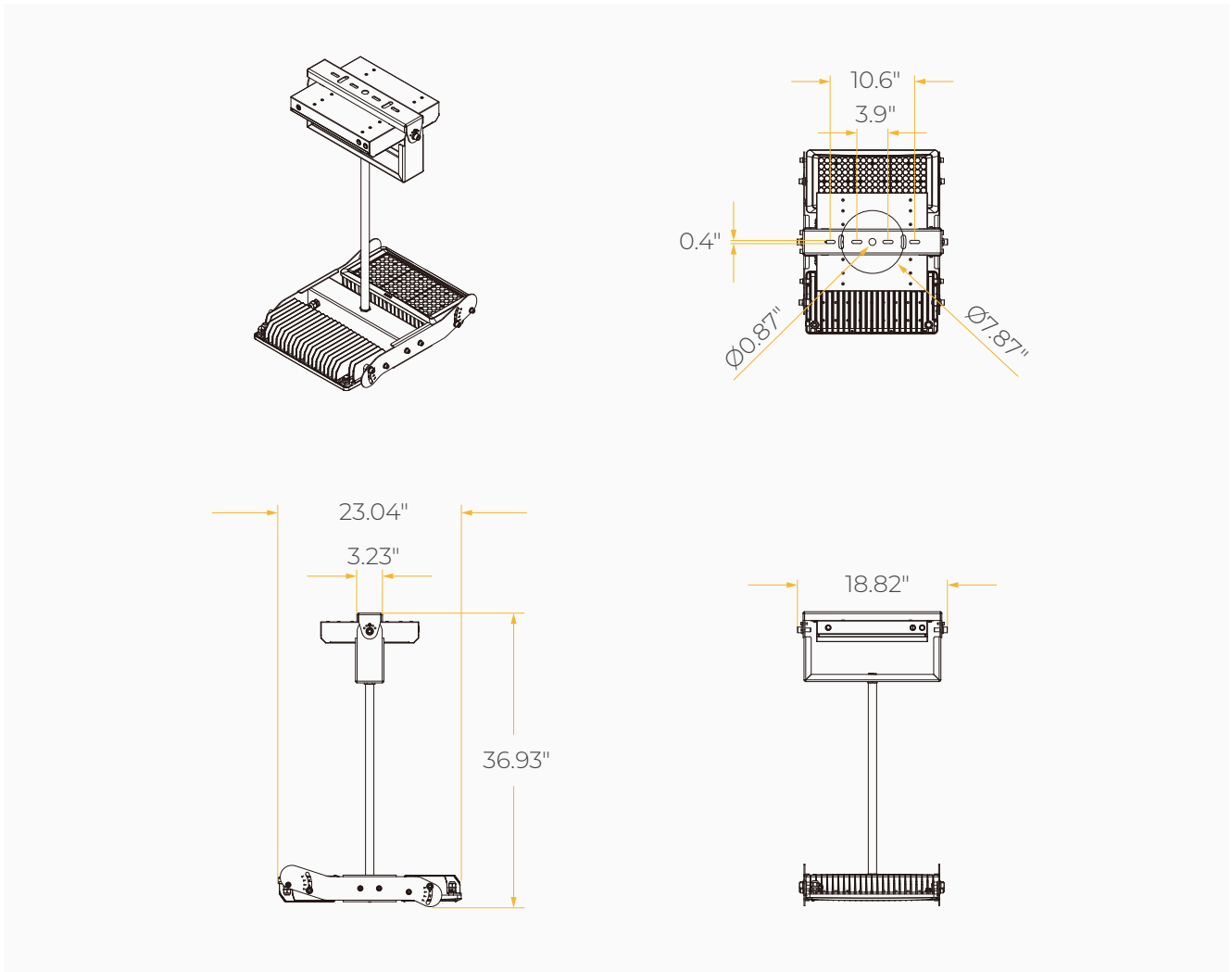
**DIMENSIONS**

Uplight Only & Downlight Only Stem - 2 ft / 4 ft



**DIMENSIONS**

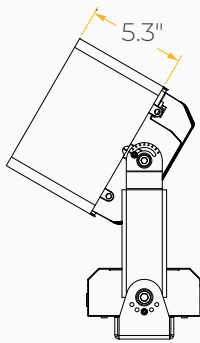
Up/Down Stem - 2 ft / 4 ft



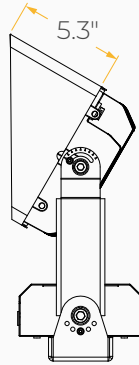
**ACCESSORIES**

220W / 280W

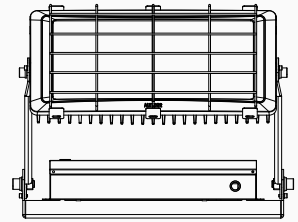
Glare Shield Baffle



Glare Shield Visor

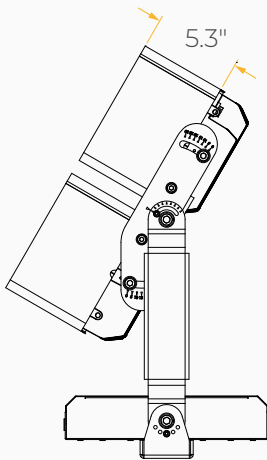


Wire Guard

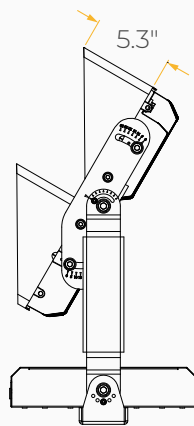


440W / 560W

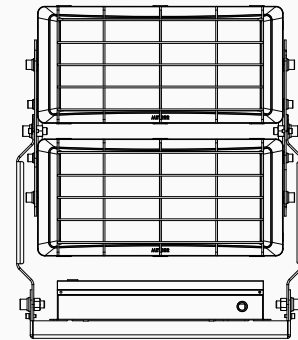
Glare Shield Baffle



Glare Shield Visor



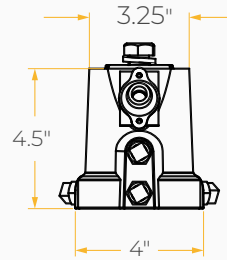
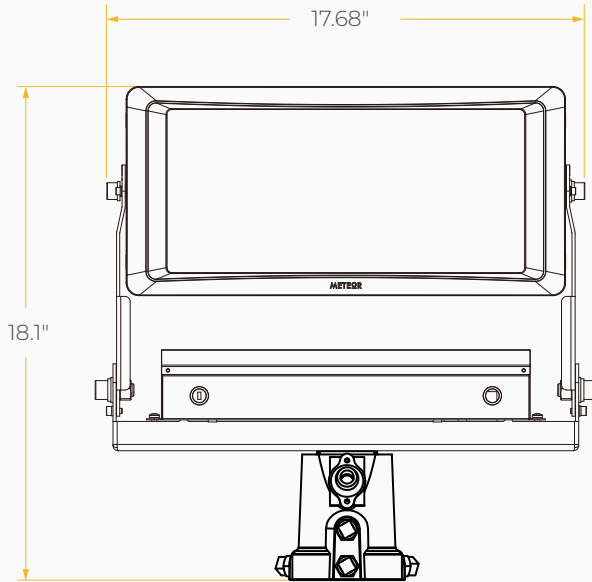
Wire Guard





**ACCESSORIES**

Slipfitter



Tenon slipfitter fits 2.375" to 2.875" OD tenon.

