

BOLT

HIGH PERFORMING FLOODLIGHT LUMINAIRE

SPECIFICATION SHEET
OUTDOOR
ARCHI-COLOR™ W+RGB

Housing

Diameter : 7.87" x 17.68" x 11.68" | Weight : 24.25 lbs

Material

Housing: High Pressure Die-Cast Aluminum
Lens: Clear Polycarbonate

Power Input

260W | 120-277V

Lumen Output

22,100 lm (260W) - W+RGB combined

Dimming

DMX: High resolution dims to 0.1% (Supports ANSI E1.20 RDM protocol)

Color Quality

CRI 85

Rated Life

> 100,000 Hours (L70)

Finish



Black



White

Color Temperature



3000K



Archi-Color™ W+RGB

Optics



30°



60°



Wide

Mounting



Bracket

Warranty

5 Year limited warranty

Listing



Unrivalled Performance and Versatility

The Bolt series are award-winning floodlights available in a single or dual module configuration that feature cutting-edge LED technology. It delivers lumen package of up to 22,100 lm.

Hidden under the hood of this sleek and rugged form, is a new light engine that offers static white, tunable white, and Archi-Color™ W+RGB dynamic color changing possibilities.



SPECIFICATION SHEET / OUTDOOR ARCHI-COLOR™ W+RGB

BOLT HIGH PERFORMING FLOODLIGHT LUMINAIRE



SPECIFICATION

PROJECT NAME	DATE
<input type="text"/>	<input type="text"/>
CATALOG #	QUANTITY
<input type="text"/>	<input type="text"/>

BLT	MODEL	BOLT SERIES		
260	WATTAGE	260	260W	
308C	CCT / CRI	308C	3000K / CRI85 +RGB	
UNV	VOLTAGE	UNV	120 – 277V	
	DIMMING	DMX DMX dims to 0.1% (XLR Sockets)	DMXR DMX dims to 0.1% (RJ45 Sockets)	
	BEAM ANGLE	30 30°	60 60°	WD¹ Wide
	FINISH	BLK Black	WHT White	
BRK	MOUNTING	BRK Bracket		
RM	POWER SUPPLY	RM² Remote Power Box		
	ACCESSORIES	NO No Accessories GSV⁵ Glare Shield Visor	WG³ Wire Guard DF⁶ Diffuser	GSB⁴ Glare Shield Baffle
	RATING	OUT⁷ Outdoor Rating	NAT⁸ Natatorium Rating	

¹ Please factor in change in lumen output with WD -20%
² Remote power box is dry location only
³ Please factor in change in lumen output with WG -14%
⁴ Please factor in change in lumen output with GSB -40%
⁵ Please factor in change in lumen output with GSV -25%
⁶ Please factor in change in lumen output with Diffuser (-20% with WD; -12% with other degrees)
⁷ Outdoor Rating: Coating and wiring will be changed to high UV resistant and corrosion resistant materials for long-term operation in outdoor environments
⁸ Natatorium Rating: Coating and sealant will be changed to high corrosion resistant materials to prevent damage from long term exposure to chlorine vapors

TECHNICAL DETAILS

Electrical

- 22,100 lm (260W)
- Power Input: Universal (120-277V)
- Operating Temperature: -40°F~104°F
- Surge Protection: Built-in is 4KV

LED Features

- Color Temperature: 3000K + Archi-Color™ W+RGB
- CRI 85
- Long lasting LED luminaire tested under TM21 lumen maintenance L70 @ 100,000 Hrs

Optics

- Precision molded high transmittance clear PC lens
- Beam Angle: 30°, 60°, Wide
- RGB Beam Angle: WD

Advanced Dimming

- Proprietary VX Driver™ is incorporated to all dimming options for video flicker-free lighting
- DMX: high resolution dims to 0.1% (Supports ANSI E1.20 RDM protocol)

Housing

- Diameter: 7.87" x 17.68" x 11.68"
- Material: High Pressure Die-Cast Aluminum, Tempered Glass
- Weight: 24.25 lbs

Mounting

- Bracket with remote power box

Warranty

- 5-year limited warranty

Listing

- ETL Damp Location Listed
- CE
- UKCA
- FCC
- IP 65

PERFORMANCE SUMMARY*

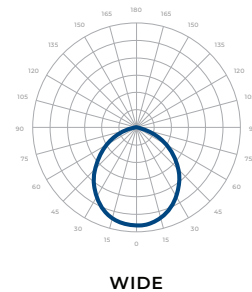
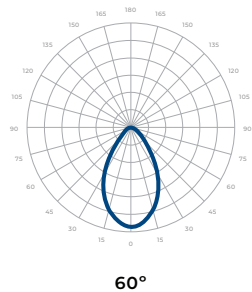
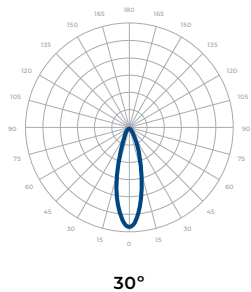
Delivered Lumens				
CCT/WATTAGE	R	G	B	W
260W	40W	40W	40W	140W
	650lm	4,450lm	1,260lm	15,740lm

*Beam Angle: 60° *Tolerance ±8%

Current Consumption		
WATTAGE / VOLT	120V	277V
260W	2.39A	1.04A

PHOTOMETRICS

Below is a typical photometric representation of the Bolt fixture. Please download IES files to ensure exact photometric value.



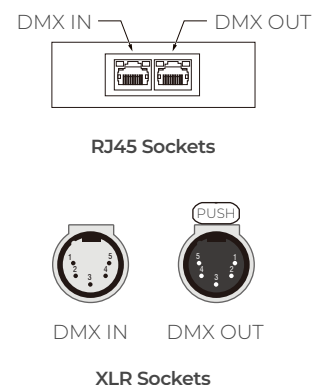
DMX REQUIREMENTS

The Bolt Archi-Color™ W+RGB fixture with DMX is a **four channel dmx** unit. When placing an order, please indicate DMX address. (The DMX address will be listed on the back of the fixture). Do not connect more than 32 fixtures per DMX daisy chain.

Fixture	DMX Address			
	Red Control (ex. X)	Green Control (ex. X+1)	Blue Control (ex. X+2)	White Control (ex. X+3)
#1	1	2	3	4
#2	5	6	7	8
#3	9	10	11	12

The fixture can be connected with RJ45 or XLR sockets. DMX cables **are not** included; please refer to compatible DMX cabling list for more information. The final fixture on each daisy chain should be terminated by the use of a DMX terminator purchased from a 3rd party or from Meteor.

CONNECTION	RJ45 (CAT5e)	5-PIN XLR
Common	WHITE/BROWN(PIN7) & BROWN (PIN 8)	PIN 1
Signal -	ORANGE (PIN 2)	PIN 2
Signal +	WHITE/ORANGE (PIN 1)	PIN 3
Spare	-	PIN 4
Spare	-	PIN 5

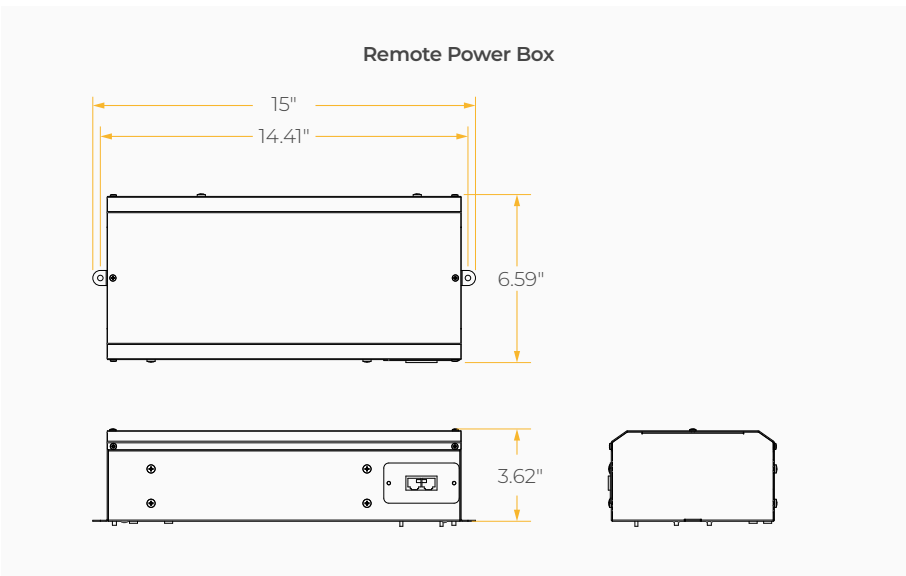
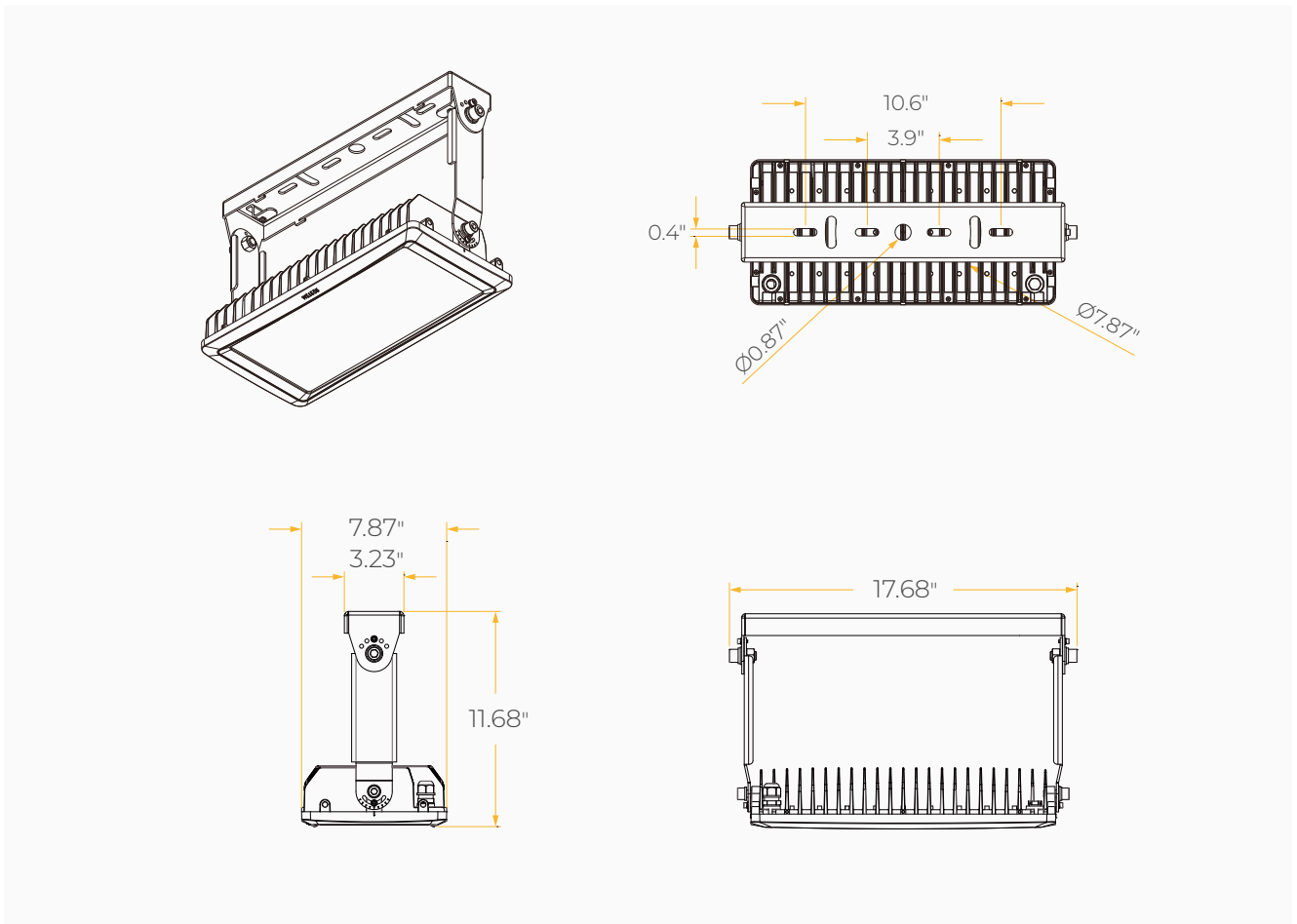


COMPATIBLE DMX CABLING LIST

DMX uses a cable consisting of two twisted pairs plus a shield to carry data. The cable must be specifically impedance matched for the digital DMX signal, meaning that microphone cable or other non-rated cable **must not be used to carry DMX**. Network cable (Cat5, 5e or 6 cable) may be used to carry DMX in an installation; however special consideration must be given to shielding and termination. Under no circumstances should solid core cable like Cat5 be terminated into a screw down connector.

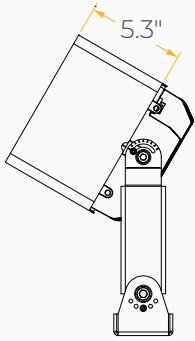
Meteor recommends the use of Belden 9729 or Belden 9841 for DMX installation. Belden 9729/9841 is a two pair cable, which allows for a spare pair for 'out and back' type terminations if needed.

DIMENSIONS

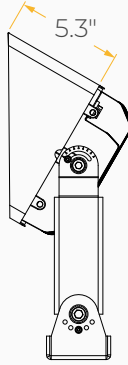


ACCESSORIES

Glare Shield Baffle



Glare Shield Visor



Wire Guard

