

ATRIA 8

SPECIFICATION SHEET
OUTDOOR

HIGH-PERFORMANCE VERSATILE CYLINDER

Housing

Diameter : Ø8.1" | Height : 21.5" | Weight : 20 lbs

Material

Housing: High Pressure Die-Cast Aluminum
Optics: Metal Reflector

Power Input

80W, 100W, 130W, 160W | 120-277V

Lumen Output

8,200 lm (80W), 10,250 lm (100W), 13,330 lm (130W), 16,410 lm (160W)

Dimming

Standard 0-10V: Dims to 10%
DALI: Dims to 10%

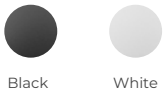
Color Quality

CRI 85, CRI 93

Rated Life

> 100,000 Hours (L70)

Finish



Color Temperature



Optics



Mounting



Warranty

5 Year limited warranty

Listing



Robust high-performance engineering in a smaller form factor.

The Atria 8 cylinder is a new high-performing cylinder addition to the series. Boasting a delivered lumen package of 7,500 lm to 16,500 lm, the Atria 8 is IP65, wet location listed and has a variety of versatile mounting and dimming options. Ideally suited to various outdoor applications such as outdoor canopies and overhangs ranging from 20 ft – 36 ft mounting heights.



METEOR

meteor-lighting.com

SPECIFICATION

PROJECT NAME

DATE

CATALOG #

QUANTITY

AS8	MODEL	ATRIA 8		
	WATTAGE	80 80W 160 160W	100 100W	130 130W
	CCT / CRI	278 2700K / CRI 85 309 3000K / CRI 93 408 4000K / CRI 85	279 2700K / CRI 93 358 3500K / CRI 85	308 3000K / CRI 85 359 3500K / CRI 93
UNV	VOLTAGE	UNV 120 – 277V		
	DIMMING	STV Standard 0-10V dims to 10%	DALI ¹ DALI dims to 10%	
	BEAM ANGLE	30 30° WD ² Wide	45 45°	55 55°
	FINISH	BLK Black	WHT White	
	RIM FINISH	STD Standard	GLR Glowing Ring	
	MOUNTING	ST2 Stem 2ft SAD10 Sloped Adjustable Cable 10ft SUM Surface Mount	ST4 Stem 4ft YKM Yoke Mount	AD10 Adjustable Cable 10ft WLM Wall Mount
	ACCESSORIES	NO No Accessories	SPD ³ Surge Protector	CT ⁴ Conduit Mount
	RATING	OUT ⁵ Outdoor Rating	NAT ⁶ Natatorium Rating	

¹ Option is only compatible with 80W, 100W, 130W

² Please factor in change in lumen output of ~20% with WD

³ Surge protector for up to 10KV. Applicable for unstable mains or facilities using high power machineries

⁴ CT only compatible with ST and AD mounting types

⁵ Outdoor Rating: Coating and wiring will be changed to high UV resistant and corrosion resistant materials for long-term operation in outdoor environments

⁶ Natatorium Rating: Coating and sealant will be changed to high corrosion resistant materials to prevent damage from long-term exposure to chlorine vapors

TECHNICAL DETAILS

Electrical

- 8,200 lm (80W), 10,250 lm (100W), 13,330 lm (130W), 16,410 lm (160W)
- Power Input: Universal (120-277V)
- Operating Temperature: -13°F~112°F
- Surge Protection: Built-in is 4KV
- Power Factor Greater than 0.9

LED Features

- Color Temperature: 2700K, 3000K, 3500K, 4000K
- CRI 85, CRI 93
- Long lasting LED luminaire tested under TM21 lumen maintenance L70 @ 100,000 Hrs
- Lumen Maintenance > 0.90 at 60,000 hours

Optics

- Aluminum Reflector
- Beam Angle: 30°, 45°, 55°, WD

Advanced Dimming

- Proprietary VX Driver™ is incorporated to all dimming options for video flicker-free lighting
- Standard 0-10V: Dims to 10%
- DALI: Dims to 10%

Housing

- Diameter: Ø8.1"
- Height: 21.5"
- Material: High Pressure Aluminum, Metal Reflector
- Weight: 20 lbs

Mounting

- Stem 2ft or 4ft; 45° Swivel Canopy Included
- Adjustable Cable 10ft
- Sloped Adjustable Cable 10ft
- Surface Mount
- Yoke Mount
- Wall Mount

Warranty

- 5-year limited warranty

Listing

- ETL Wet Location Listed
- CE
- UKCA
- FCC
- IP65

PERFORMANCE SUMMARY*

Delivered Lumens				
CCT/WATTAGE	2700K	3000K	3500K	4000K
80W	7,500lm	7,730lm	7,960lm	8,200lm
100W	9,380lm	9,660lm	9,950lm	10,250lm
130W	12,200lm	12,560lm	12,940lm	13,330lm
160W	15,010lm	15,460lm	15,930lm	16,410lm

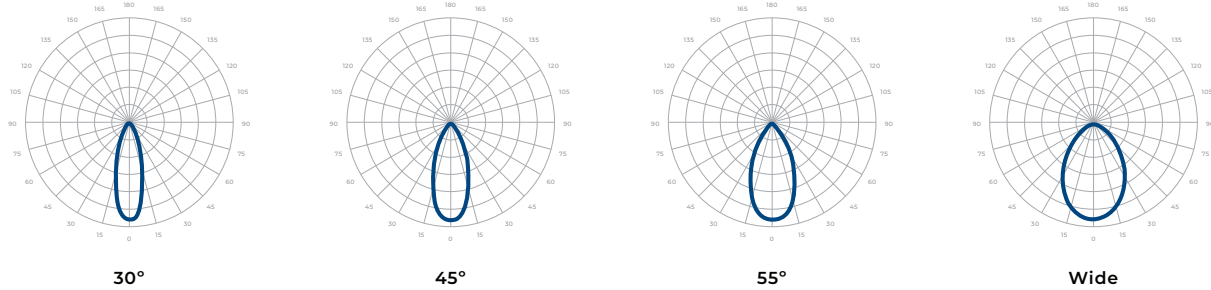
Current Consumption		
WATTAGE / VOLT	120V	277V
80W	0.73A	0.32A
100W	0.91A	0.39A
130W	1.2A	0.52A
160W	1.5A	0.64A

*Beam Angle 55° Tolerance±8%

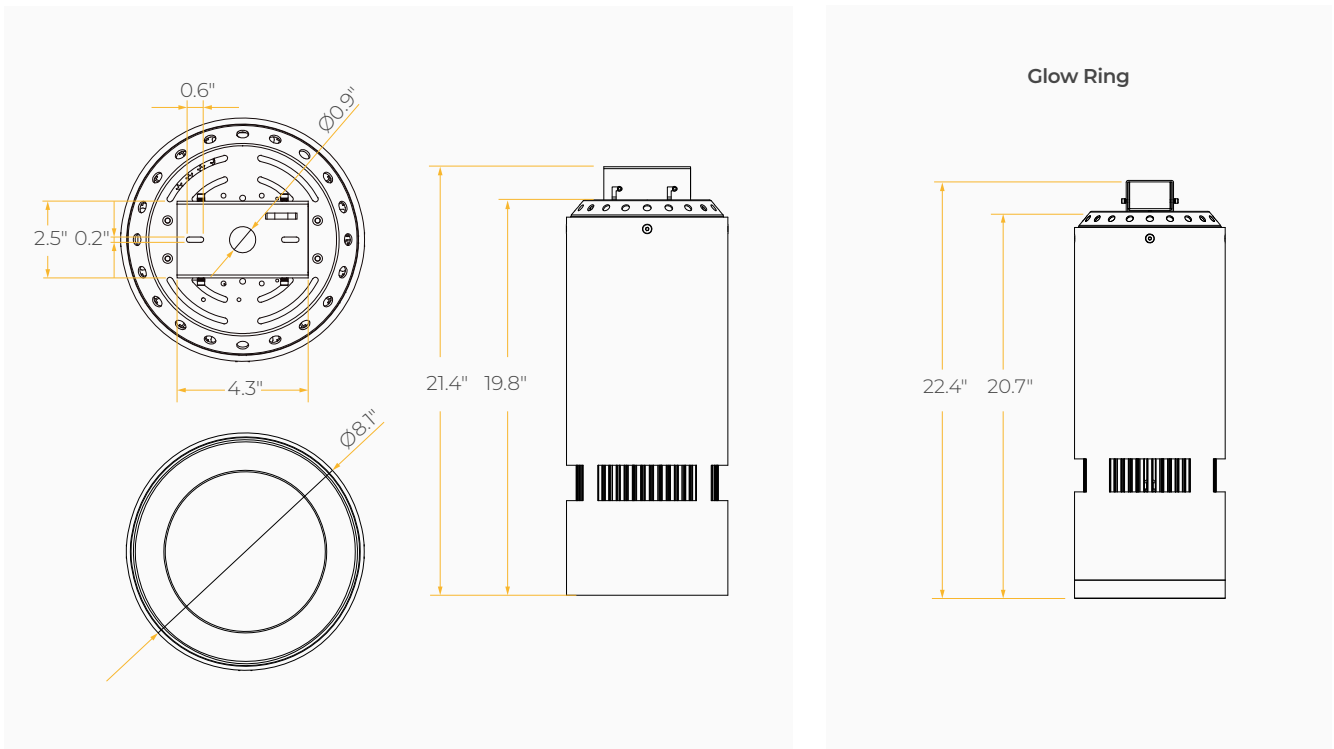
Emergency Pack Lumen Output Table			
CCT	2700K	3000K	4000K
LUMEN	1,870lm	1,925lm	2,040lm

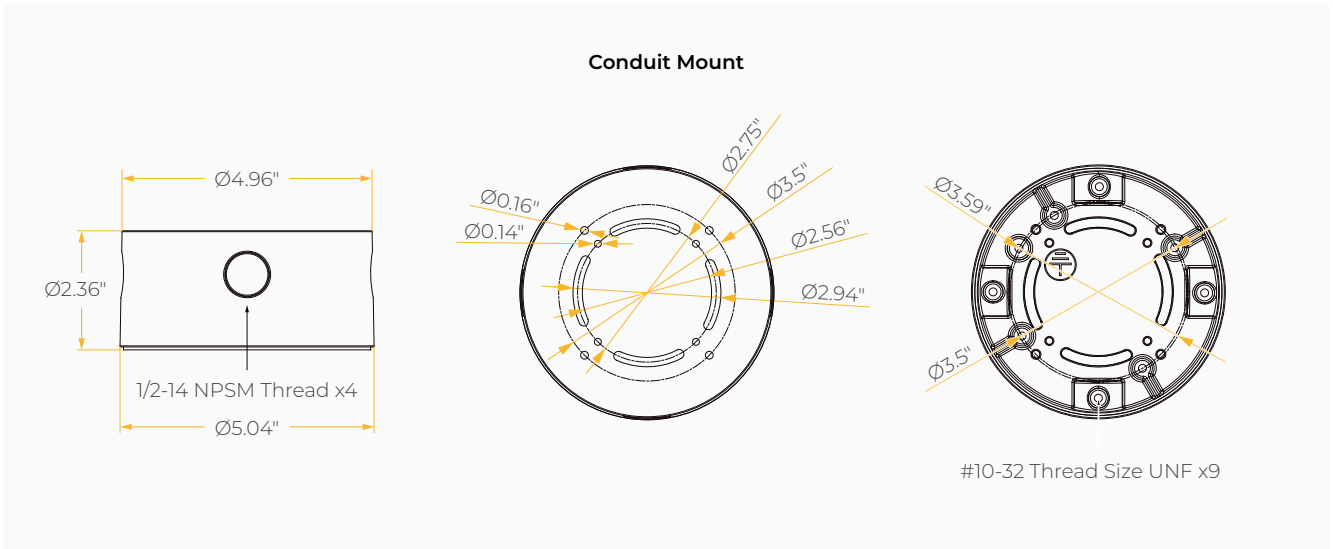
PHOTOMETRICS

Below is a typical photometric representation of the Atria 8 fixture. Please download IES files to ensure exact photometric value.



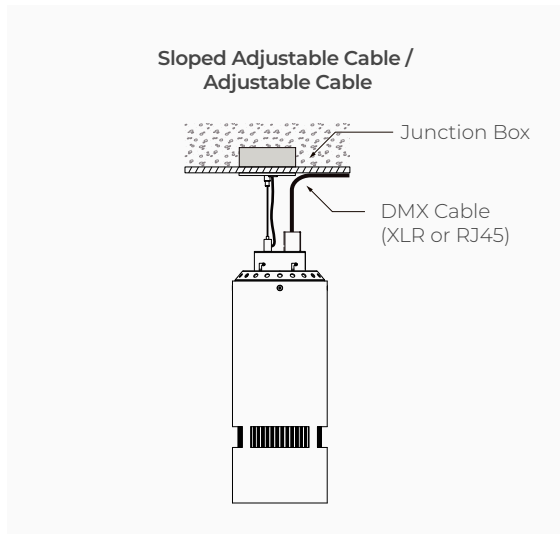
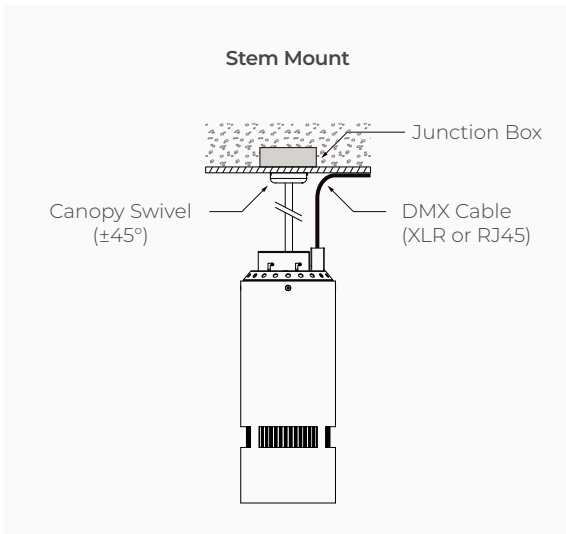
DIMENSIONS*





MOUNTING OPTIONS*

*Junction box not included



MOUNTING OPTIONS*

*Junction box not included

