

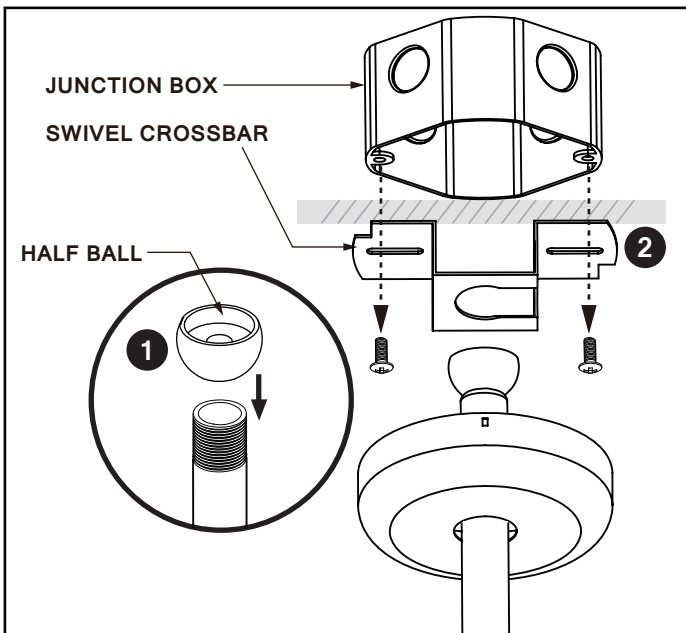
ADVANCED HIGH CEILING Reizen - 110L & 190L Stem Mount 0-10V



IMPORTANT SAFETY INFORMATION. READ AND FOLLOW ALL SAFETY INSTRUCTIONS

IMPORTANT SAFETY INFORMATION. READ AND FOLLOW ALL SAFETY INSTRUCTIONS. Before wiring to power supply and during servicing or relamping, turn off power at fuse or circuit breaker. All servicing or relamping must be performed by qualified service personnel. Product must be grounded to avoid potential electric shock or other potential hazard. Product must be at locations and at heights and in a manner consistent with its intended use, and in compliance with Electrical Code and local codes.

SAVE THESE INSTRUCTIONS FOR FUTURE REFERENCE.

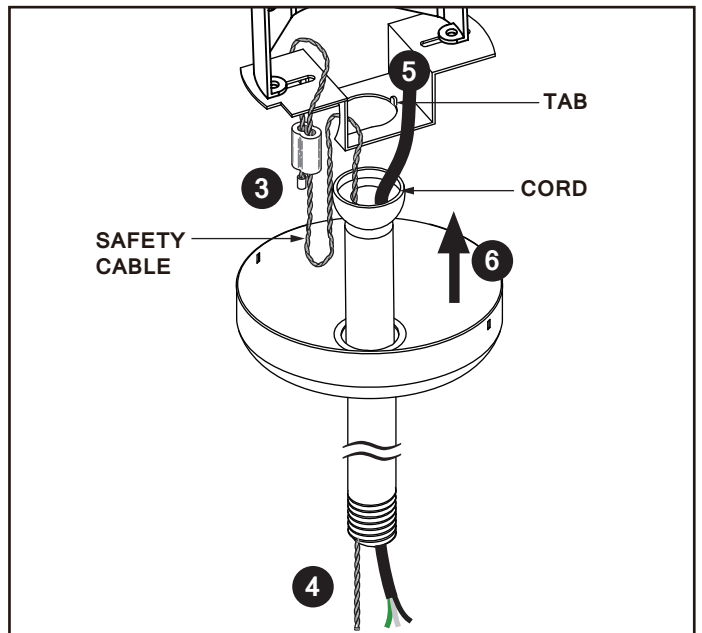


Step 1

Secure half ball with stem.

Step 2

Attach swivel crossbar to junction box (by others).



Step 3

Loop and secure the safety cable around swivel crossbar.

Step 4

Feed the safety cable and power cord through the stem and insert the half ball into slot on the swivel crossbar. Align the slot on ball joint with the tab on the swivel crossbar.

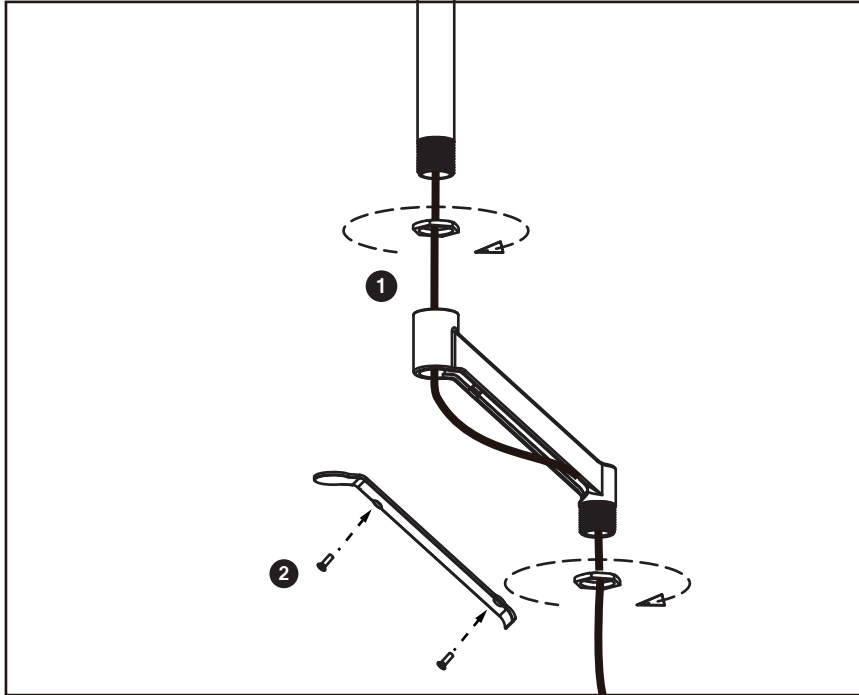
Step 5

Make electrical connections in junction box. (Refer to wiring diagram.)

Step 6

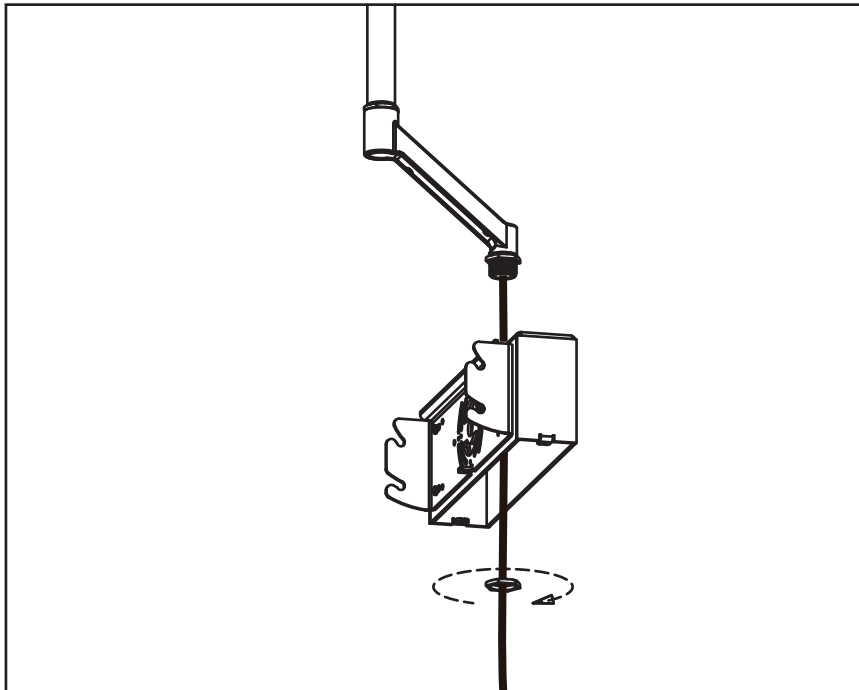
Install canopy cover by aligning the tabs on crossbar with the slots on the canopy plate.

ADVANCED HIGH CEILING Reizen - 110L & 190L Stem Mount 0-10V



Step 7

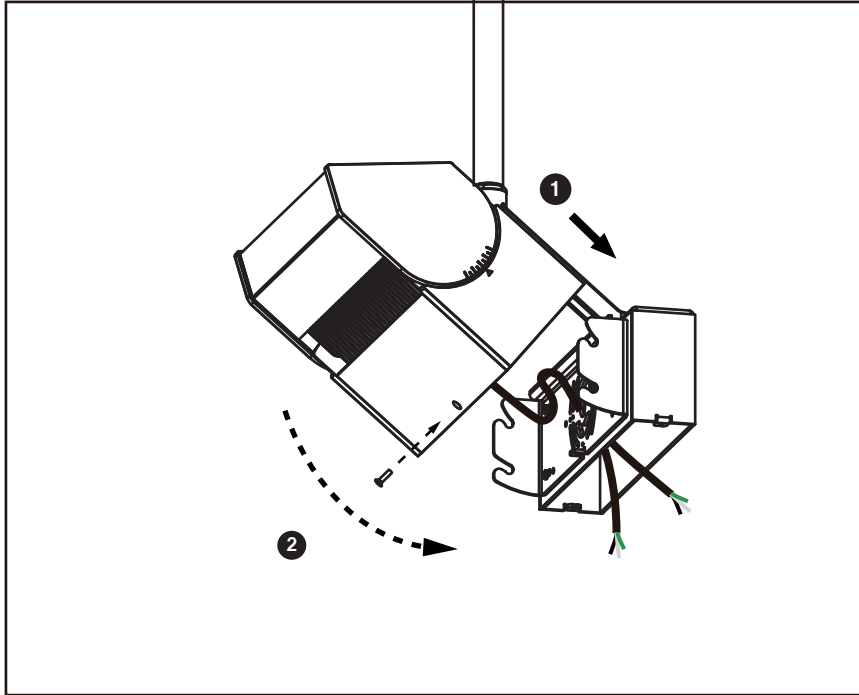
Thread AC wires through stem mount bracket before fastening hex nuts on lower stem and stem mount bracket. Cover stem mount bracket plate with the screws indicated.



Step 8

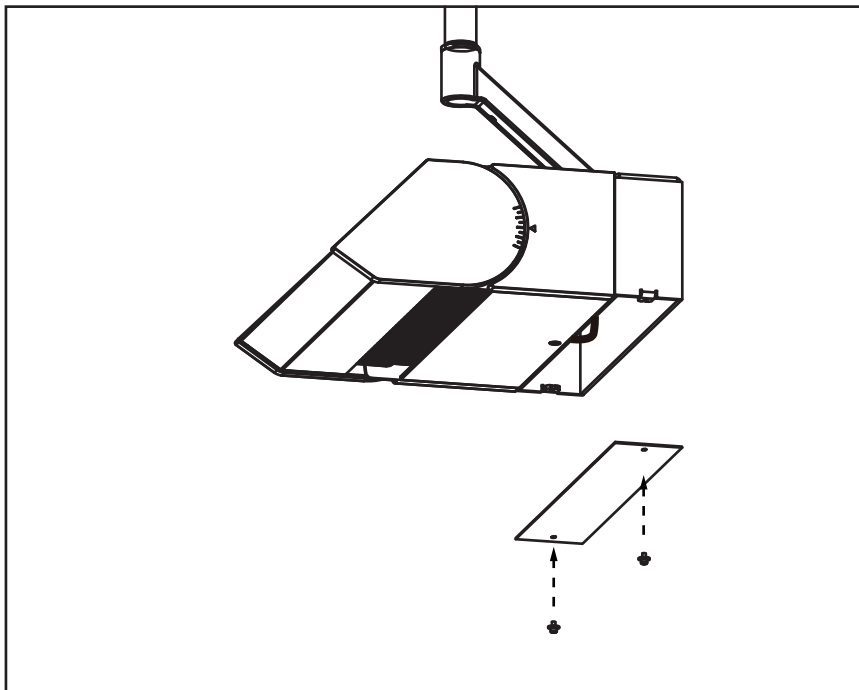
Lock in place the stem mount bracket with luminaire bracket using the hex nut provided.

ADVANCED HIGH CEILING Reizen - 110L & 190L Stem Mount 0-10V



Step 9

Thread luminaire wiring through bracket plate. Slip the luminaire at an angle over the lock-in grooves, and secure in place.



Step 10

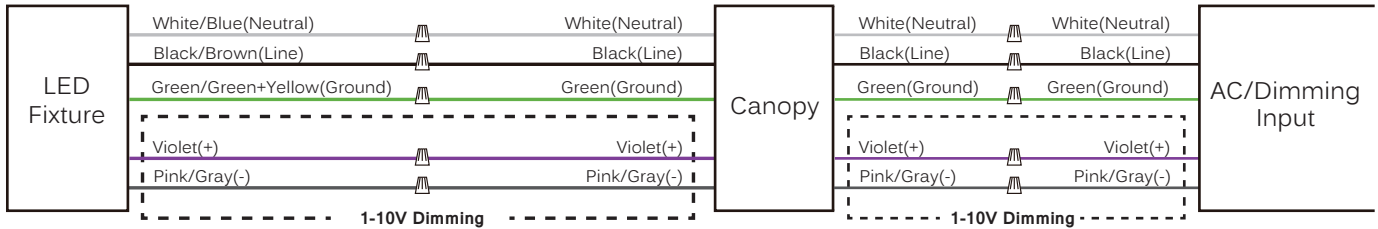
Make electrical connections between AC wiring and luminaire wiring (Refer to wiring diagram for more details). Cover electrical wiring with plate provided.

ADVANCED HIGH CEILING Reizen - 110L & 190L Stem Mount 0-10V

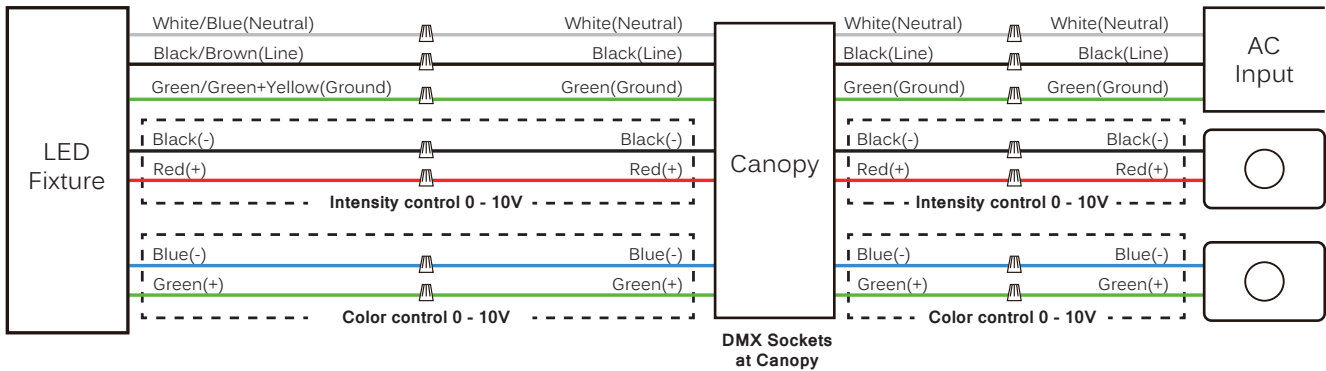


Wiring Diagram

STV & SPV | 1 -10V Dimming down to 10% & 1%



TNW SPV 0-10



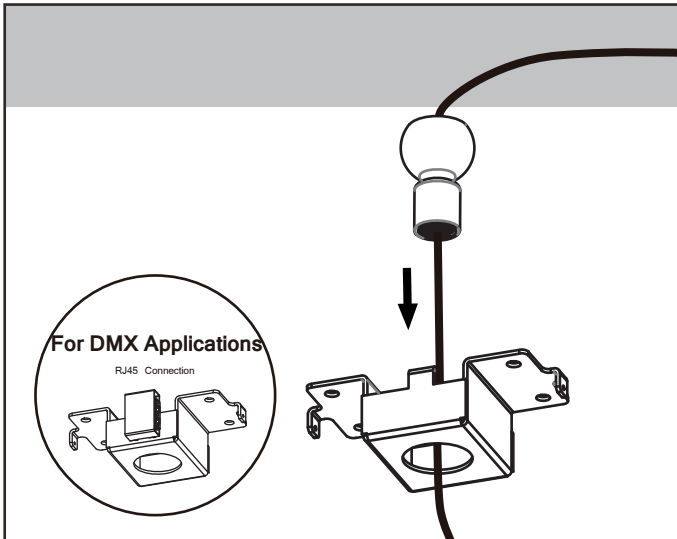
ADVANCED HIGH CEILING Reizen - 110L & 190L Stem Mount DMX



IMPORTANT SAFETY INFORMATION. READ AND FOLLOW ALL SAFETY INSTRUCTIONS

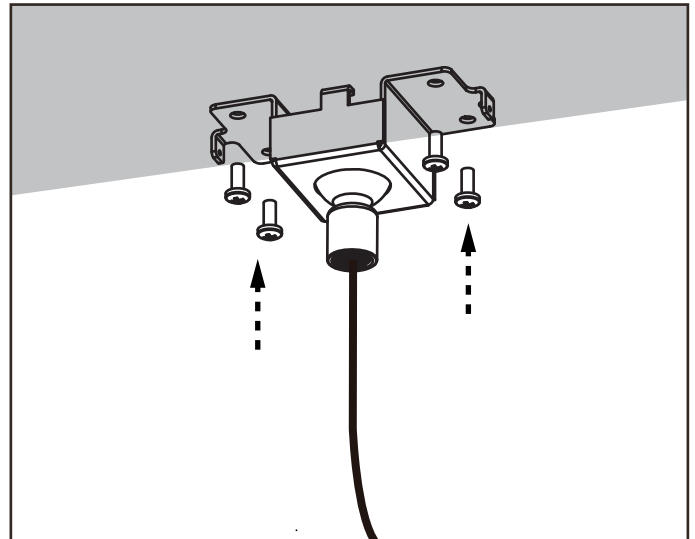
IMPORTANT SAFETY INFORMATION. READ AND FOLLOW ALL SAFETY INSTRUCTIONS. Before wiring to power supply and during servicing or relamping, turn off power at fuse or circuit breaker. All servicing or relamping must be performed by qualified service personnel. Product must be grounded to avoid potential electric shock or other potential hazard. Product must be at locations and at heights and in a manner consistent with its intended use, and in compliance with Electrical Code and local codes.

SAVE THESE INSTRUCTIONS FOR FUTURE REFERENCE.



Step 1

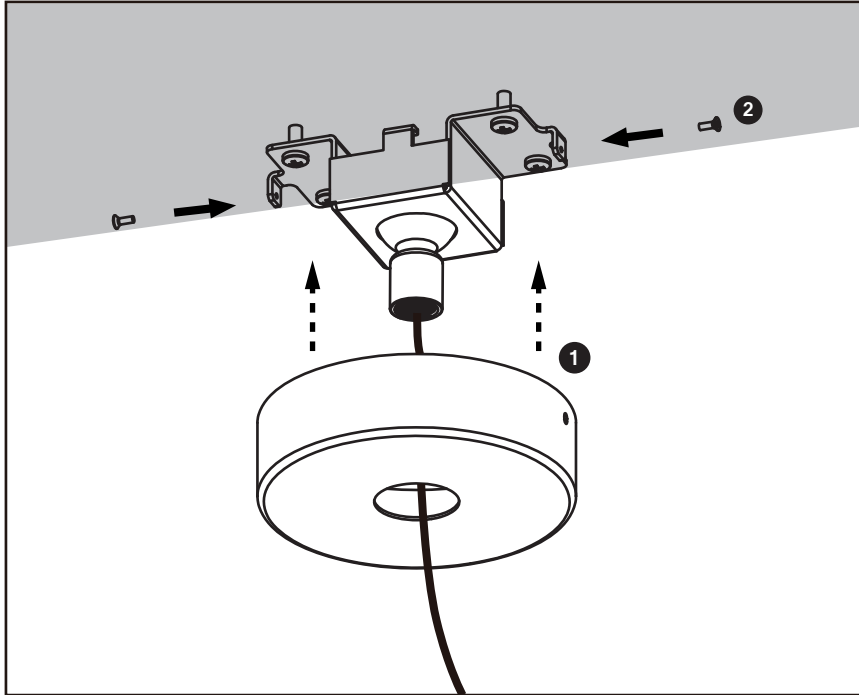
Thread AC wires through swivel ball and mounting plate.



Step 2

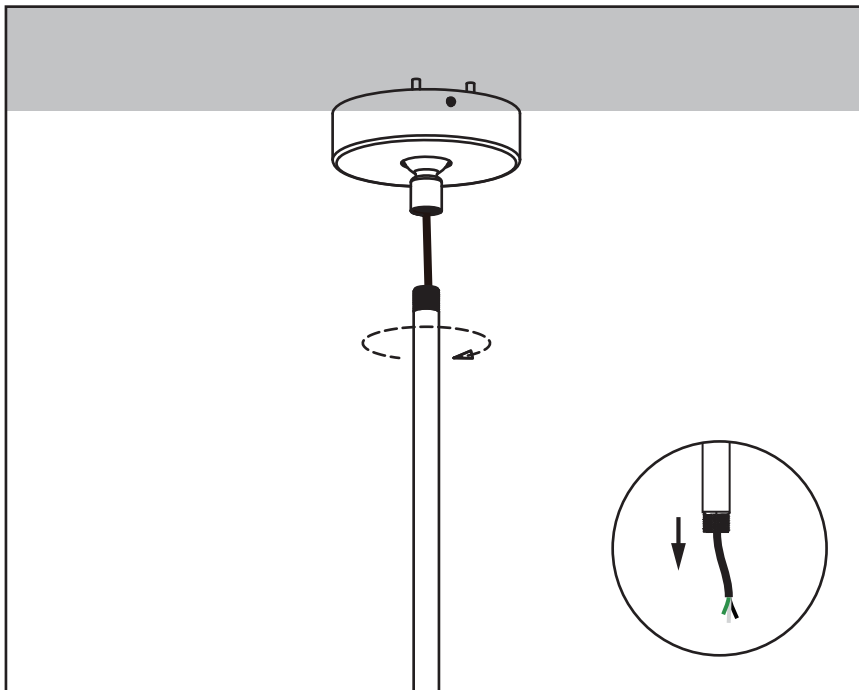
Mount the mounting plate and swivel ball onto flat surface using screws.

ADVANCED HIGH CEILING Reizen - 110L & 190L Stem Mount DMX



Step 3

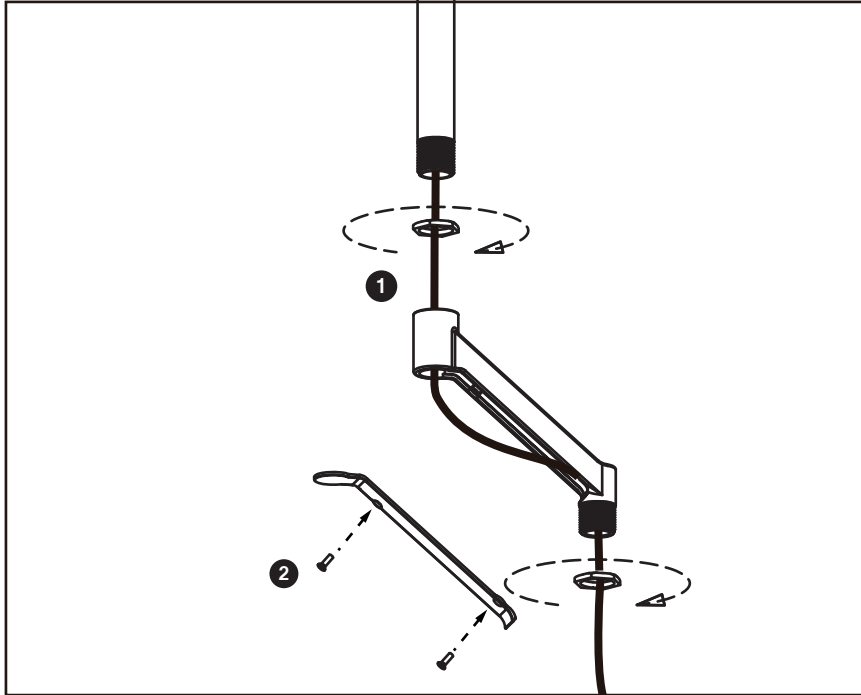
Mount canopy onto mounting plate and lock in place with canopy set screws.



Step 4

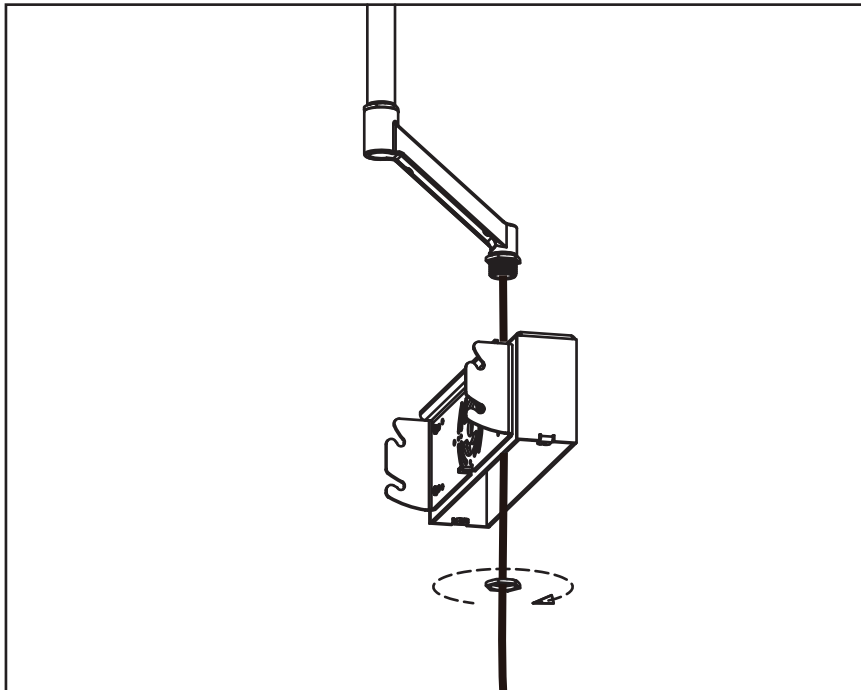
Thread AC wire through stem and fasten to swivel ball.

ADVANCED HIGH CEILING Reizen - 110L & 190L Stem Mount DMX



Step 5

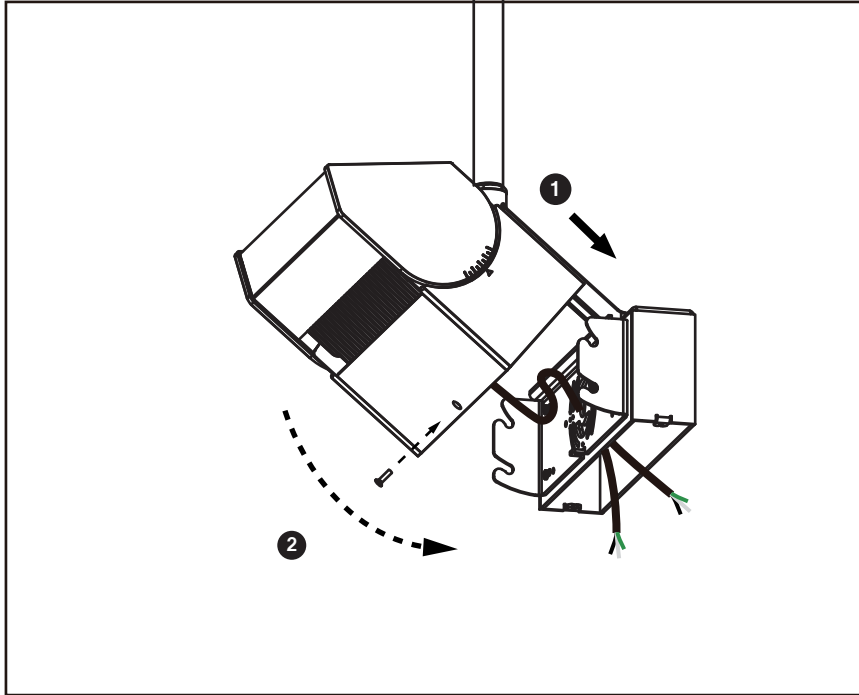
Thread AC wires through stem mount bracket before fastening hex nuts on lower stem and stem mount bracket. Cover stem mount bracket plate with the screws indicated.



Step 6

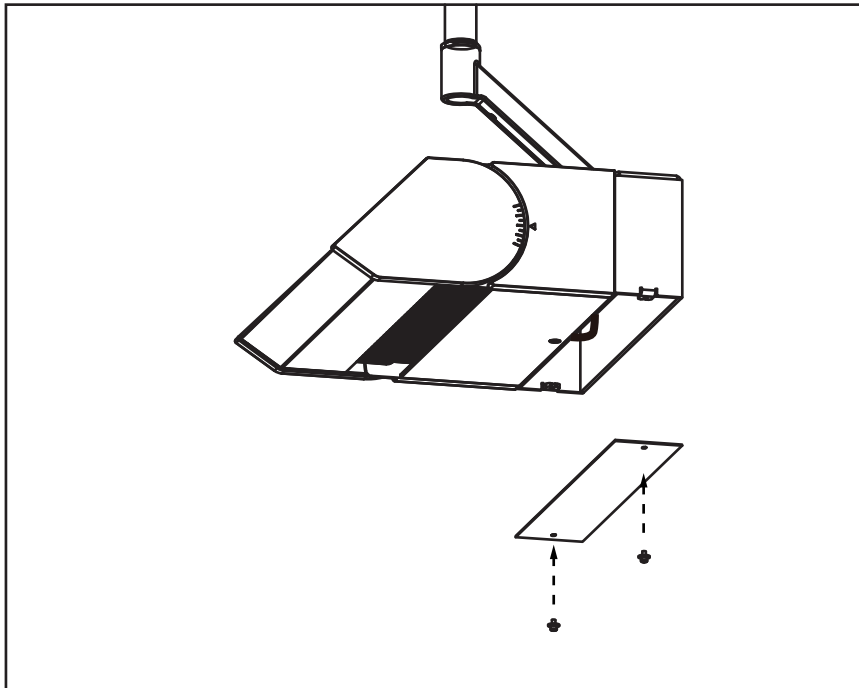
Lock in place the stem mount bracket with luminaire bracket using the hex nut provided.

ADVANCED HIGH CEILING Reizen - 110L & 190L Stem Mount DMX



Step 7

Thread luminaire wiring through bracket plate. Slip the luminaire at an angle over the lock-in grooves, and secure in place.



Step 8

Make electrical connections between AC wiring and luminaire wiring (Refer to wiring diagram for more details). Cover electrical wiring with plate provided.

ADVANCED HIGH CEILING Reizen - 110L & 190L Stem Mount DMX



Wiring Diagram

