

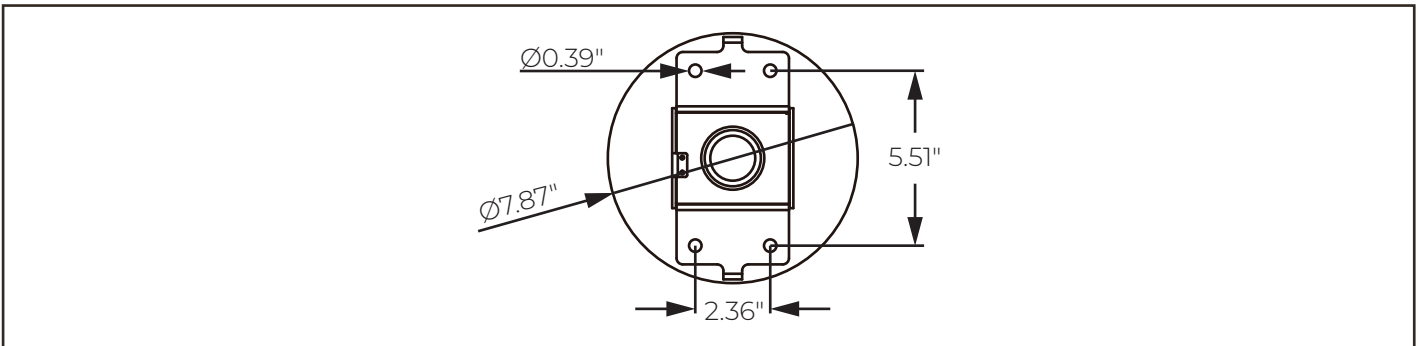
ADVANCED HIGH CEILING Reizen - 210L & 370L Stem Mount



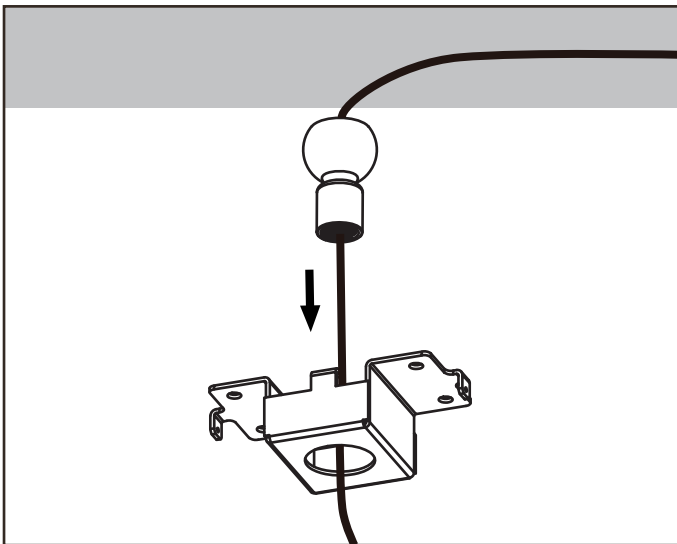
IMPORTANT SAFETY INFORMATION. READ AND FOLLOW ALL SAFETY INSTRUCTIONS

IMPORTANT SAFETY INFORMATION. READ AND FOLLOW ALL SAFETY INSTRUCTIONS. Before wiring to power supply and during servicing or relamping, turn off power at fuse or circuit breaker. All servicing or relamping must be performed by qualified service personnel. Product must be grounded to avoid potential electric shock or other potential hazard. Product must be at locations and at heights and in a manner consistent with its intended use, and in compliance with Electrical Code and local codes.

SAVE THESE INSTRUCTIONS FOR FUTURE REFERENCE.

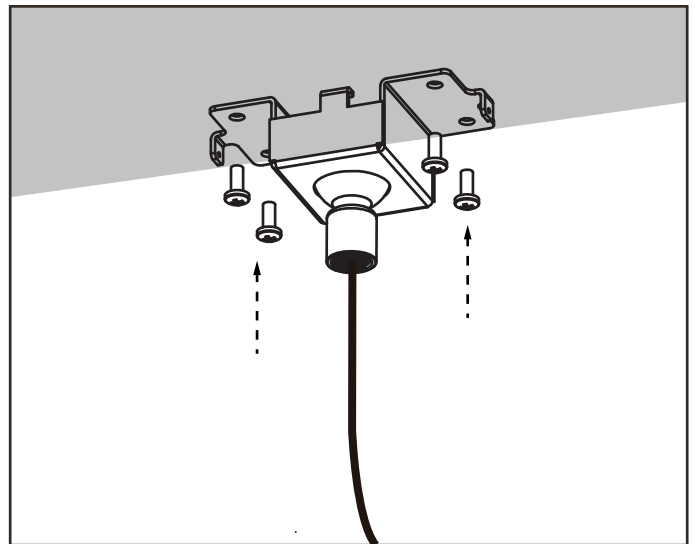


BRACKET DIMENSIONS



Step 1

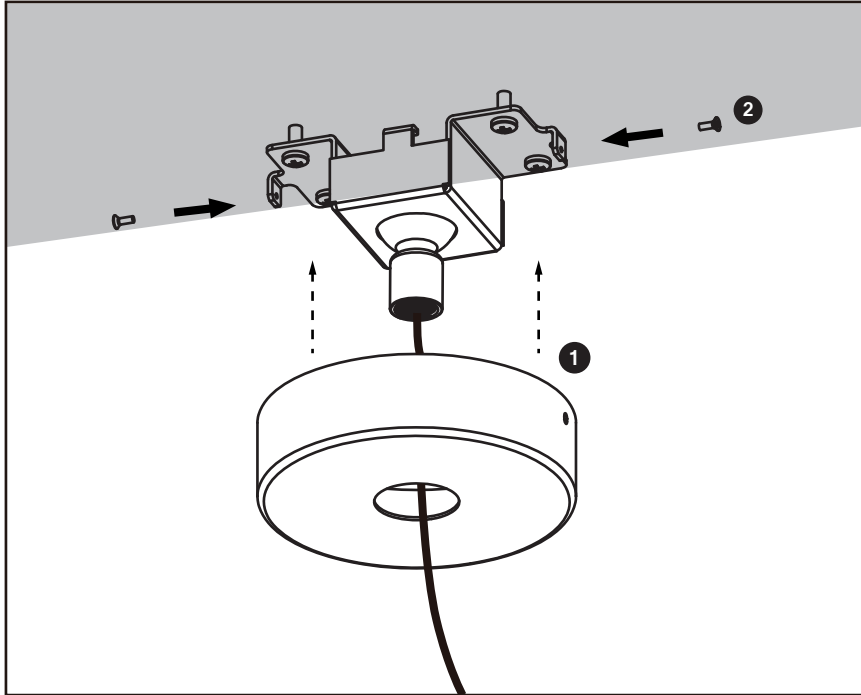
Thread AC wires through swivel ball and mounting plate.



Step 2

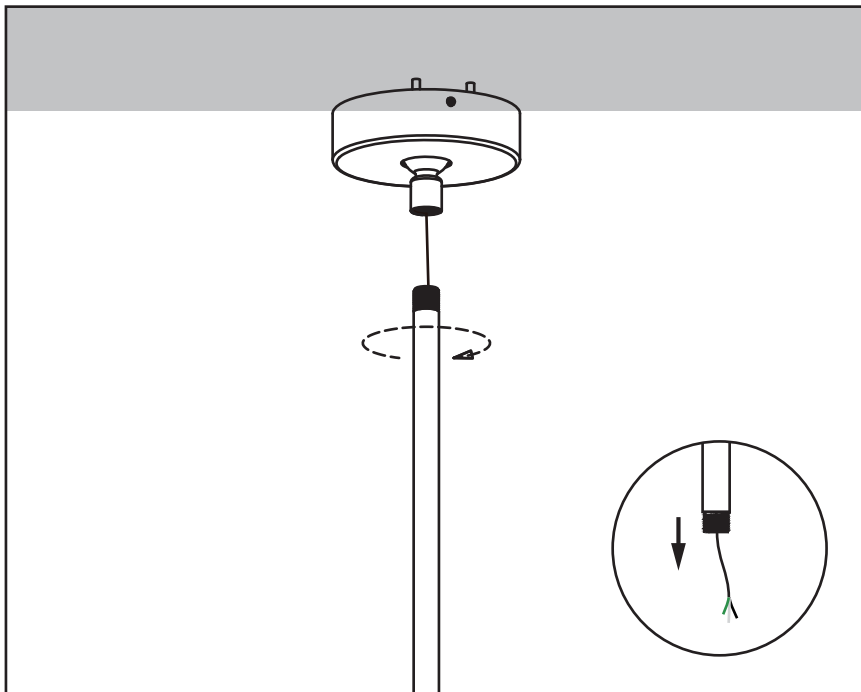
Mount the mounting plate and swivel ball onto flat surface using screws.

ADVANCED HIGH CEILING Reizen - 210L & 370L Stem Mount



Step 3

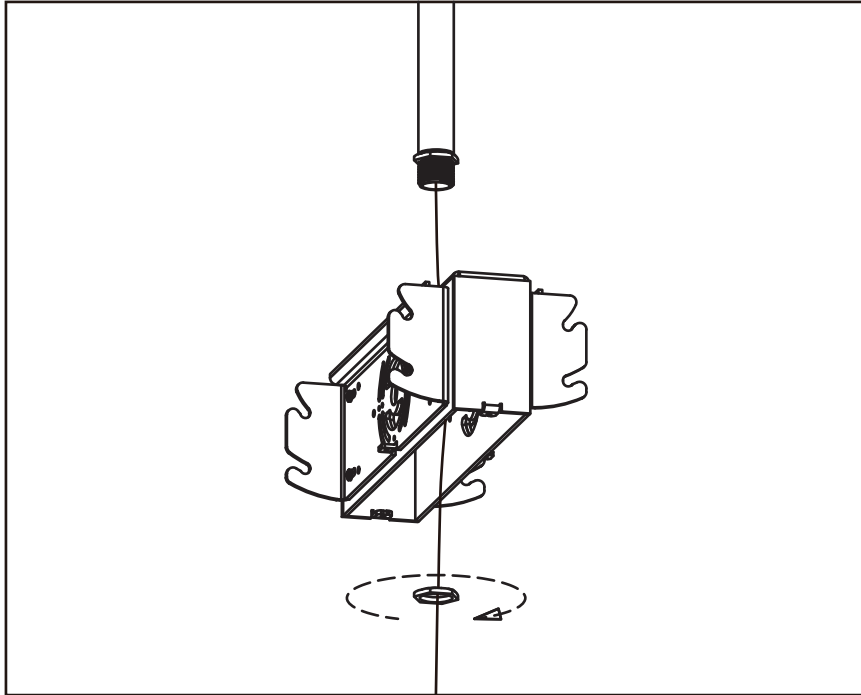
Mount canopy onto mounting plate and lock in place with canopy set screws.



Step 4

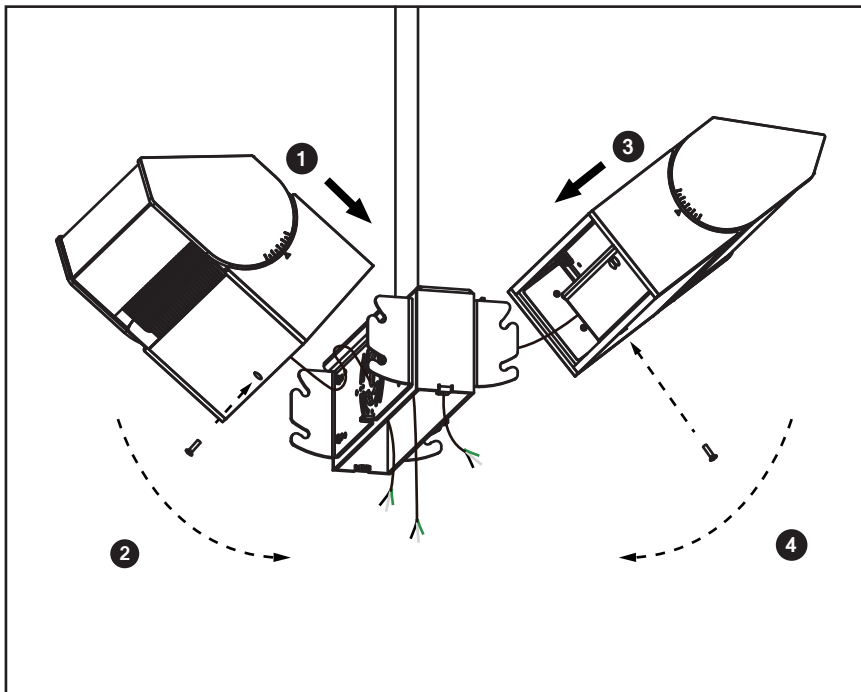
Thread AC wire through stem and fasten to swivel ball.

ADVANCED HIGH CEILING Reizen - 210L & 370L Stem Mount



Step 5

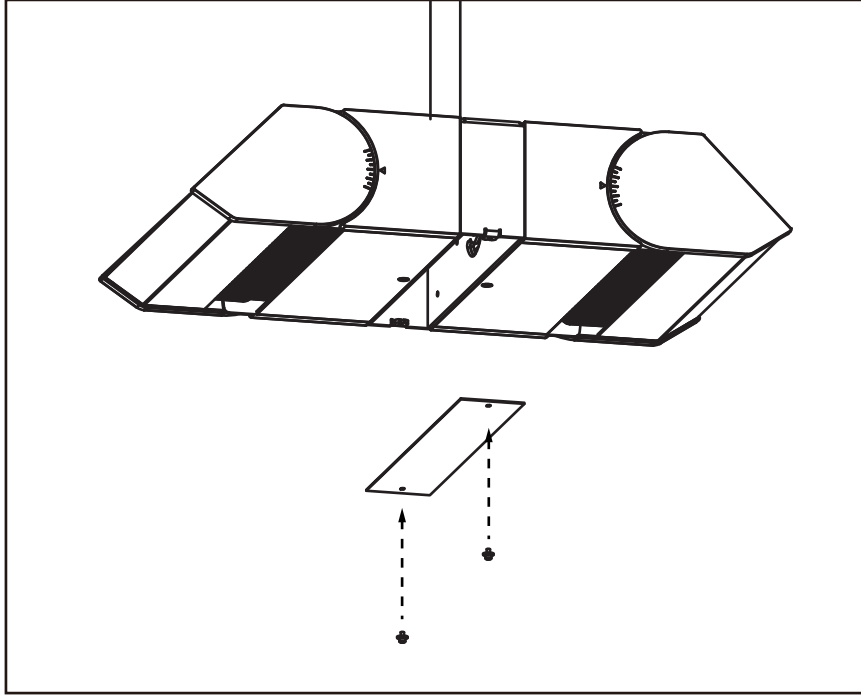
Lock in place the stem mount bracket with luminaire bracket using the hex nut provided.



Step 6

Thread both luminaire wiring through bracket plate. Slip the luminaire at an angle over the lock-in grooves, and secure in place.

ADVANCED HIGH CEILING Reizen - 210L & 370L Stem Mount



Step 7

Make electrical connections between AC wiring and luminaire wiring (Refer to wiring diagram for more details). Cover electrical wiring with plate provided.

Wiring Diagram

STV | 1 -10V Dimming down to 10%

