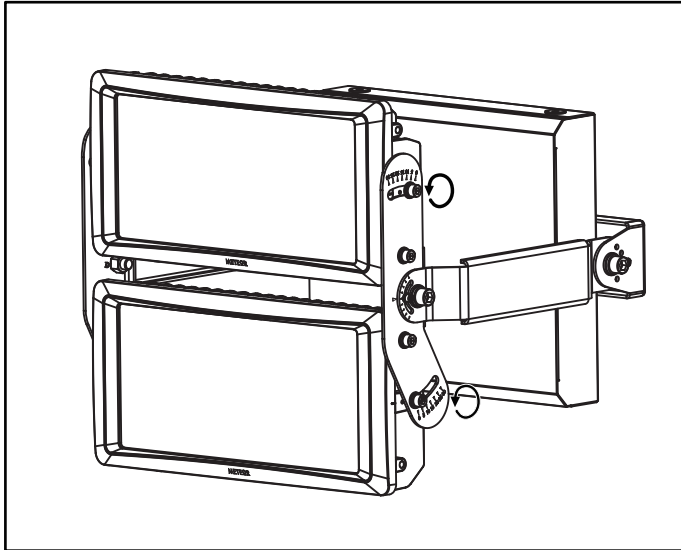
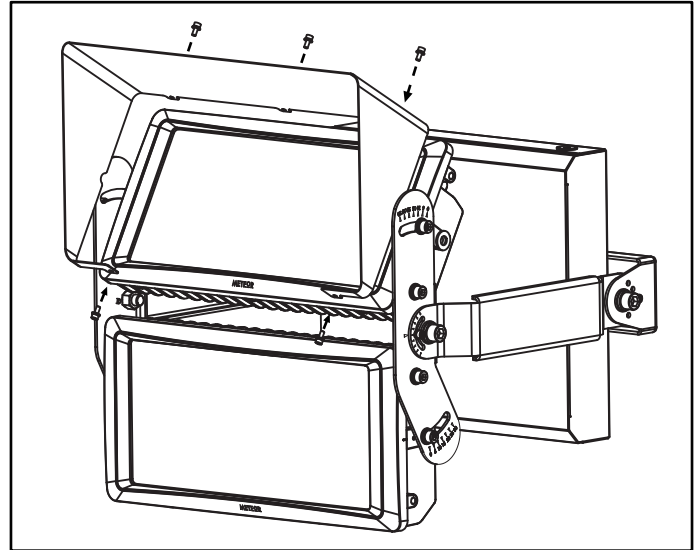


ADVANCED HIGH CEILING Bolt - Glare Shield Visor



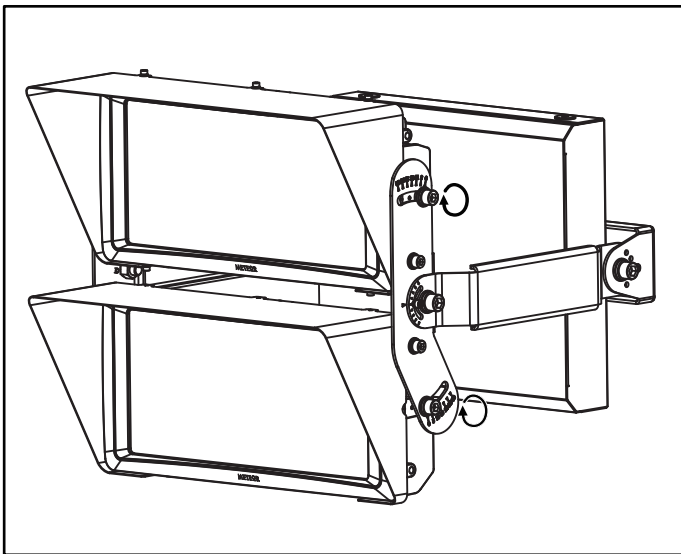
Step 1

Loosen the aiming bolts to unclasp the fixture.



Step 2

Tilt the lighthead module just enough to secure the Glare Shield Visor on top and below the module using the screws provided.



Step 3

Adjust the fixture back to the desired angle and tighten aiming bolts.